

SUMP & SEWAGE SUMP/EFFLUENT PUMPS

ESP50

Water Systems

Sump and Sewage

Lawn and Sprinkler

Electric Motor Driven

Engine Driven

Frame Mount

Hand Pumps

Irrigation and Industrial



ESP50AM

ESP50 SERIES SUBMERSIBLE EFFLUENT PUMP

SOLIDS HANDLING CAPABILITY - 3/4"

CONSTRUCTION - Rugged cast iron motor housing dissipates heat away from motor. Rugged corrosion resistant, molded polypropylene pump body.

MOTOR - 115 volt thermal overload protected, CSA approved continuous duty "oil free" motor. Stainless steel heat treated shaft. Carbon/Ceramic mechanical seal. Upper and lower ball bearings. 6.7 full load amps.

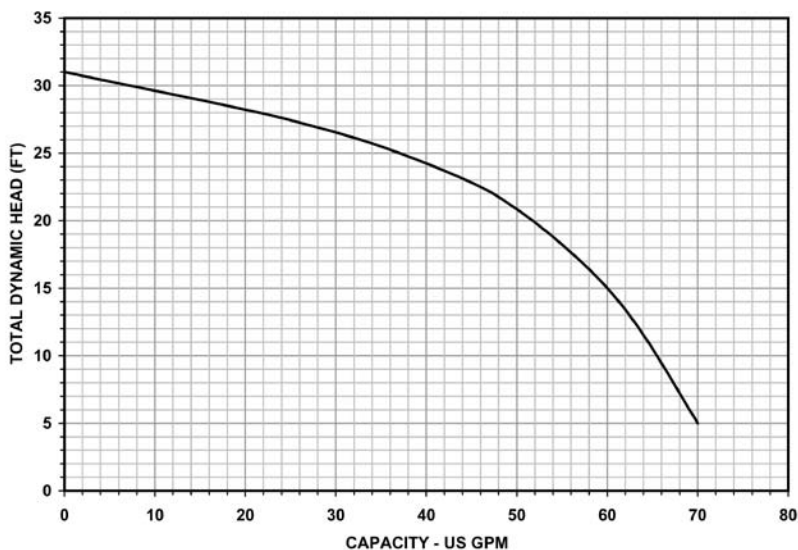
IMPELLER - Reinforced polypropylene, handles 3/4" spherical solids - with brass insert.

SWITCH - Automatic with piggy-back mercury free mechanical float switch or vertical float switch. Also available in manual operation.

POWER CORD - 20 ft. power cord.

DISCHARGE - 1 1/2" NPT.

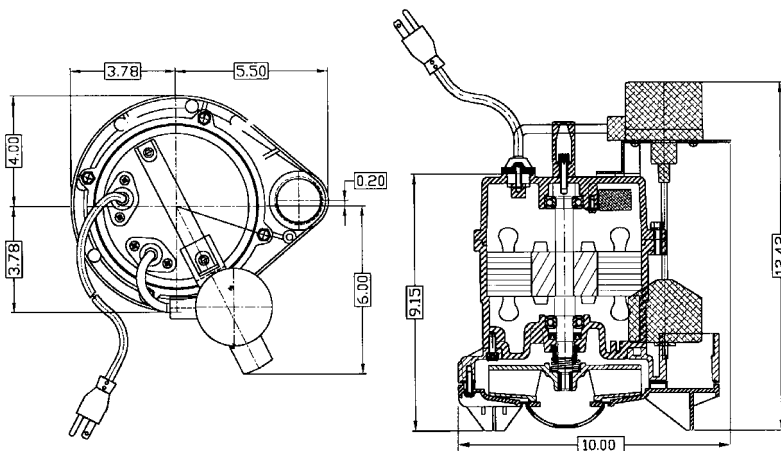
Performance



NEW!
2 Year
Warranty

PERFORMANCE CHART							
Model No.	Total Head in Feet						Shut-Off Head (ft.)
	5	10	15	20	25	30	
Capacities in U.S. GPM							
ESP50	-	-	61	51	36	2	31

Dimensions



SUBMERSIBLE SUMP/EFFLUENT PUMPS - 1 1/2"

Model No.	Order No.	SFA	HP	Ship Wt. (lbs.)	Description
ESP50AM	620187	6.7	1/2	24	Automatic, with piggy-back float switch and 20 ft. cord.
ESP50AV	620178	6.7	1/2	24	Automatic, with vertical float switch, 20ft cord.
ESP50M	620174	6.7	1/2	24	Manual, with 20 ft. power cord.