

# ELECTRIC MOTOR DRIVEN END SUCTION CENTRIFUGAL

## EPE SERIES

### CENTRIFUGAL PUMPS JM FRAME (3 HP - 15 HP)

**POWER** - 3600 RPM, single and three phase; JM motors.

**PORTS** - For air bleeding when priming; for draining to prevent frost damage.

**SHAFT FLINGER** - Combined with large drain hole in adapter bracket prevents moisture from damaging bearings.

**SEAL** - Viton with carbon-ni-resist mechanical seal for use in temperatures to 200°F. John Crane type 2.

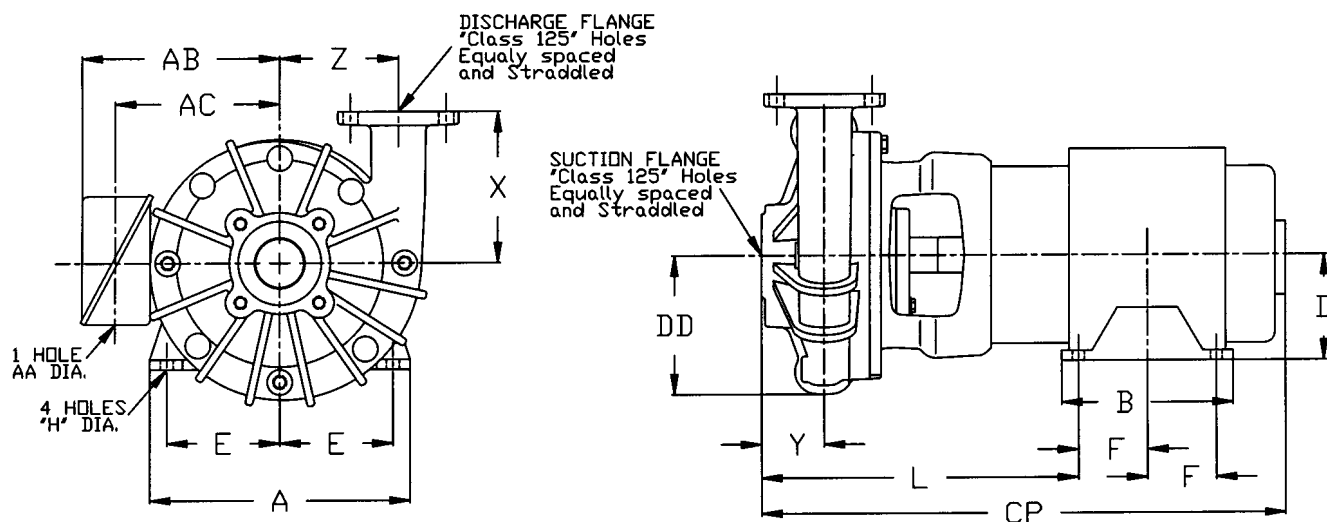
**CASING** - Ductile Iron. 250 PSI maximum working pressure.

**IMPELLER** - Bronze impeller (iron available).

**O-RING CASING SEAL** - For positive seal and ease of service. Pumps are bronze fitted with ODP motors.



### Dimensions



Model	HP	Flange		A	AA	AB	AC	B	CP	D	DD	E	F	H	L	X	Y	Z
		Suct.	Disch.															
EPE10K0H	3	1½"	1"	9.00	¾	8.12	6.48	5.75	17.44	4.50	4.90	3.75	2.25	13/32	10.25	6.50	2.47	4.12
	5			9.00	¾	8.12	6.48	5.75	17.44	4.50		3.75	2.25	13/32	10.25			
	7.5			9.00	¾	8.12	6.48	6.75	18.44	4.50		3.75	2.75	13/32	10.25			
EPE12K1H	5	1½"	1¼"	9.00	¾	8.12	6.48	5.75	17.85	4.50	5.30	3.75	2.25	13/32	10.66	6.50	3.10	4.62
	7.5			9.00	¾	8.12	6.48	6.75	18.85	4.50		3.75	2.75	13/32	10.66			
	10			10.50	1	9.04	7.41	7.00	21.85	5.25		4.25	2.75	13/32	12.34			
EPE20K2H	7.5	3"	2"	9.00	¾	8.12	6.48	6.75	18.88	4.50	5.40	3.75	2.75	13/32	10.69	6.50	2.85	4.75
	10			10.50	1	9.04	7.41	7.00	21.26	5.25		4.25	2.75	13/32	12.38			
	15			10.50	1	9.04	7.41	8.50	22.76	5.25		4.25	3.50	13/32	12.38			
EPE25K3H	10	3"	2½"	10.50	1	9.04	7.41	7.00	21.95	5.25	5.80	4.25	2.75	13/32	13.06	7.50	3.55	4.94
	15			10.50	1	9.04	7.41	8.50	23.45	5.25		4.25	3.50	13/32	13.06			
EPE30K4H	15	4"	3"	10.50	1	9.04	7.41	8.50	23.45	5.25	6.10	4.25	3.50	13/32	13.06	7.50	3.60	5.12
EPE12M1H	7.5	2"	1¼"	9.00	¾	8.12	6.48	6.75	18.85	4.50	6.83	3.75	2.75	13/32	10.66	7.50	3.01	6.25
	10			10.50	1	9.04	7.41	7.00	21.22	5.25		4.25	2.75	13/32	12.34			
	15			10.50	1	9.04	7.41	8.50	22.72	5.25		4.25	3.50	13/32	12.34			

\*Dimensions measured in inches

EPE (JM)

Water Systems

Sump and Sewage

Lawn and Sprinkler

Electric Motor Driven

Engine Driven

Frame Mount

Hand Pumps

Irrigation and Industrial

# ELECTRIC MOTOR DRIVEN END SUCTION CENTRIFUGAL

EPE (JM)

For detailed performance curve and additional options, please refer to P. 86-107.

PERFORMANCE CHART														
Model	HP	Total Head in Feet												
		60	80	100	120	140	160	180	200	220	240	260	280	300
		Capacities in U.S. GPM												
EPE10K0H	3	87	77	65	37	-	-	-	-	-	-	-	-	-
	5	-	-	105	95	87	75	47	-	-	-	-	-	-
	7½	-	-	-	117	110	103	95	83	55	25	-	-	-
EPE12K1H	5	190	171	125	75	25	-	-	-	-	-	-	-	-
	7½	-	-	193	171	149	115	25	-	-	-	-	-	-
	10	-	-	-	-	190	170	149	120	60	-	-	-	-
EPE20K2H	7½	280	250	212	150	-	-	-	-	-	-	-	-	-
	10	-	305	279	260	187	50	-	-	-	-	-	-	-
	15	-	-	350	320	290	260	200	50	-	-	-	-	-
EPE25K3H	10	440	390	320	230	-	-	-	-	-	-	-	-	-
	15	-	500	440	280	230	200	-	-	-	-	-	-	-
EPE30K4H	15	640	570	495	400	100	-	-	-	-	-	-	-	-
EPE12M1H	7½	-	-	-	132	113	90	60	-	-	-	-	-	-
	10	-	-	-	167	155	132	120	100	75	25	-	-	-
	15	-	-	-	-	-	-	-	165	150	127	107	80	50

Water Systems

Sump and Sewage

Lawn and Sprinkler

Electric Motor Driven

Engine Driven

Frame Mount

Hand Pumps

Irrigation and Industrial

SINGLE PHASE - 1/60/230V				
Model No.	Order No.	HP	Ship Wt. (lbs.)	
EPE10K0HS-3BFOM1P	657000	3	167	
EPE10K0HS-5BFOM1P	657002	5	180	
EPE10K0HS-7.5BFOM1P	657004	7½	226	
EPE12K1HS-5BFOM1P	657006	5	182	
EPE12K1HS-7.5BFOM1P	657008	7½	228	
EPE12K1HS-10BFOM1P	657010	10	249	
EPE20K2HS-7.5BFOM1P	657012	7½	231	
EPE20K2HS-10BFOM1P	657014	10	252	
EPE25K3HS-10BFOM1P	657017	10	254	
EPE12M1HS-7.5BFOM1P	657021	7½	245	
EPE12M1HS-10BFOM1P	657023	10	265	

3 PHASE - 3/60/208-230/460V				
Model No.	Order No.	HP	Ship Wt. (lbs.)	
EPE10K0HS-3BFOM3P	657001	3	144	
EPE10K0HS-5BFOM3P	657003	5	154	
EPE10K0HS-7.5BFOM3P	657005	7½	209	
EPE12K1HS-5BFOM3P	657007	5	156	
EPE12K1HS-7.5BFOM3P	657009	7½	211	
EPE12K1HS-10BFOM3P	657011	10	215	
EPE20K2HS-7.5BFOM3P	657013	7½	214	
EPE20K2HS-10BFOM3P	657015	10	218	
EPE20K2HS-15BFOM3P	657016	15	238	
EPE25K3HS-10BFOM3P	657018	10	220	
EPE25K3HS-15BFOM3P	657019	15	240	
EPE30K4HS-15BFOM3P	657020	15	246	
EPE12M1HS-7.5BFOM3P	657022	7½	190	
EPE12M1HS-10BFOM3P	657024	10	235	
EPE12M1HS-15BFOM3P	657025	15	245	