

# Magnetic Drive Gear Pump



**Series 5000** For a pump that can handle your

toughest fluid handling needs without taking up

too much space, think Micropump's Series

5000. This cavity style gear pump always

provides smooth, pulseless delivery

and leak-free operation, with a high

system pressure version available that

can withstand system pressures to 103

Bar (1500 psi). Series 5000 pumps feature a

compact size that delivers rugged, reliable performance for any high

precision pumping need. Trust the proven reliability of Series 5000 gear pumps.



## Small Size

The smaller package size of the Series 5000 delivers performance that is usually found only in much larger pumps.

## Leak-Free

The magnetic drive and O-ring seals keep the fluid securely inside the pump and potential contaminants out.

## Smooth Pulseless Delivery

Positive displacement, helical gears provide smooth, accurate fluid delivery that is proportional to motor speed.

## Chemically Resistant

An extensive range of wetted material options ensure compatibility with a wide range of chemicals.

## Easy to Service

Series 5000 pumps are easy to service using a Micropump service kit and simple hand tools.

## Wide Range of Options

Product design offers the flexibility to configure the product to your specific needs. Some options include:

- Three standard gear sizes
- Multiple gear, body, and O-ring materials
- Optional high torque magnets
- Special bushing materials
- NEMA and IEC drive mounts

## Advanced Pump Technology

Micropump uses the latest engineering tools and manufacturing equipment to produce the most advanced pumping solutions available. Products are developed using state-of-the-art CAD, Finite Element Analysis (FEA), and rapid prototyping tools. Precision CMM and CNC manufacturing equipment ensure the highest level of product quality.

## Proven Reliability

Over 40 years of experience solving the most difficult pumping problems go into the design and manufacture of every Micropump pump, ensuring the most reliable pumping solution available.

## OEM Configurations

Series 5000 pumps can be customized to meet your individual requirements.

## High System Pressure Capability

Optional versions of the Series 5000 are designed to withstand system pressures up to 103 Bar (1500 psi).



# SERIES 5000

# SERIES 5000

# Magnetic Drive Gear Pump

## Performance Summary

Flow Rate			
at 1750 rpm			
13.5 L/min		3.6 gpm	
Displacement (ml/rev)			
Gear Set	H21	H23	H25
ml/rev	4.6	6.2	7.7
Maximum Differential Pressure			
8.7 Bar		125 psi	
Maximum System Pressure			
103 Bar		1500 psi	
Temperature Range			
-46 to 121° C		-50 to 250° F	
Viscosity Range		Maximum Speed	
0.2 to 2500 cps		3450 rpm	

## Pump Construction

- Magnetic drive gear pump
- Cavity style
- Helical, shafted gears
- Sleeve bushings
- O-ring seals

## Wetted Materials

- Base material
  - 316 stainless steel
  - Alloy 20
  - Titanium
  - Hastelloy C-276®
  - Hastelloy B-2®
- Gears
  - Teflon®
  - PEEK
- Static seals
  - Viton®
  - Ethylene propylene
  - Buna N
  - Teflon
  - Kalrez®

## Magnets

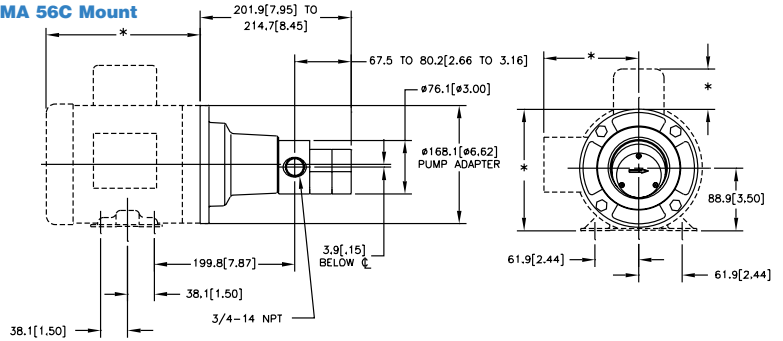
- Driven and driving
  - Ferrite
  - Rare earth

## Product Enhancements

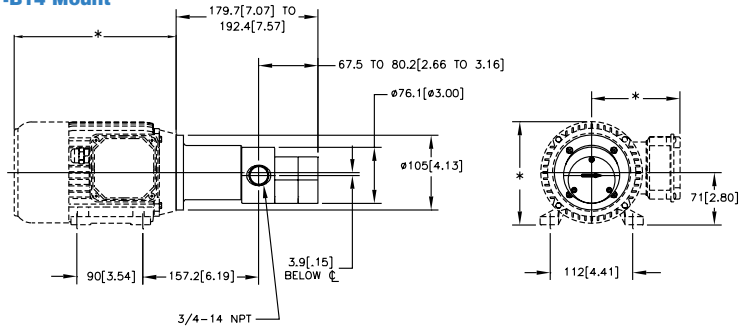
- High system pressure
- Carbon bushings
- Hardened shafts
- ANSI flanges
- 1/2–14 NPT ports

## Dimensions

### NEMA 56C Mount

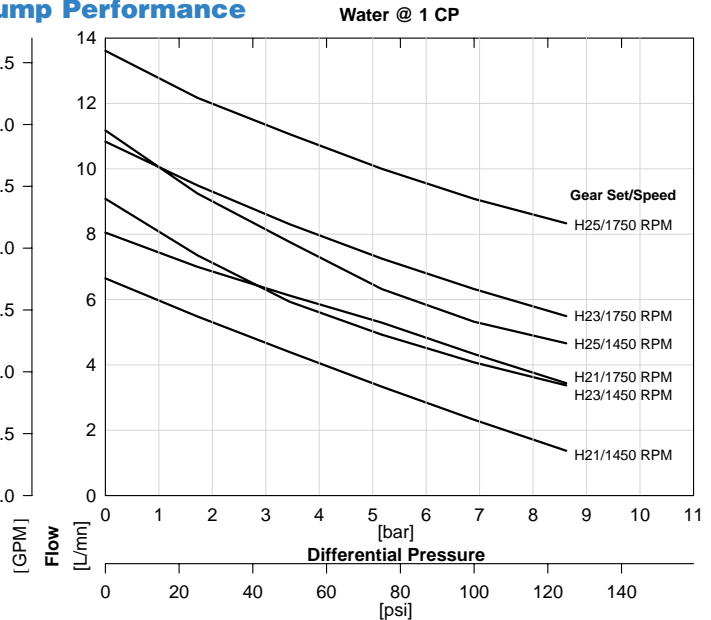


### IEC 71-B14 Mount

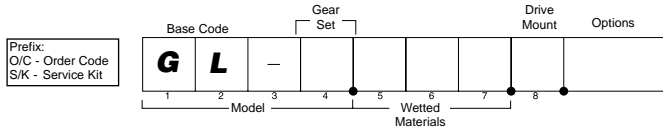


Units: mm[in]. Nominal dimensions shown.

## Pump Performance



## Order Code



ACTUAL PERFORMANCE MAY VARY

Specifications are subject to change without notice.

©2001 Micropump, Inc., A Unit of IDEX Corporation. Micropump and the Micropump logo are registered trademarks of Micropump, Inc. All other trademarks belong to their respective owners.

TT2752MPV-05/2001

## MICROPUMP, INC.

A Unit of IDEX Corporation  
 Phone: (360) 253-2008 • (800) 671-6269  
 Fax: (360) 253-2401 • (800) 222-9565

## MICROPUMP LIMITED

A Subsidiary of Micropump, Inc.  
 Phone: + 44 (0) 1480 356900  
 Fax: + 44 (0) 1480 356920

info@micropump.com  
 www.micropump.com

