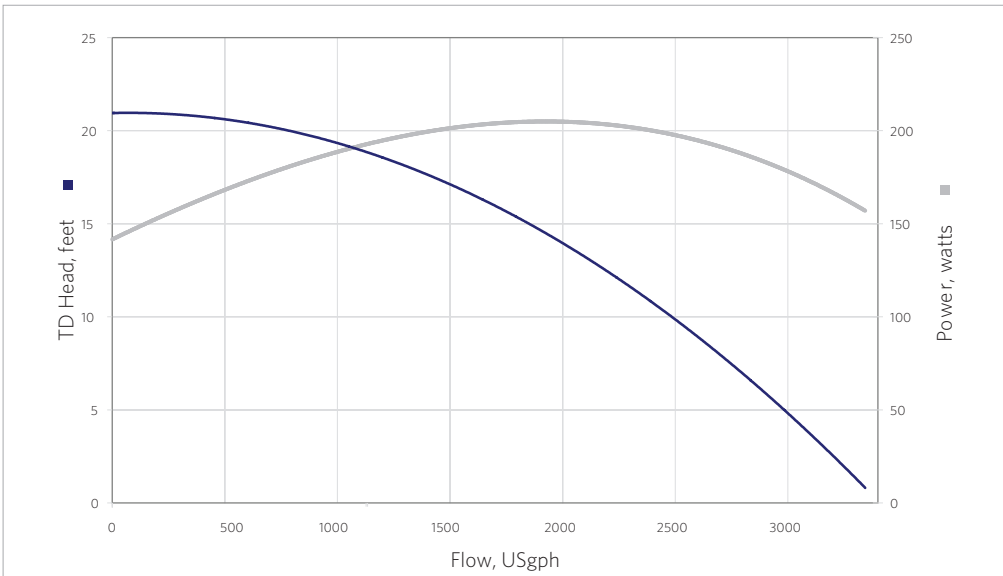
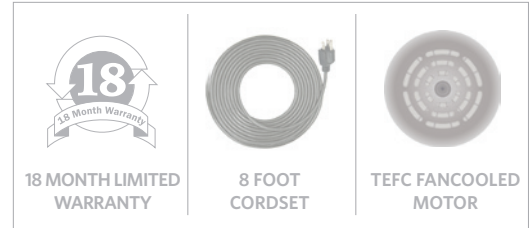


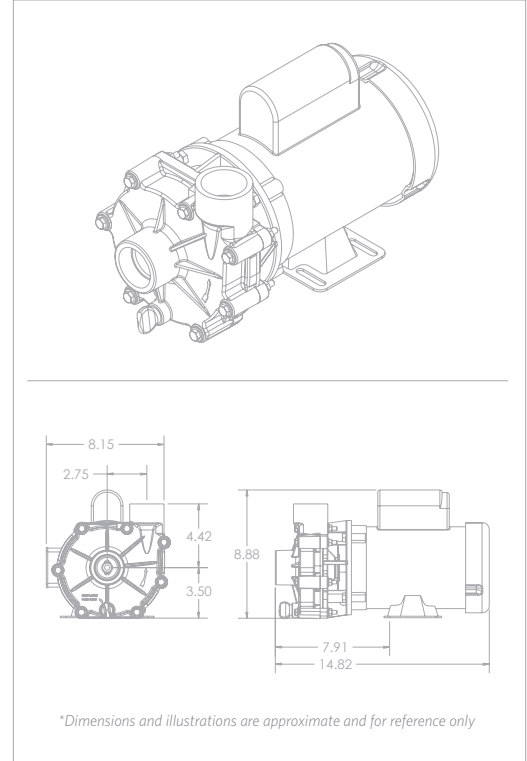
ValuFlo® 1000 Series - Model 3300VAF21

The ValuFlo® 1000 series has set the standard by which all others are measured. It's a perfect blend of medium pressure and ample flow for the majority of ponds. The motor is totally-enclosed, fan-cooled for durability. 115V or 230V. Supplied with an 8-foot, 115V cordset. 18 month limited warranty. Made in USA.

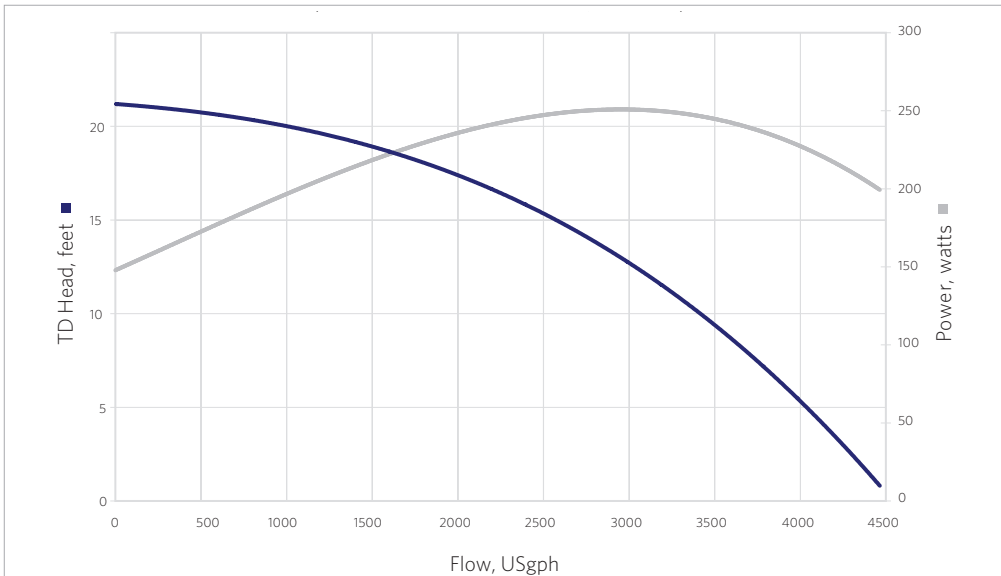


Flow At Total Dynamic Head	4'	8'	12'	16'	20'
GPM	51	45	38	28	13
GPH	3060	2700	2280	1680	780

MODEL	3300VAF21
INLET	1.5"
DISCHARGE	1.5"
MAX FLOW (gph)	3300
MAX HEAD (feet)	21'
MAX POWER (watts)	215
MAX CURRENT (amps)	1.90
@ (volts)	115/230
MOTOR HP	1/8, 1/4, 1/6, 1/8
MOTOR TYPE	56J
MOTOR ENCLOSURE	TEFC
IMPELLER	4

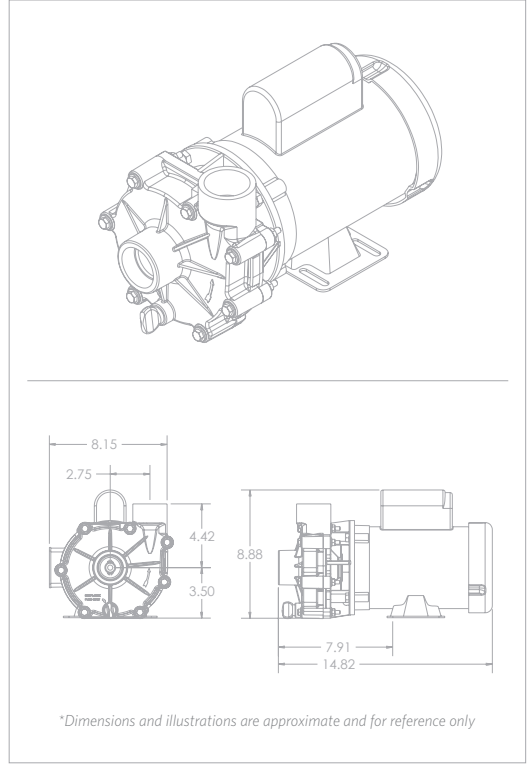

ValuFlo® 1000 Series - Model 4500VAF21

The ValuFlo® 1000 series has set the standard by which all others are measured. It's a perfect blend of medium pressure and ample flow for the majority of ponds. The motor is totally-enclosed, fan-cooled for durability. 115V or 230V. Supplied with an 8-foot, 115V cordset. 18 month limited warranty. Made in USA.

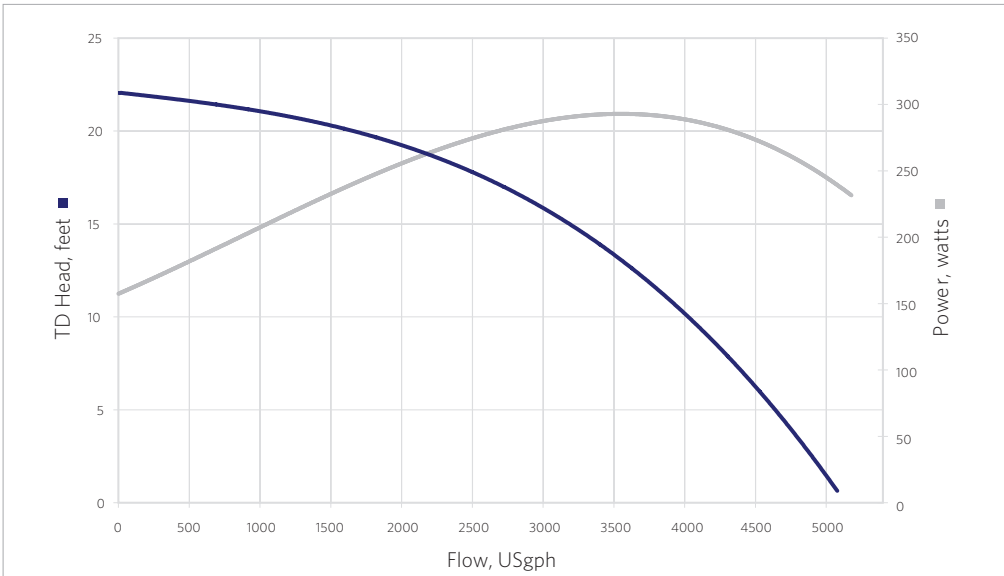


Flow At Total Dynamic Head	4'	8'	12'	16'	20'
GPM	69	61	53	40	17
GPH	4140	3660	3180	2400	1020

MODEL	4500VAF21
INLET	1.5"
DISCHARGE	1.5"
MAX FLOW (gph)	4500
MAX HEAD (feet)	21'
MAX POWER (watts)	253
MAX CURRENT (amps)	2.20
@ (volts)	115/230
MOTOR HP	1/3, 1/4, 1/6, 1/8
MOTOR TYPE	56J
MOTOR ENCLOSURE	TEFC
IMPELLER	5

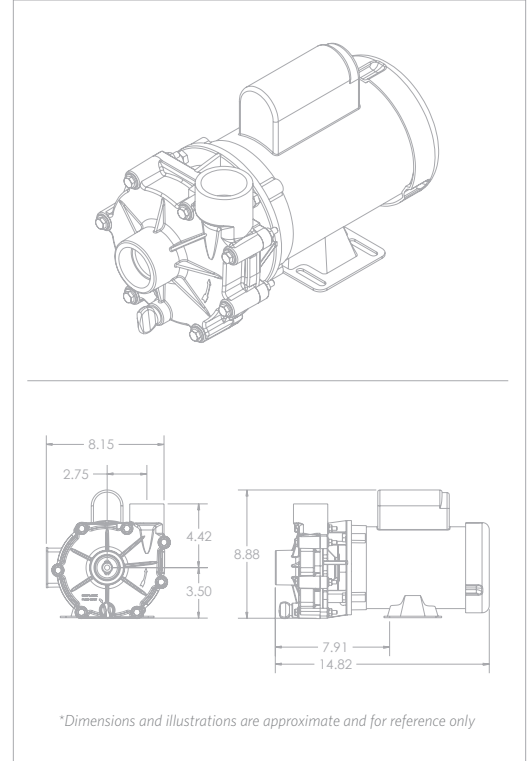

ValuFlo® 1000 Series - Model 5100VAF22

The ValuFlo® 1000 series has set the standard by which all others are measured. It's a perfect blend of medium pressure and ample flow for the majority of ponds. The motor is totally-enclosed, fan-cooled for durability. 115V or 230V. Supplied with an 8-foot, 115V cordset. 18 month limited warranty. Made in USA.

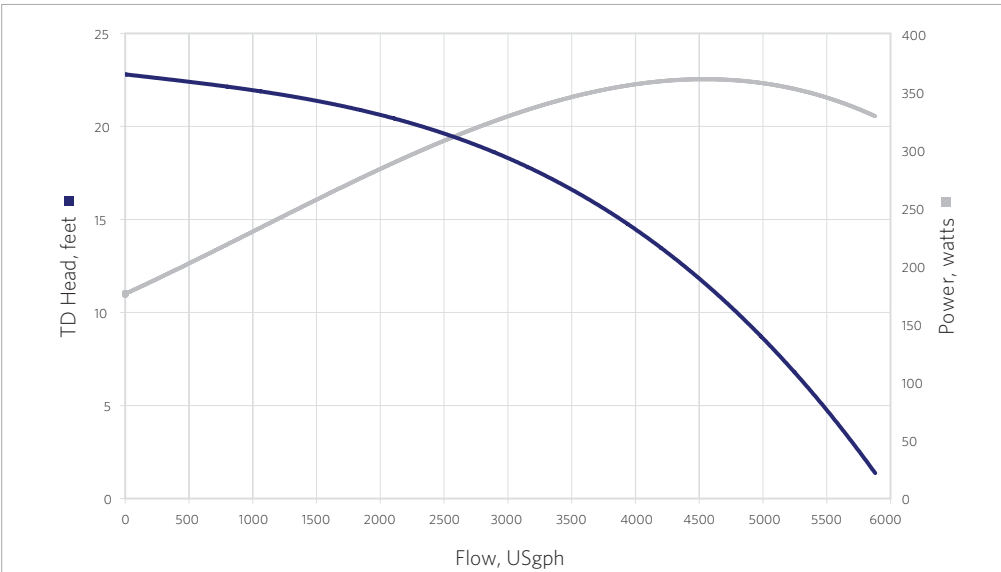


Flow At Total Dynamic Head	4'	8'	12'	16'	20'
GPM	79	71	63	50	28
GPH	4740	4260	3780	3000	1680

MODEL	5100VAF22
INLET	1.5"
DISCHARGE	1.5"
MAX FLOW (gph)	5100
MAX HEAD (feet)	22'
MAX POWER (watts)	293
MAX CURRENT (amps)	2.60
@ (volts)	115/230
MOTOR HP	1/3, 1/4, 1/6, 1/8
MOTOR TYPE	56J
MOTOR ENCLOSURE	TEFC
IMPELLER	6


ValuFlo® 1000 Series - Model 6100VAF23

The ValuFlo® 1000 series has set the standard by which all others are measured. It's a perfect blend of medium pressure and ample flow for the majority of ponds. The motor is totally-enclosed, fan-cooled for durability. 115V or 230V. Supplied with an 8-foot, 115V cordset. 18 month limited warranty. Made in USA.



Flow At Total Dynamic Head	4'	8'	12'	16'	20'
GPM	93	85	75	60	40
GPH	5580	5100	4500	3600	2400

MODEL	6100VAF23
INLET	1.5"
DISCHARGE	1.5"
MAX FLOW (gph)	6100
MAX HEAD (feet)	23'
MAX POWER (watts)	344
MAX CURRENT (amps)	3.00
@ (volts)	115/230
MOTOR HP	1/3, 1/4, 1/6, 1/8
MOTOR TYPE	56J
MOTOR ENCLOSURE	TEFC
IMPELLER	7