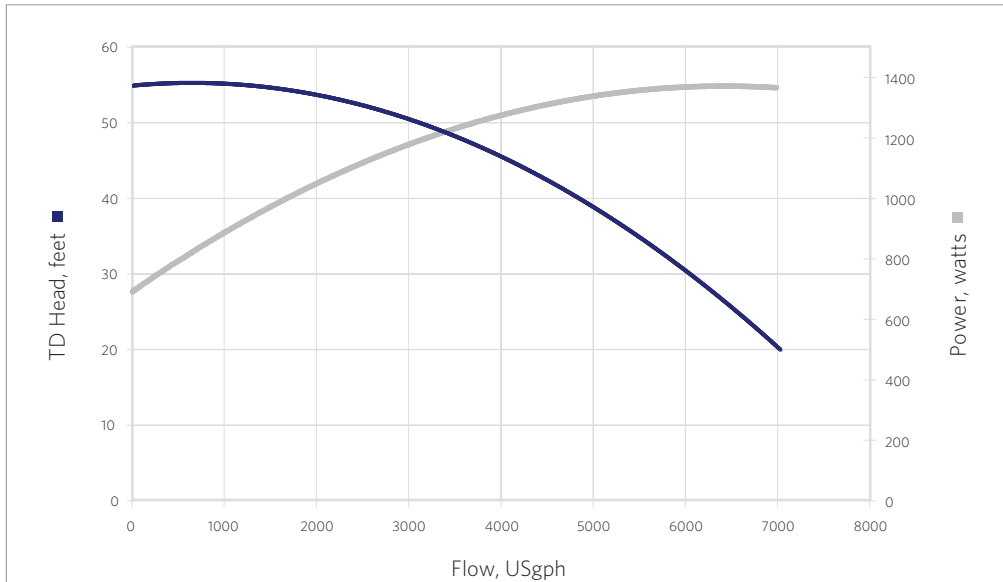


*Dimensions and illustrations are approximate and for reference only.

Sequence® Power 1000 Series - Model 8500PWR55

For the application that demands high performance, we offer the Sequence® Power 1000 Series with abundant flow and pressure. The Power 1000 puts the horsepower and efficiency into the pressure side of the performance requirement but maintains flow rates that will meet the most challenging of scenarios.



Flow At Total Dynamic Head	10'	20'	30'	40'	50'
GPM	130	118	100	80	53
GPH	7800	7080	6000	4800	3180



5 YEAR LIMITED WARRANTY



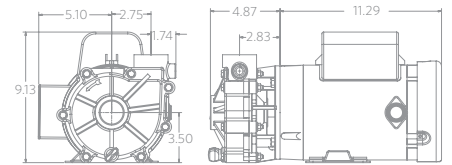
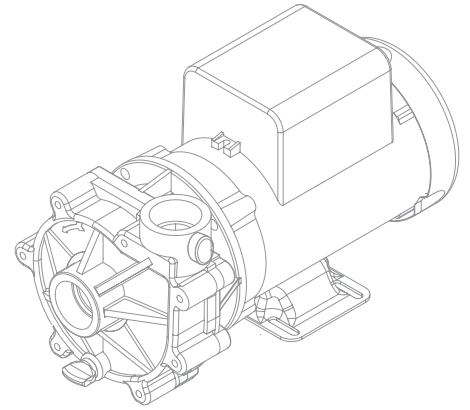
8 FOOT CORD SET



TEFC FAN COOLED MOTOR

MODEL	8500PWR55
INLET	1.5"
DISCHARGE	1.5"
MAX FLOW (gph)	8500
MAX HEAD (feet)	55'
MAX POWER (watts)	1385
MAX CURRENT (amps)	5.38
@ (volts)	230
MOTOR HP	1.5
MOTOR TYPE	56J
MOTOR ENCLOSURE	TEFC
IMPELLER	6T-3.85"

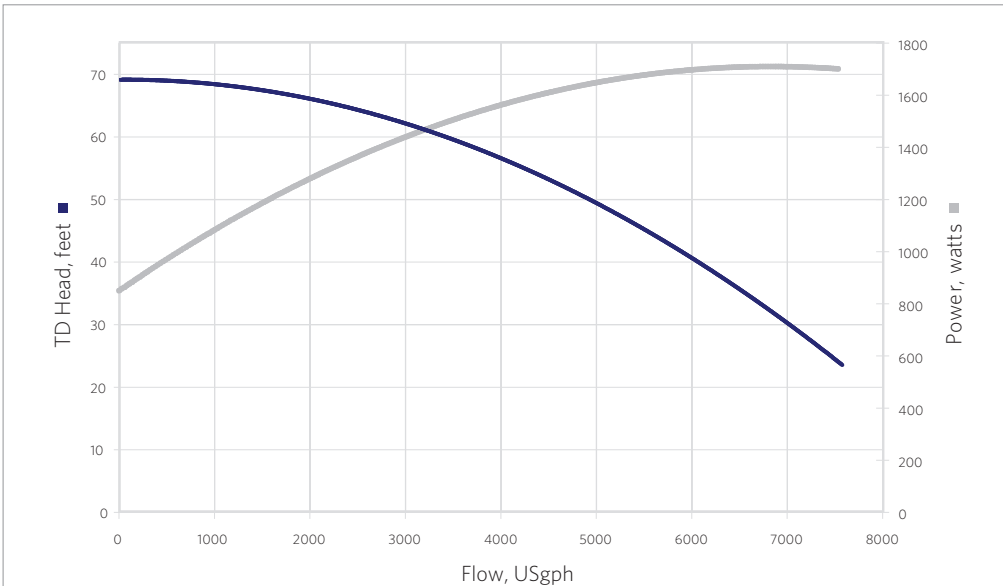




*Dimensions and illustrations are approximate and for reference only.

Sequence® Power 1000 Series - Model 9200PWR69

For the application that demands high performance, we offer the Sequence® Power 1000 Series with abundant flow and pressure. The Power 1000 puts the horsepower and efficiency into the pressure side of the performance requirement but maintains flow rates that will meet the most challenging of scenarios.



Flow At Total Dynamic Head	10'	20'	30'	40'	50'
GPM	143	130	117	100	81
GPH	8580	7800	7020	6000	4860



5 YEAR LIMITED WARRANTY



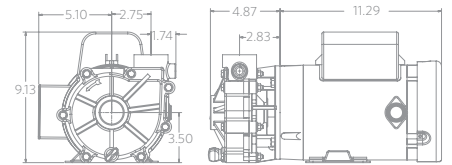
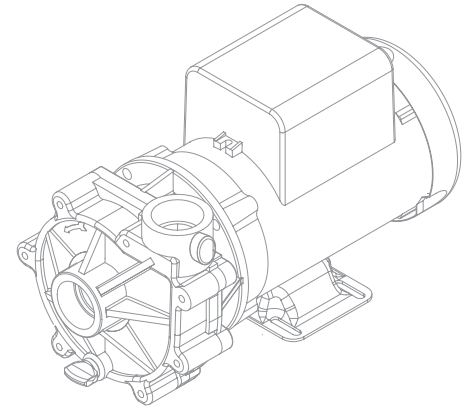
8 FOOT CORD SET



TEFC FAN COOLED MOTOR

MODEL	9200PWR69
INLET	1.5"
DISCHARGE	1.5"
MAX FLOW (gph)	9200
MAX HEAD (feet)	69'
MAX POWER (watts)	1744
MAX CURRENT (amps)	6.82
@ (volts)	230
MOTOR HP	1.5
MOTOR TYPE	56J
MOTOR ENCLOSURE	TEFC
IMPELLER	6T- 4.25"

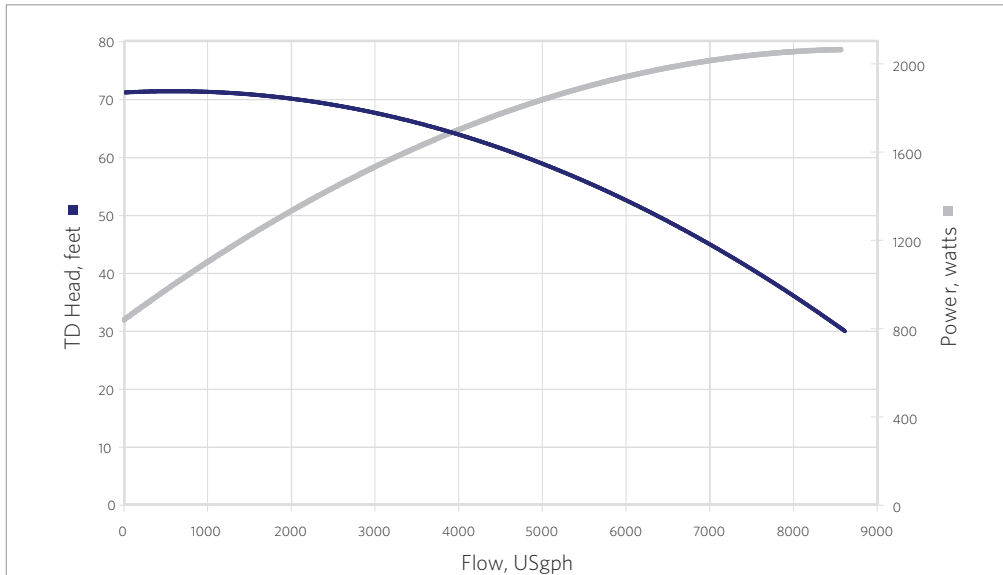




*Dimensions and illustrations are approximate and for reference only.

Sequence® Power 1000 Series - Model 11000PWR72

For the application that demands high performance, we offer the Sequence® Power 1000 Series with abundant flow and pressure. The Power 1000 puts the horsepower and efficiency into the pressure side of the performance requirement but maintains flow rates that will meet the most challenging of scenarios.



Flow At Total Dynamic Head	10'	20'	30'	40'	50'
GPM	173	159	144	125	105
GPH	10380	9540	8640	7500	6300



5 YEAR LIMITED WARRANTY



8 FOOT CORD SET



TEFC FAN COOLED MOTOR

MODEL	11000PWR72
INLET	1.5"
DISCHARGE	1.5"
MAX FLOW (gph)	11000
MAX HEAD (feet)	72'
MAX POWER (watts)	2056
MAX CURRENT (amps)	8.58
@ (volts)	230
MOTOR HP	2
MOTOR TYPE	56J
MOTOR ENCLOSURE	TEFC
IMPELLER	7T- 4.21"

