

REPAIR PART SELECTION GUIDE

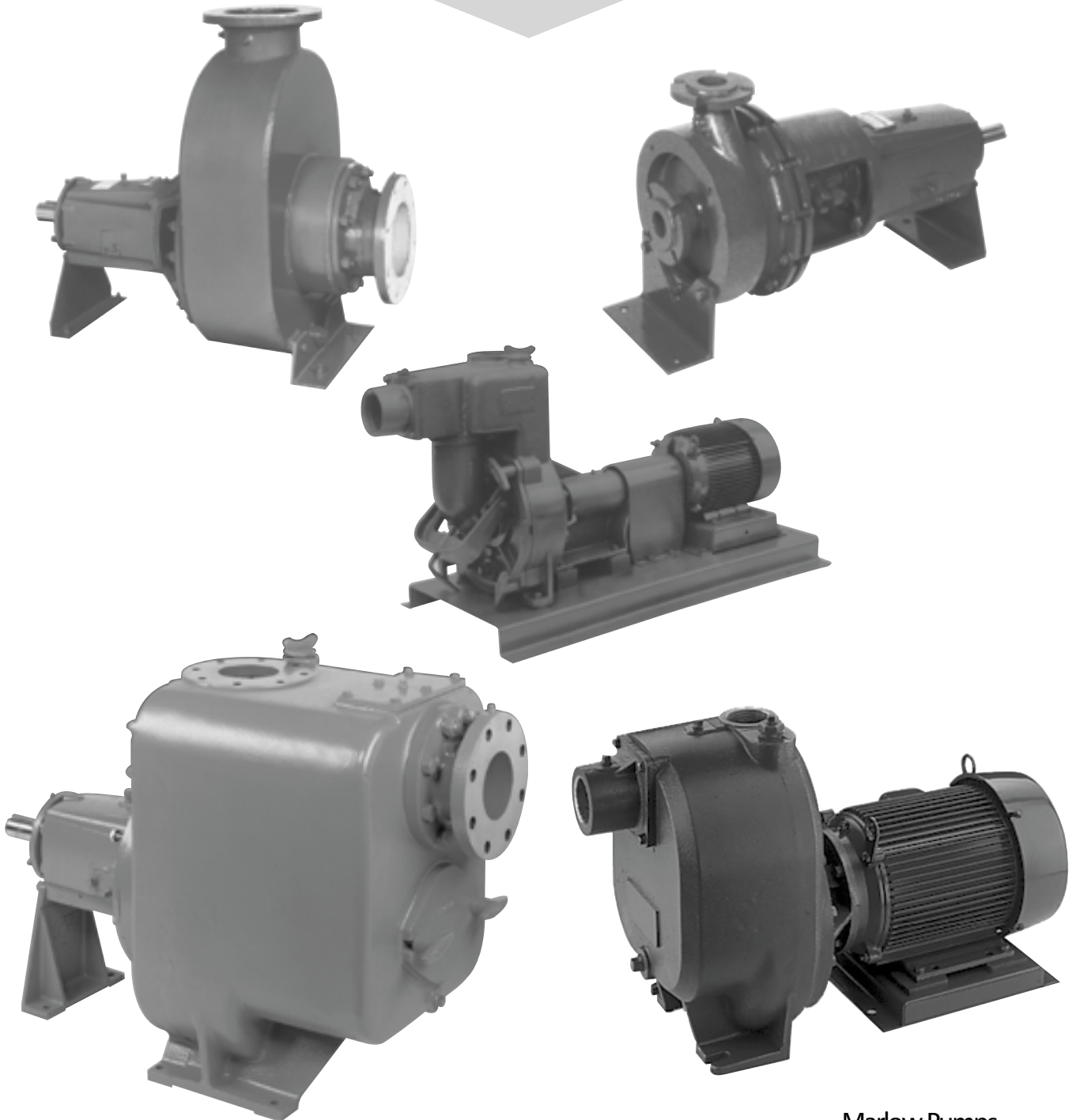


TABLE OF CONTENTS

Catalog Section 200 2AM32 3

Catalog Section 200P 2AM32-P 4

Mighty Lite Trash Pumps 5

Catalog Section 245 Prime Line 7

Catalog Section 250 High Capacity Prime Line 12

Catalog Section 265 Trash Hog II 18

Catalog Section 270 Trash Hog I 28

Catalog Section 275 20EVP 34

Catalog Section 625 Whirlflo Vortex 44

Catalog Section 400 Stainless Steel Prime Line 56

Repair Part Prices are in price book PMSPP.

MODEL 2AM32

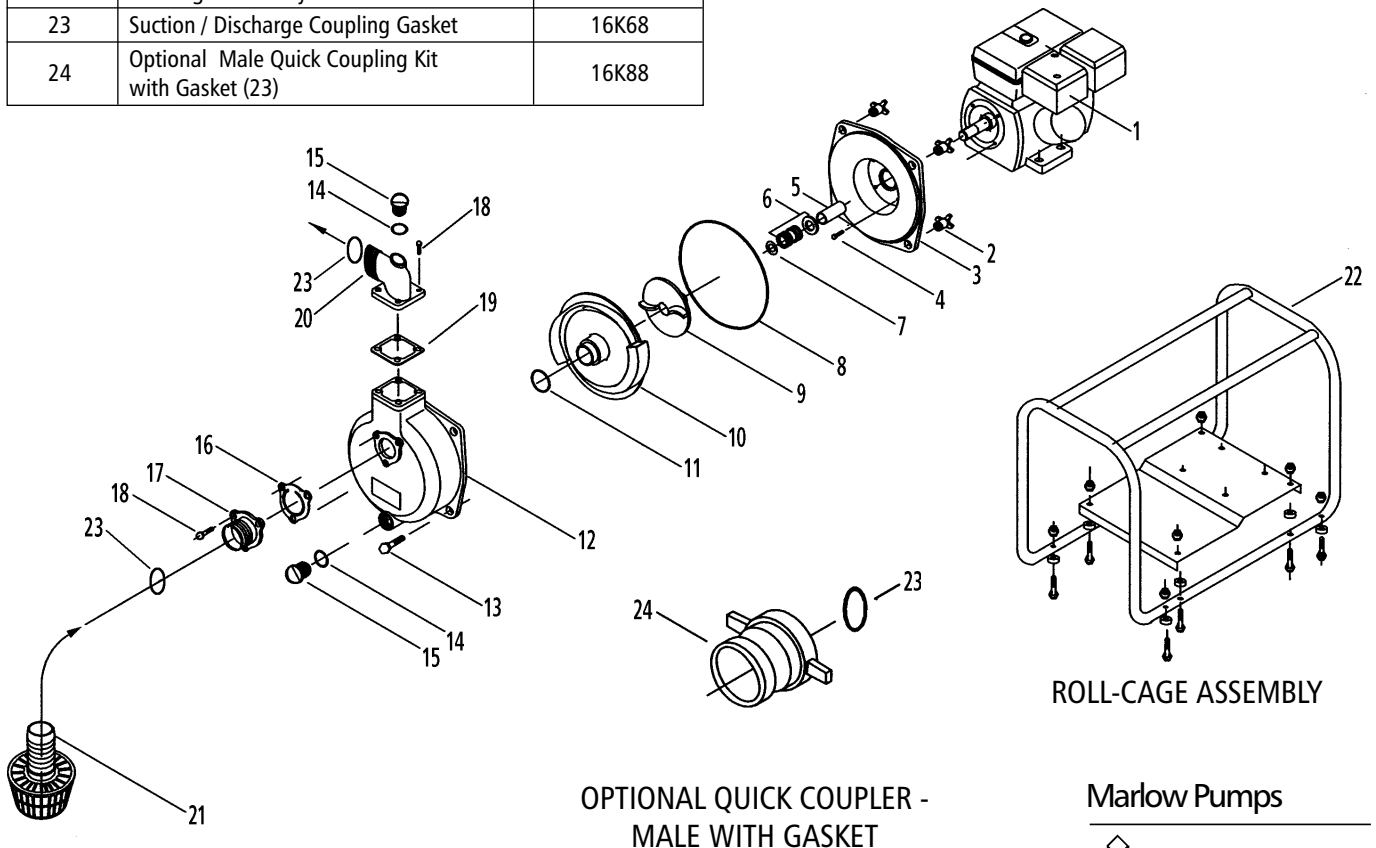
Key No.	Description	Part Number	Material
1	Pipe Plug, Square Head	CP711509008	Steel
2	Tank (Casing)	4244002	Cast Iron
3	O-Ring, Casing (AS #246)	CP751531924	Buna N
4	Impeller Kit (Including O-Ring & Imp. Shim)	424381	Cast Iron / Buna
5	Seal Kit (Includes Casing O-Ring)	42966	SS / Buna
6	Bracket (Adapter)	4243902	Cast Iron
7	Slinger	28486	PVC
12	Base with Handle	15790	Steel
21	Cap Screw	26067	Steel

MODEL 2AM32 - P

Key No.	Description	Part Number	Material
1	Pipe Plug, Square Head	34913	18-8 SS
2	Tank (Casing)	4244002	Cast Iron
3	O-Ring, Casing (AS #246)	47231	Viton A
4	Impeller Kit (Includes O-Ring & Imp. Shim)	42438A	Aluminum
5	Seal Kit (Includes Casing O-Ring)	42799	SS / Viton A
6	Bracket (Adapter)	4243902	Cast Iron
7	Slinger	28486	PVC
8	Splash Deflector	42795	Steel
10	Handle	2101202	Cast Iron
11	Grounding Cable	42798	
12	Base	15786	Steel
13	Locknut (Muffler)	51602	Steel
15	Muffler (Spark Arresting)	37012	Aluminum
16	Spark Plug Wire Assembly (Shielded)	37013	
17	Spark Plug	37014	
18	Ignition Switch (Rotary)	37015	
20	O-Ring, Engine Shaft (AS # 116)	47229	Viton A
21	Cap Screw	26067	Steel
22	Engine	47286	
23	Chassis, Rubber Tire	24150	

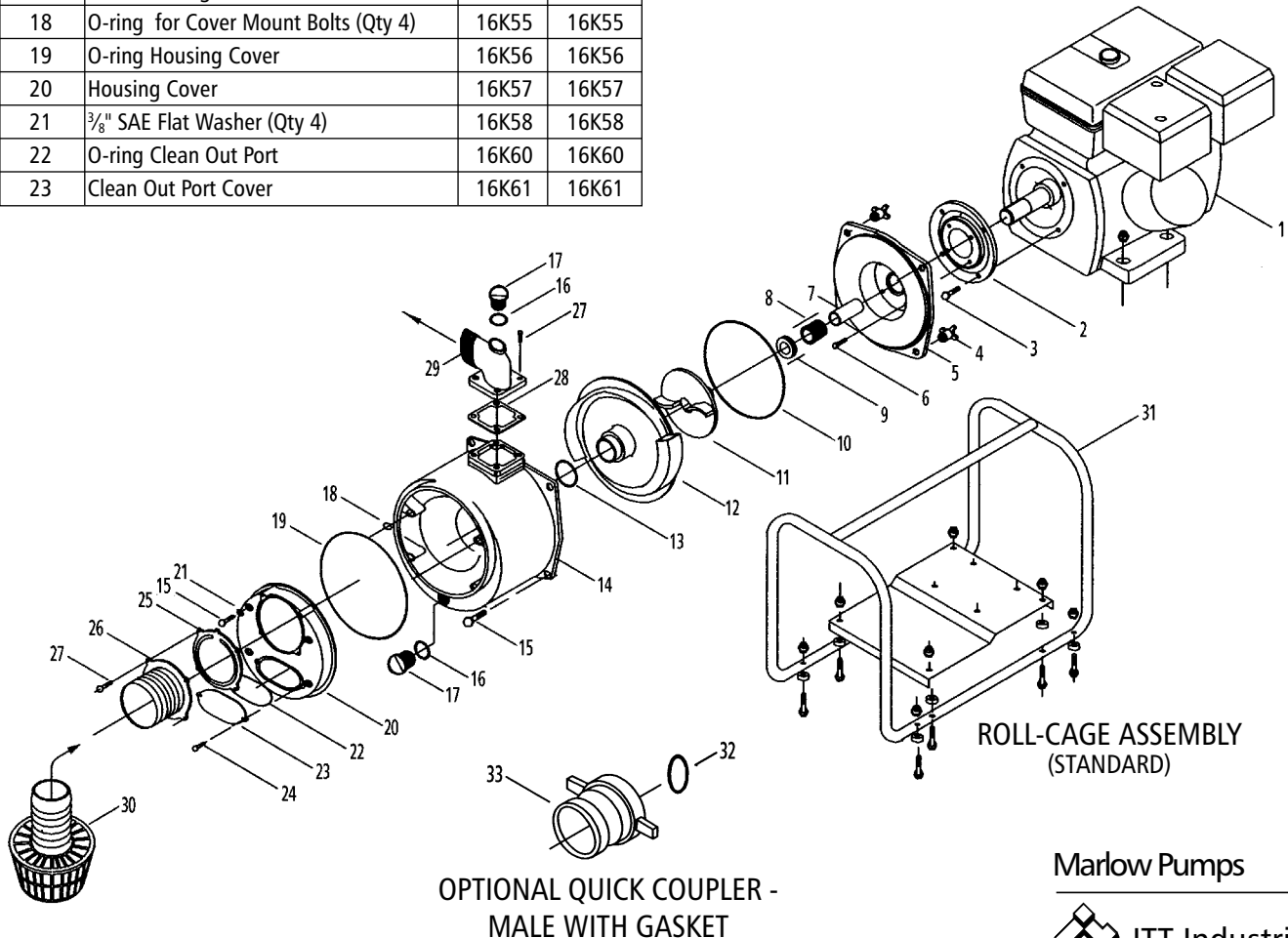
2" Trash Pumps

Item No.	Part Description	2MLGT(H)
1	B&S - 6.0 HP Vanguard Engine	16K33
	Honda - 5.5 HP Engine (H)	16K37
2	Knob $\frac{3}{8}$ " - 16 (Qty 4)	16K91
3	Pump Adapter	16K4
4	Serrated Bolt $\frac{5}{16}$ " -24 x $\frac{3}{4}$ " (Qty 4)	16K6
5,6,8,11	Standard Seal Assy Kit - Carbon / Silicon Carbide with O-rings & Shaft Sleeve	16K92
5,6,8,11	Optional Seal Assy Kit - Silicon Carbide / Silicon Carbide with O-rings & Shaft Sleeve	16K94
7,9,10	Impeller Kit with Volute and Shims	16K96
14, 15, 18, 19, 20, 23	Discharge Elbow Kit	16K82
8,11,14	Complete O-ring Kit	16K85
12	Pump Housing	16K50
13	Bolt $\frac{3}{8}$ " - 16 x $1\frac{1}{2}$ " (Qty 4)	16K14
14	O-ring Drain Fill Plug	16K15
15	Drain Fill Plug	16K17
16	Flapper Valve	16K19
17	Suction Flange	16K21
18	Suction Flange Bolts (4) $\frac{5}{16}$ " -18 x $\frac{7}{8}$ "	16K23
19	Discharge Flange Gasket	16K27
20	Discharge Elbow	16K25
21	Suction Strainer	16K101
22	Roll Cage Assembly	16K74
23	Suction / Discharge Coupling Gasket	16K68
24	Optional Male Quick Coupling Kit with Gasket (23)	16K88



Item No.	Part Description	3MLGT (H)	4MLGT (H)
1	B&S 7.5 HP Vanguard Engine	16K34	
	B&S 13.0 HP Vanguard Engine		16K35
	Honda 8.0 HP Engine (H)	16K38	
	Honda 13.0 HP Engine (H)		16K39
2	Engine Adapter	16K40	16K40
3	Bolt - 3/8" -16 x 1 1/4" (Qty 4)	16K42	16K42
4	Knob 3/8" - 16 (Qty 4)	16K91	16K91
5	Pump Adapter	16K43	16K43
6	Serrated Bolt 5/16" -24 x 3/4" (Qty 4)	16K6	16K6
7,8,10,13	Standard Seal Assy Kit - Carbon / Silicon Carbide with O-rings & Shaft Sleeve	16K93	16K93
7,8,10,13	Optional Seal Assy Kit - Silicon Carbide / Silicon Carbide with O-rings & Shaft Sleeve	16K95	16K95
9,11,12	Impeller Kit with Volute and Shims	16K97	16K98
16,17,27,28,29	Discharge Elbow Kit	16K83	16K84
10,13,16,18,19,22	Complete O-ring Kit	16K87	16K87
14	Pump Housing	16K52	16K52
15	Bolt 3/8" - 16 x 2" (Qty 4) used 2 places	16K54	16K54
16	O-ring Drain Fill Plug	16K16	16K16
17	Drain Fill Plug	16K18	16K18
18	O-ring for Cover Mount Bolts (Qty 4)	16K55	16K55
19	O-ring Housing Cover	16K56	16K56
20	Housing Cover	16K57	16K57
21	3/8" SAE Flat Washer (Qty 4)	16K58	16K58
22	O-ring Clean Out Port	16K60	16K60
23	Clean Out Port Cover	16K61	16K61

Item No.	Part Description	3MLGT (H)	4MLGT (H)
24	Bolts (Qty 2) 5/16" -18 x 7/8" Clean Out	16K23	16K23
25	Flapper Valve	16K59	16K59
26	Suction Flange	16K99	16K100
27	Suction Flange Bolts 5/16" -18 x 1"(Qty 4)	16K24	16K24
28	Discharge Flange Gasket	16K66	16K66
29	Discharge Elbow	16K26	16K67
30	Suction Strainer	16K102	16K103
31	Roll Cage Assembly	16K104	16K104
32	Suction / Discharge Coupling Gasket	16K69	16K70
33	Optional Male Quick Coupling with Gasket (32)	16K89	16K90



PRIME LINE

2PL1 (2x2 - 6), 2PL2 (2x2 - 4), 2PL3 (2x2-5), 2PL4 (2x2 - 7)

Item No.	Key No.	Description	Size	Part No.	Material	
100	1	Casing	All	45369020000	Iron	
101	6	Impeller	2PL1	45361020***	Iron	
			2PL2	45405020***	Iron	
			2PL3 - JM Frame	45474020***	Iron	
				45474060***	Bronze	
			2PL3 - JP Frame	45475020***	Iron	
			2PL4 - JM Frame	45498020***	Iron	
				45498060***	Bronze	
			2PL4 - JP Frame	45499020***	Iron	
*** Designates Impeller Trim						
126	24	Sleeve (EC close coupled only)	All JM Frame	36525000000	Bronze	
				36526000000	416	
				39977000000	316	
			All JP Frame	36523000000	Bronze	
				36524000000	416	
				39978000000	316	
150	46	Diffuser	2PL1	45363020000	Iron	
			2PL2	45406020000	Iron	
			2PL3	45477020000	Iron	
				45477060000	Bronze	
			2PL4	45500020000	Iron	
				45500060000	Bronze	
182	50	Suction Inlet	All	45375020000	Iron	
184	10	Stuffing Box	All EL , All EC - JM Frame	45362020000	Iron	
			JP Frame	45476020000	Iron	
240	67	Motor Adapter (req'd on JP fr.)	213JP-256JP	45434020000	Iron	
		EC-Close Coupled pumps only	284JP- 326JP	45435020000	Iron	
351	8	Gasket, Stuffing Box/Casing	All	47102000000	Nitrile Acrylic	
383	17	Mechanical Seal	All EL - Frame Mounted, EC Close Coupled JM Frame			
			1 1/4" Dia.	Std. Car./Cer. Buna	27223200000	B(F50)1(O10)1
				Car./Cer. Viton	30927000000	X(F50)1(O10)1
			1 1/4" Dia.	Car./Cer. Teflon/Viton	28431000000	Q(F51)1(O10)1
				SilCar/SilCar EPR	44061000000	O(P116)1(P116)1
			SilCar/SilCar/Viton	46075200000	XO(58)1P(90)1	
		EC - Close Coupled JP Frame				
		1 5/8" Dia.	Std. Car./Cer. Buna	28146200000	B(F50)1(O10)1	
			Car./Cer. Viton	37645000000	X(F50)1(O10)1	
			Car./Cer. Teflon/Viton	28669000000	Q(F51)1(O10)1	
			SilCar/SilCar EPR	43739000000	O(P116)1(P116)1	
		412F	49	Gasket, Suction Inlet	All	47039000000
489	51	Check Valve	46617000000	BUNA-N		
			46617200000	Viton		
563	7	O-Ring, Diffuser	C02495A3345302	BUNA-N		
			C02495A3345304	Viton		
790P	53	Keeper	45297000000	304SS		
790Q	54	Shoulder Screw	46795000000	416SS		

Conversion Kits:

Consists of Impeller (101), Diffuser (150) and O-Ring (563 Buna)

2PL1	Z02739E
2PL2	Z02740E
2PL3	Z02741E

PRIME LINE

3PL1 (3x3 - 9), 3PL2 (3x3 - 5), 3PL3 (3x3-8), 3PL4 (3x3 - 7)

Item No.	Key No.	Description	Size	Part No.	Material	
100	1	Casing	All	45353020000	Iron	
101	6	Impeller	3PL1	45336020***	Iron	
			3PL2 -JM Frame	45421020***	Iron	
				45421060***	Bronze	
			3PL2 -JP Frame	45422020***	Iron	
			3PL3	45510020***	Iron	
				45510060***	Bronze	
			3PL4 - JM Frame	45754020000	Iron	
			3PL4 - JP Frame	45753020***	Iron	
*** Designates Impeller Trim						
126	24	Sleeve (EC close coupled only)	All JM Frame	36525000000	Bronze	
				36526000000	416	
				39977000000	316	
			All JP Frame	36523000000	Bronze	
				36524000000	416	
39978000000	316					
150	46	Diffuser	3PL1	45335020000	Iron	
			3PL2	182T	45424020000	Iron
				215T-254T	45423020000	Bronze
					45424060000	
			3PL3	45512020000	Iron	
				45512060000	Bronze	
			3PL4	45755020000	Iron	
182	50	Suction Inlet	All	45290020000	Iron	
184	10	Stuffing Box	All EL, EC-JP Frame	46615020000	Iron	
			All EC - JM Frame	45334020000	Iron	
240	67	Motor Adapter (req'd on JP fr.)	213JP-256JP	45434020000	Iron	
		EC-Close Coupled pumps only	284JP- 326JP	45435020000	Iron	
351	8	Gasket, Stuffing Box/Casing	All	47034000000	Nitrile Acrylic	
383	17	Mechanical Seal	All EL - Frame Mounted, EC Close Coupled JM Frame			
			1 1/4" Dia.	Std. Car./Cer. Buna	27223200000	B(F50)1(O10)1
				Car./Cer. Viton	30927000000	X(F50)1(O10)1
				Car./Cer. Teflon/Viton	28431000000	Q(F51)1(O10)1
				SilCar/SilCar	44061000000	O(P116)1(P116)1
				SilCar/SilCar/Viton	46075200000	XO(58)1P(90)1
			1 5/8" Dia.	Std. Car./Cer. Buna	46983000000	B(F50)1(O10)1
				Car./Cer. Viton	46984000000	X(F50)1(O10)1
				All	47038000000	Nitrile Acrylic
					46618000000	BUNA-N
46618200000	Viton					
C02495A3455302	BUNA-N					
C02495A3455304	Viton					
412F	49	Gasket, Suction Inlet	All	45297000000	304SS	
489	51	Check Valve		46795000000	416SS	
563	7	O-Ring, Diffuser		47038000000	Nitrile Acrylic	
				46618000000	BUNA-N	
790P	53	Keeper		C02495A3455302	BUNA-N	
				C02495A3455304	Viton	
790Q	54	Shoulder Screw		45297000000	304SS	
				46795000000	416SS	

Conversion Kits:

Consists of Impeller (101), Diffuser (150) and O-Ring (563 Buna)

3PL1	Z02743E
3PL2	Z02744E
3PL3	Z02745E
3PL4	Z02746E

PRIME LINE

4PL1 (4x4 - 10), 4PL2 (4x4 - 9)

Item No.	Key No.	Description	Size	Part No.	Material	
100	1	Casing	All	45597020000	Iron	
101	6	Impeller	4PL1	45462020***	Iron	
			4PL2	45464020***	Iron	
*** Designates Impeller Trim						
126	24	Sleeve (EC Close Coupled Only)	All JP Frame	36523000000	Bronze	
				36524000000	416	
				39978000000	316	
150	46	Diffuser	4PL1	45598020000	Iron	
			4PL2	45599020000	Iron	
182	50	Suction Inlet	All	45291020000	Iron	
184	10	Stuffing Box	All	45601020000	Iron	
240	67	Motor Adapter (Req'd on JP Fr.)	213JP-256JP	45434020000	Iron	
		EC-Close Coupled Pumps Only	284JP-326JP	45435020000	Iron	
351	8	Gasket, Stuffing Box/Casing	All	47040000000	Nitrile Acrylic	
383	17	Mechanical Seal	Std. Car./Cer. Buna	1 ⁵ / ₈ "	28146200000	B(F50)1(O10)1
			Car./Cer. Viton		37645000000	X(F50)1(O10)1
			Car./Cer. Teflon/Viton		28669000000	Q(F51)1(O10)1
			SilCar/SilCar		43739000000	O(P116)1(P116)1
412F	49	Gasket, Suction Inlet	All	47036000000	Nitrile Acrylic	
489	51	Check Valve		46619000000	BUNA-N	
				46619200000	Viton	
563	7	O-Ring, Diffuser		C02495A2495302	BUNA-N	
				C02495A2495304	Viton	
790P	53	Keeper		45298000000	304SS	
790Q	54	Shoulder Screw		46795000000	416SS	

Conversion Kits:

Consists of Impeller (101), Diffuser (150) and O-Ring (563 Buna)

4PL1	Z02747E
4PL2	Z02748E

PRIME LINE
S-Frame

Item No.	Key No.	Description	Part No.	Material
112C/168C	36	Ball Bearing	8050-30760	
113A	30	Vent	40233000000	
119C	43	Bearing End Cap	47845020000	
122	38	Shaft	46451000000	Steel
			46451080000	316
123	63	Slinger	26259000000	
134C	31	Bearing Housing	47866020000	
178	37	Impeller Key	49501 16 2213	Steel
			49501 16 2229	316
193A	61	Fitting	9008-01612	Steel
199	5	Curved Washer	91058 131 2452	17-7PH
304	4	Impeller Locknut	29269000000	Steel
			30241000000	316
331	40	Bearing Shim	23838000000	Steel
332/333	42	Lip Seal	8690-71766	Nitrile
400	39	Coupling Key	49589 125 2213	Steel
412Y	41	Gasket, Bearing Cap	45099000000	Nitrile Acrylic

Power End:

Consists of Items 112C/168C, 113A, 119C, 122, 123, 134C, 178, 193A, 199, 304, 331, 332, 333, 400, 412Y

S Frame, Steel Shaft	Z02749E
S Frame, 316 Shaft	Z02750E

S-Frame is used on the:
2PL1, 2PL2, 2PL3, 2PL4, 3PL1 and 3PL2.

PRIME LINE
L-Frame

Item No.	Key No.	Description	Part No.	Material
112C/168C	36	Ball Bearing	8055-21000	Steel
113A	30	Vent	40233000000	
		Grease Lube (Std.)	A00970A0012210	Steel
		Oil Lube	40234000000	
119C	43	Grease Lube (Std.)	42944020000	Iron
		Oil Lube	42737020000	Iron
122	38	Shaft	45772000000	Steel
123	63	Slinger	45511080000	316
			26423000000	
134C	31	Bearing Housing		
		Grease Lube (Std.)	46696020000	Iron
		Oil Lube	42741020000	Iron
178	37	Impeller Key	49501 27 2213	Steel
			49501 27 2229	316
193A	61	Fitting	A00129G0072210	Steel
199	5	Curved Washer	91058 201 2452	17-7PH
304	4	Impeller Locknut	30587000000	Steel
			43207000000	316
331	40	Bearing Shim	24245000000	Steel
332/333	42	Lip Seal	8690-72164	Nitrile
400	39	Coupling Key	A00121G1542213	Steel
412Y	41	Gasket, Bearing Cap		
		Grease Lube (Std.)	42745000000	Nitrile Acrylic
		Oil Lube	42744000000	Nitrile Acrylic

Power End:

Consists of Items 112C/168C, 113A, 119C, 122, 123, 134C, 178, 193A, 199, 304, 331, 332, 333, 400, 412Y

L Frame, Grease Lube, Steel Shaft	Z02751E
L Frame, Oil Lube, Steel Shaft	Z02752E
L Frame, Grease Lube, 316 Shaft	Z02753E
L Frame, Oil Lube, 316 Shaft	Z02754E

L-Frame is used on the:
3PL3, 3PL4, 4PL1 and 4PL2.

PRIME LINE
4E1PEL (4x4 - 12)

Item No.	Key No.	Description	Part No.	Material	
100	1	Casing	29394040000	Iron	
101	91	Impeller	Closed –	46016020***	Iron
			Open –	45033080***	316
		*** Specifies Impeller Trim			
112C/168C	36/117	Ball Bearing	8050 31360	Steel	
113A	30	Breather, Bearing Housing	40234000000	Steel	
122	38	Shaft	47109000000	Steel	
			47109100000	316	
123		Deflector	21608000000		
134A	110	Bearing Carrier (Shell)	45341020000	Iron	
134C	31	Bearing Housing	45366020000	Iron	
150		Diffuser	29365020000	Iron	
			41069080000	316	
178	37	Impeller Key	49501 29 2213	Steel	
			49501 29 2226	316	
182	50	Suction Inlet	45291020000	Iron	
184	10	Stuffing Box Cover	21391020000	Iron	
			41100080000	316	
184B	67	Frame Adapter	45030020000	Iron	
199	5	Impeller Washer	91058 201 2452	17-7PH	
251	29	Oiler (Optional)	72531 5 8683		
304	4	Impeller Nut	22878000000	Zinc Plated	
314A	132	Casing Cover	26484020000	Iron	
331	107	Shim Kit	2-45399000000	Steel	
			2-45400000000		
332/333	42	Lip Seal	8690-10752	Nitrile	
351	8	Gasket, S. Box/Casing (Outer)	21318000000	Nitrile Acrylic	
361	106	Retaining Ring (Inboard)	58101 550 2210	Steel	
361A	108	Retaining Ring (Outboard)	54496 255 2210	Steel	
383	17	Seal Assembly	25357200000	Carb/Cer, BUNA	
			37646000000	Carb/Cer, Viton	
			43741000000	SC/SC, BUNA	
			46558000000	SC/SC, Viton	
			28670000000	Car./NiR Teflon	
400	39	Coupling Key	49589 207 2213	Steel	
412F	49	Gasket, Suction Inlet	47036000000	Nitrile Acrylic	
412K	93	Gasket, Casing Cover	21201000000	Nitrile Acrylic	
415	111	Jam Nut	49507 157 2210	Steel	
489	51	Check Valve	46619000000	BUNA	
			46619200000	Viton	
496	109	O-Ring, Bearing Carrier	C02495A3625302	BUNA	
563	7	O-Ring, Diffuser	C02495A4385302	BUNA-N	
			C02495A4385304	Viton	
790P	53	Keeper, Check Valve	45298000000	304	
790Q	118	Shoulder Screw	46795000000	416	

PRIME LINE

6E4PEL (6x6 - 11), 6E6PEL (6x6 - 12)

Item No.	Key No.	Description	Part No.	Material
100	1	Casing	29394040000	Iron
101	91	Impeller		
		6E4PEL	37890020***	Iron
			47110200***	316
		6E6PEL	38901020***	Iron
		*** Specifies Impeller Trim		
112C/168C	36/117	Ball Bearing	8050 31360	Steel
113A	30	Breather, Bearing Housing	40234000000	Steel
122	38	Shaft		
		6E4PEL	47110000000	Steel
			47110200000	316
		6E6PEL	47109000000	Steel
			47109100000	316
123		Deflector	21608000000	
134A	110	Bearing Carrier (Shell)	45341020000	Iron
134C	31	Bearing Housing	45366020000	Iron
150	46	Diffuser		
		6E4PEL	36676020000	Iron
			36676080000	316
		6E6PEL	29516020000	Iron
178	37	Impeller Key		
		6E4PEL	49501 26 2213	Steel
			49501 26 2229	316
		6E6PEL	49501 29 2213	Steel
			49501 29 2226	316
182	50	Suction Inlet	45292020000	Iron
184	10	Stuffing Box Cover		
		6E4PEL	22939020000	Iron
			41100080000	316
		6E6PEL	21391020000	Iron
184B	67	Frame Adapter	45030020000	Iron
195C	130	Adapter Flange, Casing	29513020000	Iron
199	5	Impeller Washer	91058 201 2452	17-7PH
251	29	Oiler (Optional)	72531 5 8683	
304	4	Impeller Nut	22878000000	Zinc Plated
314A	132	Casing Cover	29515020000	Iron
331	107	Shim Kit	2-45399000000	Steel
			2-45400000000	
332/333	42	Lip Seal	8690-10752	Nitrile
351	8	Gasket, S. Box/Casing (Outer)	21318000000	Nitrile Acrylic
361	106	Retaining Ring (Inboard)	58101 550 2210	Steel

continued on next page

PRIME LINE

 6E4PEL (6x6 - 11), 6E6PEL (6x6 - 12) *continued from previous page*

Item No.	Key No.	Description	Part No.	Material
361A	108	Retaining Ring (Outboard)	54496 255 2210	Steel
383	17	Seal Assembly	25357200000	Carb/Cer,BUNA
			37646000000	Carb/Cer,Viton
			43741000000	SC/SC, BUNA
			46558000000	SC/SC, Viton
			28670000000	Car./NiR Teflon
400	39	Coupling Key	49589 207 2213	Steel
412F	49	Gasket, Suction Inlet	20049000000	Nitrile Acrylic
412K	93	Gasket, Casing Cover	21201000000	Nitrile Acrylic
415	111	Jam Nut	49507 157 2210	Steel
489	51	Check Valve	46620000000	BUNA
			46620200000	Viton
496	109	O-Ring, Bearing Carrier	C02495A3625302	BUNA
563	7	O-Ring, Diffuser	C02495A4385302	BUNA-N
			C02495A4385304	Viton
790P	53	Keeper, Check Valve	45298000000	304
790Q	118	Shoulder Screw	46795000000	416

PRIME LINE
8FB3EL (8x8 - 13), 8FB5EL (8x8 - 11)

Item No.	Key No.	Description	Part No.	Material
100	1	Casing	46071000000	Steel
101	91	Impeller		
		8FB3EL	37884020***	Iron
			45035080***	316
		8FB5EL	37889020***	Iron
*** Specifies Impeller Trim				
112C/168C	36/117	Ball Bearing	8055-31301	Steel
113A	30	Breather, Bearing Housing	A00970A0012210	Steel
122	38	Shaft	47477000000	Steel
			47477100000	316
123		Deflector	22679000000	
134A	110	Bearing Carrier (Shell)	45341020000	Iron
134C	31	Bearing Housing	45366020000	Iron
150		Diffuser 8FB3	41063020000	
		8FB5	41383020000	Iron
		8FB3 Only	41063080000	316
178	37	Impeller Key	49501 26 2213	Steel
			49501 26 2229	316
182	50	Suction Inlet	45293020000	Iron
184	10	Stuffing Box Cover	22941020000	Iron
			41074080000	316
184B	67	Frame Adapter	45031020000	Iron
199	5	Impeller Washer	91058 268 2452	17-7PH
304	4	Impeller Nut	42384000000	Zinc Plated
			51647000000	316
331	107	Shim Kit	2-45399000000	Steel
			2-45400000000	
332/333	42	Lip Seal	8690-10752	Nitrile
351	8	Gasket, S. Box/Casing (Outer)	21201000000	Nitrile Acrylic
361	106	Retaining Ring (Inboard)	58101 550 2210	Steel
361A	108	Retaining Ring (Outboard)	54496 255 2210	Steel
383	17	Seal Assembly	25358200000	Carb/Cer, BUNA
			43743000000	SC/SC, BUNA
400	39	Coupling Key	A00121G2612213	Steel
412F	49	Gasket, Suction Inlet	33481000000	Nitrile Acrylic
415	111	Jam Nut	49507 157 2210	Steel
489	51	Check Valve	46621000000	BUNA
			46621200000	Viton
496	109	O-Ring, Bearing Carrier	C02495A3625302	BUNA
563	7	O-Ring, Diffuser	C02495A4485302	BUNA-N
			C02495A4485304	Viton
790P	53	Keeper, Check Valve	45299000000	304
790Q	118	Shoulder Screw	46795000000	416

PRIME LINE
10FA61EL (10x10 - 12)

Item No.	Key No.	Description	Part No.	Material
100	1	Casing	41257000000	Steel
101	91	Impeller	39882020***	Iron
		*** Specifies Impeller trim		
112C/168C	36/117	Ball Bearing	8055-31301	Steel
113A	30	Breather, Bearing Housing	A00970A0012210	Steel
122	38	Shaft	47483000000	Steel
123		Deflector	22679000000	
134A	110	Bearing Carrier (Shell)	45341020000	Iron
134C	31	Bearing Housing	45366020000	Iron
150		Diffuser	41067020000	Iron
178	37	Impeller Key	49501 26 2213	Steel
182	50	Suction Inlet	41251000000	Iron
184	10	Stuffing Box Cover	41296020000	Iron
184B	67	Frame Adapter	45031020000	Iron
199	5	Impeller Washer	91058 201 2452	17-7PH
304	4	Impeller Nut	22878000000	Cad. Coated
331	107	Shim Kit	2-45399000000	Steel
			2-45400000000	
332/333	42	Lip Seal	8690-10752	Nitrile
351	8	Gasket, S. Box/Casing (Outer)	21201000000	Nitrile Acrylic
361	106	Retaining Ring (Inboard)	58101 550 2210	Steel
361A	108	Retaining Ring (Outboard)	54496 255 2210	Steel
383	17	Seal Assembly	25358200000	Carb/Cer, BUNA
			43561000000	Carb/Cer, Viton
			RTF	SC/SC, BUNA
400	39	Coupling Key	A00121G2612213	Steel
412F	49	Gasket, Suction Inlet	21318000000	Nitrile Acrylic
415	111	Jam Nut	49507 157 2210	Steel
489	51	Check Valve	41254000000	BUNA
			RTF	Viton
489A		Check Valve Weight	15159020000	Iron
489B		Check Valve Weight	15158020000	Iron
496	109	O-Ring, Bearing Carrier	C02495A3625302	BUNA
563	7	O-Ring, Diffuser	C02495A3725302	BUNA-N
			C02495A3725304	Viton
791J		Lockwasher	A03196A0092226	303SS
791K		Hex Head Capscrew	49511 216 2226	303SS
791P		Carriage Bolt	49500 204 2210	Steel
791Q		Lockwasher	A03196A0092210	Steel
791R		Hex Nut	49507 7 2210	Steel

PRIME LINE
12G12EL (12x12 - 16)

Item No.	Key No.	Description	Part No.	Material
100	1	Casing	4416900000	Iron
100B	89	Wear Plate	4380602000	Iron
101	91	Impeller	44493060***	Iron
		*** Specifies Impeller trim		
112C/168C	36/117	Ball Bearing	8055-31301	Steel
113A	30	Breather, Bearing Housing	A00970A0012210	Steel
122	38	Shaft	44614100000	Steel
134A	110	Bearing Carrier (Shell)	45341020000	Iron
134C	31	Bearing Housing	45366020000	Iron
175	83	Clean Out Cover	42736020000	Iron
178	37	Impeller Key	49501 26 2213	Steel
182	50	Suction Inlet	45295020000	Iron
182A	150	Check Valve Housing	43558020000	Iron
184	10	Stuffing Box Cover	43553020000	Iron
195	94	Standpipe	44260000000	Steel
199	5	Impeller Washer	91058 201 2452	17-7PH
304	4	Impeller Nut	22878000000	Cad. Coated
331	107	Shim Kit	2-45399000000	Steel
			2-45400000000	
332/333	42	Lip Seal	8690-10752	Nitrile
351	8	Gasket, S. Box/Casing (Outer)	47034000000	Nitrile Acrylic
351A	96	Gasket, Standpipe/Casing	A00002E9075129	Rubber
360T	84	O-Ring, Coverplate	C02495A2435302	BUNA-N
361	106	Retaining Ring (Inboard)	58101 550 2210	Steel
361A	108	Retaining Ring (Outboard)	54496 255 2210	Steel
383	17	Seal Assembly	A05622E000	SC/SC, Viton
400	39	Coupling Key	A00121G2612213	Steel
412F	49	Gasket, Suction Inlet	21201000000	Nitrile Acrylic
412K	93	Gasket, Wear Plate/Casing	21201000000	Nitrile Acrylic
415	111	Jam Nut	49507 157 2210	Steel
489	51	Check Valve	46623000000	BUNA
			RTF	Viton
496	109	O-Ring, Bearing Carrier	C02495A3625302	BUNA
497X	88	Gasket, Check Valve/Wearplate	43598000000	Vellumoid
540C	105	Gasket, Brg. Housing/Stuffing Box	42930000000	
791J		Lockwasher	A03196A0092226	303SS
790P	53	Keeper, Check Valve	47282000000	304
790Q	118	Shoulder Screw	46795000000	416

TRASH HOG II
3DTH23EL (3x3 - 8)

Key No.	Description	Part No.	Material
1	Casing	46076020000	Iron
		46076100000	316
		46076400000	CD4
91	Impeller	42843080***	Iron
		42843100***	316
		42843400***	CD4
		42843300***	HC500
*** Specifies Impeller trim			
89	Wear Plate	46203020000	Iron
		46203100000	316
		46203400000	CD4
		46203300000	HC500
36/117	Ball Bearing	8050-63081	Steel
30	Breather, Bearing Housing	40234000000	Steel
114	Breather, Seal Cavity	A00970A0012210	Steel
38	Shaft	46631000000	Steel
		46631200000	17-4PH
24	Sleeve (Optional)	46629000000	416
		46629300000	316
110	Bearing Carrier (Shell)	45340020000	Iron
31	Bearing Housing	45365020000	Iron
83	Clean-out Cover	45347020000	Iron
		45347100000	316
		45347200000	CD4
37	Impeller Key	49501 27 2213	Steel
		49501 27 2229	316
50	Suction Inlet	45290020000	Iron
		45290100000	316
		45290400000	CD4
10	Stuffing Box Cover (Std., less sleeve)	42840020000	Iron
		42840100000	316
		42840400000	CD4
	Stuffing Box Cover (Opt. with sleeve)	43406020000	Iron
		43406100000	316
5	Impeller Washer	91058 201 2452	17-7PH
29	Oiler (optional)	39262000000	
4	Impeller Nut	30587000000	Zinc Plated
		43207000000	18-8SS
76	Check Valve Cover	45308000000	Steel
		47079100000	316
		47079200000	CD4
107	Shim Kit	2-45397000000	
		2-45398000000	
42	Lip Seal	8690-71835	Nitrile

continued on next page

TRASH HOG II

 3DTH23EL (3x3 - 8) *continued from previous page*

Key No.	Description	Part No.	Material
8	Gasket, S. Box/Casing (Outer)	21437000000	Nitrile Acrylic
77	Gasket, Check Valve Cover	42931000000	Nitrile Acrylic
7	Gasket, S.Box/Casing (Inner)	42882000000	Nitrile Acrylic
112	Adjusting Bolt	49511 103 2226	303SS
11	Stud, Wear Plate	51786100000	316SS
98	Fill Plug	32235020000	Iron
		92481 08 2229	316
84	O-Ring, Clean Out Cover	C02495A3625302	BUNA
		C02495A3625304	Viton
106	Retaining Ring (Outboard)	58101 354 210	Steel
108	Retaining Ring (Inboard)	54496 156 2210	Steel
17	Seal Assembly,		
	less Sleeve	A05616E000	SC/SC, Viton
		A05617E000	Carb/Cer, Viton
	with Sleeve	A05618E000	SC/SC, Viton
39	Coupling Key	A00121G1052213	Steel
104	O-Ring, Shaft Sleeve	C02495A0285302	BUNA
		C02495A0285304	Viton
49	Gasket, Suction Inlet	47038000000	Nitrile Acrylic
111	Jam Nut	49507 154 2210	Steel
116	Locknut	51558000000	Steel
101	Split Pin (Optional)	80860 39 2223	Steel
51	Check Valve	46618000000	BUNA
		46618200000	Viton
109	O-Ring, Bearing Carrier	C02495A3475302	BUNA
105	Gasket, Housing/SB Cover	42811000000	Nitrile Acrylic
81	Handknob	28223020000	Iron
		28223100000	316
53	Keeper, Check Valve	45297000000	304
		45297100000	316
118	Shoulder Screw	46795000000	416
		46795100000	316
99	Gasket, Fill Plug	23983000000	Rubber

TRASH HOG II
 4DTH24EL (4x4 - 9)

Item No.	Key No.	Description	Part No.	Material
100	1	Casing	46265020000	Iron
			46265100000	316
			46265200000	CD4
101	91	Impeller	42730080***	Iron
			42730100***	316
			42730200***	CD4
			42730300***	HC500
*** Specifies Impeller Trim				
103A	89	Wear Plate	46285020000	Iron
			46285100000	316
			46285200000	CD4
			46285300000	HC500
112C/168C	36/117	Ball Bearing	8055-21000	Steel
113A	30	Breather, Bearing Housing	40234000000	Steel
113M	114	Breather, Seal Cavity	A00970A0012210	Steel
122	38	Shaft	46632000000	Steel
			46632200000	17-4PH
126	24	Sleeve (Optional)	46630000000	416
			46630100000	316
134A	110	Bearing Carrier (Shell)	45340020000	Iron
134C	31	Bearing Housing	45365020000	Iron
175	83	Clean-out Cover	45347020000	Iron
			45347100000	316
			45347200000	CD4
178	37	Impeller Key	49501 26 2213	Steel
			49501 26 2229	316
182	50	Suction Inlet	45291020000	Iron
			45291100000	316
			45291200000	CD4
184	10	Stuffing Box Cover (Std., less Sleeve)	42731020000	Iron
			42731100000	316
			42731200000	CD4
		Stuffing Box Cover (Opt. with Sleeve)	43405020000	Iron
			43405100000	316
			43405200000	CD4
199	5	Impeller Washer	91058 201 2452	17-7PH
251	29	Oiler (Optional)	72531 5 8683	
304	4	Impeller Nut	30587000000	Zinc Plated
			43207000000	18-8SS
314	76	Check Valve Cover	45308000000	Steel
			47079100000	316
			47079200000	CD4
331	107	Shim Kit	2-46220000000	
			2-46221000000	

continued on next page

TRASH HOG II

 4DTH24EL (4x4 - 9) *continued from previous page*

Item No.	Key No.	Description	Part No.	Material
332/333	42	Lip Seal	8690-72164	Nitrile
351	8	Gasket, S. Box/Casing (Outer)	47034000000	Nitrile Acrylic
351T	77	Gasket, Check Valve Cover	42931000000	Nitrile Acrylic
351W	7	Gasket, S.Box/Casing (Inner)	42810000000	Nitrile Acrylic
356A	112	Adjusting Bolt	49511 103 2226	303SS
356K	11	Stud, Wear Plate	A00006E1032229	316SS
358U	98	Fill Plug	32235020000	Iron
			92481 08 2229	316
360T	84	O-Ring, Clean Out Cover	C02495A3625302	BUNA
			C02495A3625304	Viton
361	106	Retaining Ring (Outboard)	58101 354 2210	Steel
361A	108	Retaining Ring (Inboard)	54496 196 2210	Steel
383	17	Seal Assembly,		
		less Sleeve	A05620E000	SC/SC, Viton
			A05621E000	Carb/Cer,Viton
		with Sleeve	A05622E000	SC/SC, Viton
			A05623E000	Carb/Cer,Viton
400	39	Coupling Key	A00121G1542213	Steel
412A	104	O-Ring, Shaft Sleeve	C02495A0315302	BUNA
			C02495A0315304	Viton
412F	49	Gasket, Suction Inlet	47036000000	Nitrile Acrylic
415	111	Jam Nut	49507 154 2210	Steel
425	116	Locknut	51558000000	Steel
469D	101	Split Pin (Optional)	80860 39 2223	Steel
489	51	Check Valve	46619000000	BUNA
			46619200000	Viton
496	109	O-Ring, Bearing Carrier	C02495A3475302	BUNA
540C	105	Gasket, Housing/SB Cover	42811000000	Nitrile Acrylic
790N	81	Handknob	28223020000	Iron
			28223100000	316
790P	53	Keeper, Check Valve	45298000000	304
			45298100000	316
790Q	118	Shoulder Screw	46795000000	416
			46795100000	316
790T	99	Gasket, Fill Plug	23983000000	Rubber

continued on next page

TRASH HOG II
6ETH28EL (6x6 - 11)

Item No.	Key No.	Description	Part No.	Material
100	1	Casing	45344020000	Iron
			45344100000	316
			45344200000	CD4
101	91	Impeller	42924080***	Iron
			42924100***	316
			42924200***	CD4
			42924300***	HC500
*** Specifies Impeller trim				
103A	89	Wear Plate	45350020000	Iron
			45350100000	316
			45350200000	CD4
			45350300000	HC500
112C	36	Ball Bearing (Outboard)	8055-31301	Steel
113A	30	Breather, Bearing Housing	40234000000	Steel
113M	114	Breather, Seal Cavity	A00970A0012210	Steel
122	38	Shaft	46268100000	17-4PH
126	24	Sleeve (Optional)	43413000000	416
			43413300000	316
134A	110	Bearing Carrier (Shell)	45341020000	Iron
134C	31	Bearing Housing	45366020000	Iron
168C	117	Ball Bearing (Inboard)	8050 313600000	Steel
175	83	Clean-out Cover	45347020000	Iron
			45347100000	316
			45347200000	CD4
178	37	Impeller Key	49501 26 2229	316
182	50	Suction Inlet	45292020000	Iron
			45292100000	316
			45292200000	CD4
184	10	Stuffing Box Cover (Std., less Sleeve)	42923020000	Iron
			42923100000	316
			42923200000	CD4
		Stuffing Box Cover (Opt. with Sleeve)	43409020000	Iron
			43409100000	316
			43409200000	CD4
199	5	Impeller Washer	91058 224 2452	17-7PH
251	29	Oiler (Optional)	72531 5 8683	
304	4	Impeller Nut	46266000000	Zinc Plated
			51773000000	18-8SS
314	76	Check Valve Cover	45308000000	Steel
			47079100000	316
			47079200000	CD4
331	107	Shim Kit	2-45399000000	
			2-45400000000	

continued on next page

TRASH HOG II

 6ETH28EL (6x6 - 11) *continued from previous page*

Item No.	Key No.	Description	Part No.	Material
332/333	42	Lip Seal	8690-10752	Nitrile
351	8	Gasket, S. Box/Casing (Outer)	21924000000	Nitrile Acrylic
351T	77	Gasket, Check Valve Cover	42931000000	Nitrile Acrylic
351W	7	Gasket, S.Box/Casing (Inner)	42929000000	Nitrile Acrylic
356A	112	Adjusting Bolt	49511 203 2226	303SS
356K	11	Stud, Wear Plate	A00006E1032229	316SS
358U	98	Fill Plug	32235020000	Iron
			92481 08 2229	316
360T	84	O-Ring, Clean Out Cover	C02495A3625302	BUNA
			C02495A3625304	Viton
361	106	Retaining Ring (Outboard)	58101 550 2210	Steel
361A	108	Retaining Ring (Inboard)	54496 255 2210	Steel
383	17	Seal Assembly,		
		less Sleeve	A05620E000	SC/SC, Viton
			A05621E000	Carb/Cer,Viton
		with Sleeve	A05622E000	SC/SC, Viton
			A05623E000	Carb/Cer,Viton
400	39	Coupling Key	A00121G2132213	Steel
412A	104	O-Ring, Shaft Sleeve	C02495A0315302	BUNA
			C02495A0315304	Viton
412F	49	Gasket, Suction Inlet	20049000000	Nitrile Acrylic
415	111	Jam Nut	49507 157 2210	Steel
425	116	Locknut	51558000000	303SS
469D	101	Split Pin (Optional)	80860 39 2223	Steel
489	51	Check Valve	46620000000	BUNA
			46620200000	Viton
496	109	O-Ring, Bearing Carrier	C02495A3625302	BUNA
540C	105	Gasket, Housing/SB Cover	42930000000	Nitrile Acrylic
790N	81	Handknob	28223020000	Iron
			28223100000	316
790P	53	Keeper, Check Valve	45298000000	304
			45298100000	316
790Q	118	Shoulder Screw	46795000000	416
			46795100000	316
790T	99	Gasket, Fill Plug	23983000000	Rubber

TRASH HOG II
8GTH14EL (8x8 - 11)

Item No.	Key No.	Description	Part No.	Material
100	1	Casing	45345020000	Iron
101	91	Impeller	43153080***	Iron
			43153100***	316
			43153200***	CD4
			43153300***	HC500
			*** Specifies Impeller Trim	
103A	89	Wear Plate	45351020000	Iron
			45351100000	316
			45351200000	CD4
			45351300000	HC500
112C	36	Ball Bearing (Outboard)	8055-31301	Steel
113A	30	Breather, Bearing Housing	40234000000	Steel
113M	114	Breather, Seal Cavity	A00970A0012210	Steel
122	38	Shaft	46268100000	17-4PH
126	24	Sleeve (Optional)	43413000000	416
			43413300000	316
134A	110	Bearing Carrier (Shell)	45341020000	Iron
134C	31	Bearing Housing	45366020000	Iron
168c	117	Ball Bearing (Inboard)	8050 313600000	
175	83	Clean-out Cover	45347020000	Iron
			45347100000	316
			45347200000	CD4
178	37	Impeller Key	49501 26 2229	316
182	50	Suction Inlet	45293020000	Iron
			45293100000	316
			45293200000	CD4
184	10	Stuffing Box Cover (Std., less Sleeve)	43154020000	Iron
			43154100000	316
			43154200000	CD4
		Stuffing Box Cover (Opt. with Sleeve)	43410020000	Iron
			43410100000	316
			43410200000	CD4
199	5	Impeller Washer	91058 224 2452	17-7PH
251	29	Oiler (Optional)	72531 5 8683	
304	4	Impeller Nut	46266000000	Zinc Plated
			51773000000	18-8SS
314	76	Check Valve Cover	45309000000	Steel
331	107	Shim Kit	2-45399000000	
			2-45400000000	
332/333	42	Lip Seal	8690-10752	Nitrile
351	8	Gasket, S. Box/Casing (Outer)	21318000000	Nitrile Acrylic
351T	77	Gasket, Check Valve Cover	43182000000	Nitrile Acrylic
351W	7	Gasket, S. Box/Casing (Inner)	C02495A4585302	BUNA
356A	112	Adjusting Bolt	49511 203 2226	303SS

continued on next page

TRASH HOG II

 8GTH14EL (8x8 - 11) *continued from previous page*

Item No.	Key No.	Description	Part No.	Material
356K	11	Stud, Wear Plate	51786100000	316SS
358U	98	Fill Plug	32235020000	Iron
			92481 08 2229	316
360T	84	O-Ring, Clean Out Cover	C02495A3625302	BUNA
			C02495A3625304	Viton
361	106	Retaining Ring (Outboard)	58101 550 2210	Steel
361A	108	Retaining Ring (Inboard)	54496 255 2210	Steel
383	17	Seal Assembly,		
		less Sleeve	A05620E000	SC/SC, Viton
			A05621E000	Carb/Cer, Viton
		with Sleeve	A05622E000	SC/SC, Viton
400	39	Coupling Key	A00121G2132213	Steel
			C02495A0315302	BUNA
412A	104	O-Ring, Shaft Sleeve	C02495A0315304	Viton
412F	49	Gasket, Suction Inlet	33481000000	Nitrile Acrylic
415	111	Jam Nut	49507 157 2210	Steel
425	116	Locknut	51558000000	303SS
469D	101	Split Pin (Optional)	80860 39 2223	Steel
489	51	Check Valve	46621000000	BUNA
496	109	O-Ring, Bearing Carrier	C02495A3625302	BUNA
540C	105	Gasket, Housing/SB Cover	42930000000	Nitrile Acrylic
790N	81	Handknob	28223020000	Iron
			28223100000	316
790P	53	Keeper, Check Valve	45299000000	304
790Q	118	Shoulder Screw	46795000000	416
			46795100000	316
790T	99	Gasket, Fill Plug	23983000000	Rubber

TRASH HOG II
10GTH9EL (10x10 - 14)

Item No.	Key No.	Description	Part No.	Material
100	1	Casing	45346020000	Iron
101	91	Impeller	44257080***	Iron
			44257100***	316
			44257200***	CD4
			44257300***	HC500
			*** Specifies Impeller Trim	
103A	89	Wear Plate	45352020000	Iron
			45352100000	316
			45352200000	CD4
			45352300000	HC500
112C/168C	36	Ball Bearing (Inboard)	8055-31301	Steel
113A	30	Breather, Bearing Housing	40234000000	Steel
113M	114	Breather, Seal Cavity	A00970A0012210	Steel
122	38	Shaft	45678100000	17-4PH
126	24	Sleeve (Optional)	44477100000	416
			44477300000	316
134A	110	Bearing Carrier (Shell)	45341020000	Iron
134C	31	Bearing Housing	45366020000	Iron
175	83	Clean-out Cover	45347020000	Iron
			45347100000	316
			45347200000	CD4
178	37	Impeller Key	49501 26 2229	316
182	50	Suction Inlet	45294020000	Iron
184	10	Stuffing Box Cover (Std., less Sleeve)	43410020000	Iron
			43410100000	316
		Stuffing Box Cover (Opt. with Sleeve)	44457020000	Iron
			44457100000	316
199	5	Impeller Washer	91058 201 2452	17-7PH
251	29	Oiler (Optional)	72531 5 8683	
304	4	Impeller Nut	22878000000	Cad. Plated
314	76	Check Valve Cover	45310000000	Steel
331	107	Shim Kit	2-45399000000	
			2-45400000000	
332/333	42	Lip Seal	8690-10752	Nitrile
351	8	Gasket, S. Box/Casing (Outer)	21318000000	Nitrile Acrylic
351T	77	Gasket, Check Valve Cover	43728000000	Nitrile Acrylic
351W	7	Gasket, S.Box/Casing (Inner)	C02495A4585302	Nitrile Acrylic
356A	112	Adjusting Bolt	49511 203 2226	303SS

continued on next page

TRASH HOG II

 10GTH9EL (10x10 - 14) *continued from previous page*

Item No.	Key No.	Description	Part No.	Material
356K	11	Stud, Wear Plate	52120664045	316SS
358U	98	Fill Plug	32235020000	Iron
			92481 08 2229	316
360T	84	O-Ring, Clean Out Cover	C02495A3625302	BUNA
361	106	Retaining Ring (Outboard)	58101 550 2210	Steel
361A	108	Retaining Ring (Inboard)	54496 255 2210	Steel
383	17	Seal Assembly,		
		less Sleeve	A05622E000	SC/SC, Viton
			A05623E000	Carb/Cer, Viton
		with Sleeve	A05624E000	SC/SC, Viton
			A05625E000	Carb/Cer, Viton
400	39	Coupling Key	A00121G2132213	Steel
412A	104	O-Ring, Shaft Sleeve	C02495A0335302	BUNA
			C02495A0335304	Viton
412F	49	Gasket, Suction Inlet	43727000000	Nitrile Acrylic
415	111	Jam Nut	49507 157 2210	Steel
425	116	Locknut	51558000000	303SS
469D	101	Split Pin (Optional)	80860 39 2223	Steel
489	51	Check Valve	46622000000	BUNA
496	109	O-Ring, Bearing Carrier	C02495A3625302	BUNA
540C	105	Gasket, Housing/SB Cover	42930000000	Nitrile Acrylic
			28223020000	Iron
790N	81	Handknob	28223100000	316
			45299000000	304
790P	53	Keeper, Check Valve	46795000000	416
790Q	118	Shoulder Screw	46795100000	316
			23983000000	Rubber
790T	99	Gasket, Fill Plug		

MODEL
1.5HER49EL (1THEL1A0)

Key No.	Description	Quantity	Part No.
1	Cap Screw	4	49511 51 2210
2	Pipe Plug	1	63122 2 2210
3	Inlet	1	22050020000
5	Carriage Bolt	1	49500 4 2210
6	Lower Weight	1	21033020000
7*	Check Valve	1	21031000000
8	Upper Weight	1	21110020000
9	Hex Nut	1	49507 2 2210
10	Stop Plate	1	27183000000
11*	Check Valve Assembly Includes Items 5, 6, 7, 8, 9, & 10	1	24220000000
18*	Thumb Screw	1	31562000000
19	Yoke	1	31557000000
21	Pin	2	80860 39 2223
22	Elbow	1	31554020000
23*	Gasket, Elbow	2	C02495a2265302
25*	Hand Knob	2	31765000000
26	Cover	1	31556020000
28*	O-Ring	1	C02495a2565302
32*	Cap Screw	1	24104000000
33*	Lock Washer	1	A03196a0042226
34*	Washer	1	A05455e0042228
35*	Impeller, Open	1	31559020000
37*	Seal Assembly	1	48871000000
38	Volute	1	31558020000
44	Tank	1	31555020000
45	O-Ring	1	C02495a2245302
46	Filler Plug	1	32235020000
47	Nipple, Close	1	16122000000
48	Tee, Filler	1	7501 0024 1000
51*	Gasket, Tank	1	23112000000
55	Stud	4	51656000000
58	Seal Plate (Stuff Box Cover)	1	29155020000
64	Slinger	1	28486000000
67	Finger Spring	1	32392000000
68	Housing	1	32366020000
69	Grease Fitting	1	9008-01610
70	Relief Valve	1	25083000000
71	Bearing, Inboard	1	8050-62020
72	Shaft	1	32388000000
74	Bearing, Outboard	1	8050-20361
76	Retaining Ring	1	58101 156 2210
77	Lock Collar	1	32391000000
80*	Shim, Impeller	2	22115000000
	Shim, Impeller	2	27201000000
	Shim, Impeller	2	29226000000

* Recommended Spares

MODEL
1.5HR49EC

Model 1.5HR49EC		Motor
1THEC1B1A0	1.5HP 1PH ODP	E07858
1THEC1B5A0	1.5HP 3PH TEFC	E07876
1THEC1A5A0	1HP 3PH TEFC	E06876
1THEC1A4A0	1HP 1PH TEFC	E06821
1THEC1B4A0	1.5HP 1PH TEFC	E07821
1THEC1A1A0	1HP 1PH ODP	E06853
1THEC1A2A0	1HP 3 PH ODP	E06873
1THEC1B2A0	1.5HP 3PH ODP	E07878
1THEC1B9A0	1.5HP 1PH XP	BBC07825

Key No.	Description	Quantity	Part No.
1	Cap Screw	4	49511 51 2210
2	Pipe Plug	1	63122 2 2210
3	Inlet	1	22050020000
5	Carriage Bolt	1	49500 4 2210
6	Lower Weight	1	21033020000
7*	Check Valve	1	21031000000
8	Upper Weight	1	21110020000
9	Hex Nut	1	49507 2 2210
10	Stop Plate	1	27183000000
11	Check Valve Assembly Includes Items 5,6,7,8,9,10	1	24220000000
18*	Ell Screw	1	31562000000
19	Yoke	1	31557000000
21	Screw Or Pin	2	80860 39 2223
22	Elbow	1	31554020000
23*	O-Ring	2	C02495a2265302
25*	Hand Knob	2	31765000000
26	Cover	1	31556020000
28*	O-Ring, Cover	1	C02495a2565302
32*	Impeller Lock Screw (3 Phase Only)	1	24104000000
33*	Impeller Lock Washer	1	A03196a0052210
34*	Impeller Washer (3 Phase Only)	1	A05455e0042228
35*	Impeller, Open	1	31559020000
37*	Seal Assembly	1	48871000000
38	Volute	1	31558020000
43	Stud	4	24452000000
44	Tank	1	31555020000
45	Gasket, Filler	1	23983000000
46	Filler Plug	2	32235020000
47	Nipple, Close	2	16122000000
48	Tee, Filler	1	7501 0024 1000
51*	Gasket, Tank	1	23112000000
52	Lantern	1	23653020000
53	Cap Screw	4	49511 103 2210
54*	Shim, Lantern	2	22991000000
64	Slinger	1	28486000000
80*	Impeller Shim	2	22115000000
	Impeller Shim	2	27201000000
	Impeller Shim	2	29226000000

* Recommended Spares

MODEL
2CR14EL (2THEL2A0)

Key No.	Description	Quantity	Part No.
1	Cap Screw	4	49511 51 2210
2	Pipe Plug	1	63122 2 2210
3	Inlet, Suction	1	21107020000
5	Carriage Bolt	1	49500 4 2210
6	Lower Weight	1	21033020000
7*	Check Valve	1	21031000000
8	Upper Weight	1	21110020000
9	Hex Nut	1	49507 2 2210
10	Stop Plate	1	27183000000
11	Check Valve Assembly Includes Items 5, 6, 7, 8, 9, 10	1	24220000000
18*	Ell Screw	1	34299000000
19	Yoke	1	34306020000
20	Nut	2	49507 3 2210
21	Screw Or Pin	2	49511 55 2210
22	Elbow, Suction	1	34307020000
23*	Gasket, Elbow	2	C02495a3395302
24	Cap Screw	3	49585 38 2210
25*	Hand Knob	2	25780020000
26	Cover	1	34305020000
28*	Gasket, Cover	1	C02495a2735302
29*	Wear Plate	1	34304020000
30*	Impeller Locknut	1	15962000000
31*	Impeller Washer, Dished	1	91058 131 2452
35*	Impeller, Open	1	44217020000
36*	Impeller Key	1	49501 21 2213
37	Seal Assembly	1	25355200000
38	Volute	1	44216020000
43	Stud	4	24434000000
44	Tank	1	34301020000
45*	Gasket, Filler	1	23983000000
46	Filler Plug	1	26304020000
49	Screw, Flat Head	3	49503 257 2228
50	Drain Plug	1	63122 4 2210
51*	Gasket, Tank	1	47035000000
58	Stuff Box Cover (Packing Plate)	1	21171020000
64	Slinger	1	21169000000
65	Shim Or Gasket, Plate	2	15650000000
66	Bearing Cap	1	22674000000
67	Retaining Ring	2	58101 315 2210
68	Bearing Housing	1	22590020000
69	Alemite Fitting	1	9008-01610
70	Valve, Relief	1	25083000000
71*	Bearing, Inboard	1	8050-30761
72	Shaft	1	26224000000
73*	Shaft Key, Coupling	1	49589 125 2213
74*	Bearing, Outboard	1	8050-30761
75*	Shim, Bearing	2	23838000000
76	Retaining Ring	2	58101 315 2210
77	Bearing Cap	1	22674000000
79	Cap Screw	8	49511 103 2210
80*	Impeller Shim	2	15438000000
	Impeller Shim	2	31005000000

** Recommended Spares*
Marlow Pumps


MODEL
3CR18EC (3THEC2D2A0)

Key No.	Description	Quantity	Part No.
1	Cap Screw	4	49511 102 2210
3	Inlet, Suction	1	22452020000
5	Carriage Bolt	1	49500 4 2210
6	Lower Weight	1	21110020000
7*	Check Valve	1	21108000000
8	Upper Weight	1	21109020000
9	Hex Nut	1	49507 2 2210
10	Stop Plate	1	27184000000
11	Check Valve Assembly	1	24221000000
18*	Ell Screw	1	31351000000
19	Yoke	1	31317020000
20	Nut	2	49507 4 2210
21	Screw	2	49511 105 2210
22	Elbow	1	31315020000
23*	Gasket, Elbow	2	C02495a3485302
24*	Screw, Flat Head	2	49503 305 2228
25*	Hand Knob	4	28223020000
26	Cover	1	31565020000
28*	Gasket, Cover	1	C02495a4535302
29*	Wear Plate	1	31564020000
32*	Impeller Lock Screw	1	49511 102 2210
33*	Impeller Lock Washer	1	49520 220 6951
34*	Impeller Washer	1	26257000000
35*	Impeller	1	31131020000
36*	Impeller Key	1	49589 59 2213
37*	Seal Assembly	1	27223200000
38	Volute	1	31325020000
43	Stud	4	51653000000
44	Tank	1	31314020000
45*	O-ring, Filler	1	C02495a2245302
46	Filler Plug	1	32235020000
49	Screw, Flat Head	4	49503 257 2228
51*	Gasket, Tank	1	47035000000
52	Lantern (Bracket)	1	36545020000
53	Cap Screw	4	49511 102 2210
54*	Shim, Lantern	1	22991000000
55	Cap Screw	8	49511 102 2210
56*	Shaft Sleeve	1	36637000000
64	Slinger	1	26259000000
80*	Impeller Shim	2	34616000000
	Impeller Shim	2	34617000000

** Recommended Spares*

MODEL
3CR18EL (3THEL2A0, 3THEL2A2)

Key No.	Description	Quantity	Part No.
1	Cap Screw	4	49511 102 2210
2	Pipe Plug	1	63122 2 2210
3	Inlet, Suction	1	22452020000
5	Carriage Bolt	1	49500 4 2210
6	Lower Weight	1	21110020000
7*	Check Valve	1	21108000000
	3THEL2A0 (BUNA)		44610000000
	3THEL2A2 (VITON)		21109020000
8	Upper Weight	1	21109020000
9	Hex Nut	1	49507 2 2210
10	Stop Plate	1	27184000000
18*	Ell Screw	1	31351000000
19	Yoke	1	31317020000
20	Nut	2	49507 4 2210
21	Screw	2	49511 105 2210
22	Elbow	1	31315020000
23*	Gasket, Elbow	2	C02495A3485302
	3THEL2A0 (BUNA)		C02495A3485304
	3THEL2A2 (VITON)		49503 305 2228
24*	Screw, Flat Head	2	49503 305 2228
25*	Hand Knob	4	28223020000
26	Cover	1	31565020000
28*	Gasket, Cover	1	C02495A4535302
	3THEL2A0 (BUNA)		C02495A4535304
	3THEL2A2 (VITON)		31564020000
29*	Wear Plate	1	31564020000
30	Impeller Locknut	1	15962000000
31	Impeller Washer, Dished	1	91058 131 2452
35*	Impeller	1	31131020000
36*	Impeller Key	1	49501 21 2213
37*	Seal Assembly	1	25355200000
	3THEL2A0 (BUNA)		41356000000
	3THEL2A2 (VITON)		31325020000
38	Volute	1	31325020000
43	Stud	4	51653000000
44	Tank	1	31314020000
45*	O-Ring, Filler	1	23983000000
46	Filler Plug	1	32235020000
49	Screw, Flat Head	4	49503 257 2228
50	Drain Plug	1	92478 5
51*	Gasket, Tank	1	47035000000
58	Seal Plate (Stuff Box Cover)	1	21171020000
64	Slinger	1	21169000000
65	Gasket	2	15650000000
66	Bearing Cap	1	22674000000
67	Retaining Ring	1	58101 315 2210
68	Bearing Housing	1	22590020000
69	Alemite Fitting	2	9008-01610
70	Valve, Relief	1	25083000000
71	Bearing, Inboard	1	8050-30761
72	Shaft	1	26224000000
73	Shaft Ext Key	1	49589 125 2213
74	Bearing, Outboard	1	8050-30761
75	Shim, Bearing	2	23838000000
76	Retaining Ring	1	58101 315 2210
77	Bearing Cap	1	22674000000
79	Cap Screw	8	49511 103 2210
80*	Impeller Shim	2	15438000000
	Impeller Shim	2	31005000000

** Recommended Spares*
Marlow Pumps


MODEL
4DR4EL (4THEL2A0), 4DR5EL (5THEL2A0)

Key No.	Description	Quantity	Part No.
1	Cap Screw	4	49511 203 2210
2	Pipe Plug	1	63122 2 2210
3	Inlet, Suction	1	22696020000
4	Gasket, Inlet	2	28764000000
5	Carriage Bolt	2	49500 203 2210
6	Lower Weight	1	15128020000
7*	Check Valve	1	15636000000
8	Upper Weight	1	15127020000
9	Hex Nut	2	A00910a0072210
10	Stop Plate	1	27185000000
11	Check Valve Assembly	1	27186000000
18*	Ell Screw	1	31351000000
19	Yoke	1	31317020000
20	Nut	2	49507 4 2210
21	Screw	2	49511 105 2210
22	Elbow	1	31950020000
23*	Gasket, Elbow	2	C02495a3485302
24*	Screw, Flat Head	2	49511 102 2226
25*	Hand Knob	4	28223020000
26	Cover	1	31951020000
28*	Gasket, Cover	1	C02495a4585302
27	Shim, Wearplate	1	31752000000
	Wear Plate		
29*	4DR4EL	1	32017020000
	4DR5EL		31981020000
30	Impeller Locknut	1	30587000000
31	Impeller Washer, Dished	1	91058 201 2452
	Impeller		
35*	4DR4EL	1	31596020000
	4DR5EL		31963020000
36*	Impeller Key	1	49501 27 2213
37*	Seal Assembly	1	25356200000
38	Volute	1	32541020000
43	Stud	4	51653000000
44	Tank	1	31592020000
45*	Gasket, Filler	1	23983000000
46	Filler Plug	1	32235020000
	Screw, Flat Head		
49	4DR4EL	4	49503 261 2228
	4DR5EL		49503 257 2228
50	Drain Plug	1	92478 6
51*	Gasket, Tank	1	21437000000
52	Lantern (Bracket)	1	21579020000
53	Cap Screw	4	49511 156 2210
54*	Shim, Lantern	2	15669000000
55	Cap Screw	12	49511 102 2210
64	Slinger	1	20831000000
66	Bearing Cap	1	32894020000
67	Retaining Ring	1	81545 354 0000
68	Bearing Housing	1	32930020000
69	Alemite Fitting	1	9008-01610
70	Valve, Relief	1	9008-01610
71	Bearing, Inboard	1	8050-63080
72	Shaft	1	31796000000
73	Shaft Ext Key	1	A00121g1052213
74	Bearing, Outboard	1	8050-63080
75	Shim, Bearing	2	24245000000
76	Retaining Ring	1	81545 354 0000
77	Bearing Cap	1	32933020000

** Recommended Spares*

20EVP-9A1
 1 HP, Single Phase Motor

Key No.	Description	Old P/N	New P/N
1	Drain Plug	CP 711509003	6K143
2	Cover (Base)	2361302	1K398
3	Gasket (Cover)	52432583017	5K297
4	Locknut, Impeller	1595900	13K298
5	Washer, Impeller	1595700	13K299
6	Impeller, Open	2348004	2K869
7	Diffuser	2032104	1K397
8	O-Ring, Diffuser	52118636005	5K296
9	Shim, Impeller	2355700	4K490
10	Spacer, Impeller	2281600	1K396
11	Seal Assembly (Viton)	29163	10K127
	Seal Assembly (Teflon / Kalrez)		10K109
12	Tank (Casing)	2361102	1K395
13	Shim, Motor	1543500	4K485
14	Key, Impeller	CP677151162	4K489
15	Capscrew, Cover	CP611271468	13K297
	Lockwasher, Cover	CP655011032	13K300
16	Capscrew, Motor	CP611271421	13K296
	Lockwasher, Motor	CP655011030	4K487
17	Slinger	2770700	27707
18	Elbow, Tank	CP711369006	6K144
19	Plug, Fill	CP711509006	6K142
20	Motor, 1 HP, Single Phase	45683	45683R

20EVP-9A3
1 HP, Three Phase Motor

Key No.	Description	Old P/N	New P/N
1	Drain Plug	CP 711509003	6K143
2	Cover (Base)	2361302	1K398
3	Gasket (Cover)	52432583017	5K297
4	Locknut, Impeller	1595900	13K298
5	Washer, Impeller	1595700	13K299
6	Impeller, Open	2348004	2K869
7	Diffuser	2032104	1K397
8	O-Ring, Diffuser	52118636005	5K296
9	Shim, Impeller	2355700	4K490
10	Spacer, Impeller	2281600	1K396
11	Seal Assembly (Viton)	29163	10K127
	Seal Assembly (Teflon / Kalrez)		10K109
12	Tank (Casing)	2361102	1K395
13	Shim, Motor	1543500	4K485
14	Key, Impeller	CP677151162	4K489
15	Capscrew, Cover	CP611271468	13K297
	Lockwasher, Cover	CP655011032	13K300
16	Capscrew, Motor	CP611271421	13K296
	Lockwasher, Motor	CP655011030	4K487
17	Slinger	2770700	27707
18	Elbow, Tank	CP711369006	6K144
19	Plug, Fill	CP711509006	6K142
20	Motor, 1 HP, Three Phase	45684	45684R

20EVP-10A1
 1 HP, Single Phase Motor

Key No.	Description	Old P/N	New P/N
1	Drain Plug	CP 711509003	6K143
2	Cover (Base)	2361302	1K398
3	Gasket (Cover)	52432583017	5K297
4	Locknut, Impeller	1595900	13K298
5	Washer, Impeller	1595700	13K299
6	Impeller, Closed	2343804	2K872
7	Diffuser	2343904	1K402
8	O-Ring, Diffuser	52118636005	5K296
9	Shim, Impeller	2355700	4K490
10	Spacer, Impeller	2281600	1K396
11	Seal Assembly (Viton)	29163	10K127
	Seal Assembly (Teflon / Kalrez)		10K109
12	Tank (Casing)	2361102	1K395
13	Shim, Motor	1543500	4K485
14	Key, Impeller	CP677151162	4K489
15	Capscrew, Cover	CP611271468	13K297
	Lockwasher, Cover	CP655011032	13K300
16	Capscrew, Motor	CP611271421	13K296
	Lockwasher, Motor	CP655011030	4K487
17	Slinger	2770700	27707
18	Elbow, Tank	CP711369006	6K144
19	Plug, Fill	CP711509006	6K142
20	Motor, 1 HP, Single Phase	45683	45683R

20EVP-10A3
1 HP, Three Phase Motor

Key No.	Description	Old P/N	New P/N
1	Drain Plug	CP 711509003	6K143
2	Cover (Base)	2361302	1K398
3	Gasket (Cover)	52432583017	5K297
4	Locknut, Impeller	1595900	13K298
5	Washer, Impeller	1595700	13K299
6	Impeller, Closed	2343804	2K872
7	Diffuser	2343904	1K402
8	O-Ring, Diffuser	52118636005	5K296
9	Shim, Impeller	2355700	4K490
10	Spacer, Impeller	2281600	1K396
11	Seal Assembly (Viton)	29163	10K127
	Seal Assembly (Teflon / Kalrez)		10K109
12	Tank (Casing)	2361102	1K395
13	Shim, Motor	1543500	4K485
14	Key, Impeller	CP677151162	4K489
15	Capscrew, Cover	CP611271468	13K297
	Lockwasher, Cover	CP655011032	13K300
16	Capscrew, Motor	CP611271421	13K296
	Lockwasher, Motor	CP655011030	4K487
17	Slinger	2770700	27707
18	Elbow, Tank	CP711369006	6K144
19	Plug, Fill	CP711509006	6K142
20	Motor, 1 HP, Three Phase	45684	45684R

20EVP-11A1
 1.5 HP, Single Phase Motor

Key No.	Description	Old P/N	New P/N
1	Drain Plug	CP 711509003	6K143
2	Cover (Base)	2361302	1K398
3	Gasket (Cover)	52432583017	5K297
4	Locknut, Impeller	1595900	13K298
5	Washer, Impeller	1595700	13K299
6	Impeller, Closed	2343804	2K872
7	Diffuser	2343904	1K401
8	O-Ring, Diffuser	52118636005	5K296
9	Shim, Impeller	2355700	4K490
10	Spacer, Impeller	2281600	1K396
11	Seal Assembly (Viton)	29163	10K127
	Seal Assembly (Teflon / Kalrez)		10K109
12	Tank (Casing)	2361102	1K395
13	Shim, Motor	1543500	4K485
14	Key, Impeller	CP677151162	4K489
15	Capscrew, Cover	CP611271468	13K297
	Lockwasher, Cover	CP655011032	13K300
16	Capscrew, Motor	CP611271421	13K296
	Lockwasher, Motor	CP655011030	4K487
17	Slinger	27255	4K484
18	Elbow, Tank	CP711369006	6K144
19	Plug, Fill	CP711509006	6K142
20	Motor, 1.5 HP, Single Phase	43063	43063R

20EVP-11A3
 1.5 HP, Three Phase Motor

Key No.	Description	Old P/N	New P/N
1	Drain Plug	CP 711509003	6K143
2	Cover (Base)	2361302	1K398
3	Gasket (Cover)	52432583017	5K297
4	Locknut, Impeller	1595900	13K298
5	Washer, Impeller	1595700	13K299
6	Impeller, Closed	2343804	2K872
7	Diffuser	2572204	1K401
8	O-Ring, Diffuser	52118636005	5K296
9	Shim, Impeller	2355700	4K490
10	Spacer, Impeller	2281600	1K396
11	Seal Assembly (Viton)	29163	10K127
	Seal Assembly (Teflon / Kalrez)		10K109
12	Tank (Casing)	2361102	1K395
13	Shim, Motor	1543500	4K485
14	Key, Impeller	CP677151162	4K489
15	Capscrew, Cover	CP611271468	13K297
	Lockwasher, Cover	CP655011032	13K300
16	Capscrew, Motor	CP611271421	13K296
	Lockwasher, Motor	CP655011030	4K487
17	Slinger	2770700	27707
18	Elbow, Tank	CP711369006	6K144
19	Plug, Fill	CP711509006	6K142
20	Motor, 1.5 HP, Three Phase	44311	44311R

20EVP-12A1
 1.5 HP, Single Phase Motor

Key No.	Description	Old P/N	New P/N
1	Drain Plug	CP 711509003	6K143
2	Cover (Base)	2361302	1K398
3	Gasket (Cover)	52432583017	5K297
4	Locknut, Impeller	1595900	13K298
5	Washer, Impeller	1595700	13K299
6	Impeller, Closed	2281404	2K871
7	Diffuser	2281504	1K400
8	O-Ring, Diffuser	52118636005	5K296
9	Shim, Impeller	2355700	4K490
10	Spacer, Impeller	2281600	1K396
11	Seal Assembly (Viton)	29163	10K127
	Seal Assembly (Teflon / Kalrez)		10K109
12	Tank (Casing)	2361102	1K395
13	Shim, Motor	1543500	4K485
14	Key, Impeller	CP677151162	4K489
15	Capscrew, Cover	CP611271468	13K297
	Lockwasher, Cover	CP655011032	13K300
16	Capscrew, Motor	CP611271421	13K296
	Lockwasher, Motor	CP655011030	4K487
17	Slinger	27255	4K484
18	Elbow, Tank	CP711369006	6K144
19	Plug, Fill	CP711509006	6K142
20	Motor, 1.5 HP, Single Phase	43063	43063R

20EVP-12A3
 1.5 HP, Three Phase Motor

Key No.	Description	Old P/N	New P/N
1	Drain Plug	CP 711509003	6K143
2	Cover (Base)	2361302	1K398
3	Gasket (Cover)	52432583017	5K297
4	Locknut, Impeller	1595900	13K298
5	Washer, Impeller	1595700	13K299
6	Impeller, Closed	2281404	2K871
7	Diffuser	2281504	1K400
8	O-Ring, Diffuser	52118636005	5K296
9	Shim, Impeller	2355700	4K490
10	Spacer, Impeller	2281600	1K396
11	Seal Assembly (Viton)	29163	10K127
	Seal Assembly (Teflon / Kalrez)		10K109
12	Tank (Casing)	2361102	1K395
13	Shim, Motor	1543500	4K485
14	Key, Impeller	CP677151162	4K489
15	Capscrew, Cover	CP611271468	13K297
	Lockwasher, Cover	CP655011032	13K300
16	Capscrew, Motor	CP611271421	13K296
	Lockwasher, Motor	CP655011030	4K487
17	Slinger	2770700	27707
18	Elbow, Tank	CP711369006	6K144
19	Plug, Fill	CP711509006	6K142
20	Motor, 1.5 HP, Three Phase	44311	44311R

20EVP-12A2
 2 HP, Three Phase Motor

Key No.	Description	Old P/N	New P/N
1	Drain Plug	CP 711509003	6K143
2	Cover (Base)	2361302	1K398
3	Gasket (Cover)	52432583017	5K297
4	Locknut, Impeller	1595900	13K298
5	Washer, Impeller	1595700	13K299
6	Impeller, Closed	2281404	2K871
7	Diffuser	2281504	1K400
8	O-Ring, Diffuser	52118636005	5K296
9	Shim, Impeller	2355700	4K490
10	Spacer, Impeller	2281600	1K396
11	Seal Assembly (Viton)	29163	10K127
	Seal Assembly (Teflon / Kalrez)		10K109
12	Tank (Casing)	2361102	1K395
13	Shim, Motor	1543500	4K485
14	Key, Impeller	CP677151162	4K489
15	Capscrew, Cover	CP611271468	13K297
	Lockwasher, Cover	CP655011032	13K300
16	Capscrew, Motor	CP611271421	13K296
	Lockwasher, Motor	CP655011030	4K487
17	Slinger	27255	4K484
18	Elbow, Tank	CP711369006	6K144
19	Plug, Fill	CP711509006	6K142
20	Motor, 2HP, Three Phase	42951	42951R

20EVP-17A3
 2 HP, Three Phase Motor

Key No.	Description	Old P/N	New P/N
1	Drain Plug	CP 711509003	6K143
2	Cover (Base)	2361302	1K398
3	Gasket (Cover)	52432583017	5K297
4	Locknut, Impeller	1595900	13K298
5	Washer, Impeller	1595700	13K299
6	Impeller, Closed	2281404	2K870
7	Diffuser	2281504	1K399
8	O-Ring, Diffuser	52118636005	5K296
9	Shim, Impeller	2355700	4K490
10	Spacer, Impeller	2281600	1K396
11	Seal Assembly (Viton)	29163	10K127
	Seal Assembly (Teflon / Kalrez)		10K109
12	Tank (Casing)	2361102	1K395
13	Shim, Motor	1543500	4K485
14	Key, Impeller	CP677151162	4K489
15	Capscrew, Cover	CP611271468	13K297
	Lockwasher, Cover	CP655011032	13K300
16	Capscrew, Motor	CP611271421	13K296
	Lockwasher, Motor	CP655011030	4K487
17	Slinger	27255	4K484
18	Elbow, Tank	CP711369006	6K144
19	Plug, Fill	CP711509006	6K142
20	Motor, 1 HP, Three Phase	42951	42951R

**WHIRL-FLO
2DW**

Item No.	Key No.	Description	Part Number	Material
100	5	Casing	44554020000	Iron
			44555080000	HC600
			44555100000	316SS
		Casing (with Cleanout)	N/A	Iron
			N/A	HC600
			N/A	316SS
101	13	Impeller (10" Max)	42978020***	Iron
			42978080***	HC600
			42978100***	316SS
		2DWC20 (Full Dia. Only)	RTF	HC600
*** Specifies Impeller Trim				
105	30	Lantern Ring	43608000000	Teflon
106	29	Packing	5026-0050 0794	Acrylic/Graphite
107	32	Gland	34523000000	CI
			42913000000	304SS
112C/168C	49	Ball Bearing - Grease or Oil	8050-63081	Steel
113A	42	Breather, Brg. Hsg. - Oil (STD)	40234000000	Steel
		Breather, Brg. Hsg. - Gr.	A00970A0012210	Steel
119C	55	Otb. Bearing Cap - Oil (STD)	42737020000	CI
		Otb. Bearing Cap - Gr.	42944020000	CI
122	51	Shaft - Cast Iron Const.	43342000000	Steel
		Shaft - HC600 Const.	43341000000	Steel
		Shaft - 316SS Const.	43343000000	316SS
123	36	Deflector	42911000000	Buna
126	15	Sleeve 1¾" OD	42887000000	416SS
			42888000000	316SS
134C	43	Bearing Housing - Oil (STD)	42741020000	CI
		Bearing Housing - GR	46696020000	CI
178	50	Impeller Key	49501 27 2213	Steel
			49501 24 2229	316SS
184	27	Stuffing Box Cover	44568020000	CI
			44568100000	316SS
199	12	Impeller Washer	91058 136 2452	17-7PH
231	18	Liner, SB Cover, HC600 Only	44575080000	HC600
239	1	Foot, Casing, CI and 316SS Const.	43072000000	Steel
		Foot, Casing, HC600 Const.	43073000000	Steel
239A	46	Foot, Bearing Hsg.	42916000000	Steel

continued on next page

WHIRL-FLO
2DW continued from previous page

Item No.	Key No.	Description	Part Number	Material
251	41	Oiler (Optional)	39262000000	
304	11	Impeller Nut	51598000000	18-8SS
331	53	Shim, Bearing	24245000000	Steel
332/333	37	Lip Seal	8690-63655	Nitrile
351	17	Gasket, S. Box-Liner-Casing	42910000000	Cellulose Fiber
383	31	Seal, mech., 1 $\frac{3}{4}$ " --	43424000000	Car.vs Cer./ Buna
		John Crane 8D DBL	43425000000	Car.vs Cer./ Viton
400	52	Coupling Key	A00029E1222213	Steel
412A	14	O-Ring, Shaft Sleeve	C02495A2205302	Nitrile (Buna)
412Y	54	Gasket, End Cap, Brg HSG - Oil	42744000000	Cellulose Fiber
		Gasket, End Cap, Brg HSG - Gr	42745000000	Cellulose Fiber
469D	16	Pin, Sleeve	80860 40 2223	420SS
788Z	57	Screw, End Cap	49511 52 2210	Steel
790K	26	Roll Pin, Csg - SB Cover, CI	80860 37 2210	Steel
		Roll Pin, Csg -Liner -SB Cover, HC600	80860 35 2210	Steel
		Roll Pin, Csg - SB Cover, 316SS	80860 37 2226	18-8

**WHIRL-FLO
3DW**

Item No.	Key No.	Description	Part Number	Material
100	5	Casing	44543020000	Iron
			44545080000	HC600
			44545100000	316SS
		Casing (with Cleanout)	44542020000	Iron
			44544080000	HC600
			44544100000	316SS
101	13	Impeller (9" Max)	42813020***	Iron
			42813080***	HC600
			42813100***	316SS
		3DWC22 (Full Dia. Only)	45056080000	HC600
*** Specifies Impeller trim				
105	30	Lantern Ring	43608000000	Teflon
106	29	Packing	5026-0050 0794	Acrylic/Graphite
107	32	Gland	34523000000	CI
			42913000000	304SS
112C/168C	49	Ball Bearing - Grease or Oil	8050-63081	Steel
113A	42	Breather, Brg. Hsg. - Oil (STD)	40234000000	Steel
		Breather, Brg. Hsg. - Gr.	A00979A0012210	Steel
119C	55	Otb. Bearing Cap - Oil (STD)	42737020000	CI
		Otb. Bearing Cap - Gr	42944020000	CI
122	51	Shaft - Cast iron Const	42890000000	Steel
		Shaft - HC600 Const.	43061000000	Steel
		Shaft - 316SS Const	42889000000	316SS
123	36	Deflector	42911000000	Buna
126	15	Sleeve 1¾" OD	42887000000	416SS
			42888000000	316SS
134C	43	Bearing Housing - Oil (STD)	42741020000	CI
		Bearing Housing - GR	46696020000	CI
175	7	Handhole Cover - CI Const	42812020000	CI
		Handhole Cover - HC600 Const	42812080000	HC600
		Handhole Cover - 316SS Const	42812100000	316SS
178	50	Impeller Key	49501 27 2213	Steel
			49501 24 2229	316SS
184	27	Stuffing Box Cover	44569020000	CI
			44569100000	316SS
199	12	Impeller Washer	91058 136 2452	17-7PH
231	18	Liner, SB Cover, HC600 Only	44576080000	HC600

continued on next page

WHIRL-FLO
3DW continued from previous page

Item No.	Key No.	Description	Part Number	Material
239	1	Foot, Casing, CI, 316SS Const.	42999000000	Steel
		Foot, Casing, HC600 Const.	43003000000	Steel
239A	46	Foot, Bearing Hsg.	42916000000	Steel
251	41	Oiler (Optional)	72531 5 8683	
304	11	Impeller Nut	51598000000	18-8SS
331	53	Shim, Bearing	24245000000	Steel
332/333	37	Lip Seal	8690-63655	Nitrile
351	17	Gasket, S. Box-Liner-Casing	42910000000	Cellulose Fiber
360S	10	Screw, Handhole, CI	49511 204 2210	Steel
		Screw, Handhole, 316SS	49511 204 2226	316SS
360T	6	O-Ring, Handhole Cover	C02495A3375302	Buna-N
383	31	Seal, mech., 1 $\frac{3}{4}$ " --	43424000000	Car.vs Cer./Buna
		John Crane 8D DBL	43425000000	Car.vs Cer./Viton
400	52	Coupling Key	A00029E1222213	Steel
412A	14	O-Ring, Shaft Sleeve	C02495A2205302	Nitrile (Buna)
412Y	54	Gasket, End Cap, Brg HSG - Oil	42744000000	Cellulose Fiber
		Gasket, End Cap, Brg HSG - Gr	42745000000	Cellulose Fiber
469D	16	Pin, Sleeve	80860 40 2223	420SS
788Z	57	Screw, End Cap	49511 52 2210	Steel
790K	26	Roll Pin, Csg - SB Cover, CI	80860 37 2210	Steel
		Roll Pin, Csg -Liner -SB Cover, HC600	80860 35 2210	Steel
		Roll Pin, Csg - SB Cover, 316SS	80860 37 2226	18-8
790M	8	Washer, Handhole Cover, CI, HC600	49519 6 2210	Steel
		Washer, Handhole Cover, 316SS	49519 6 2226	316SS

**WHIRL-FLO
3EW**

Item No.	Key No.	Description	Part Number	Material
100	5	Casing	44557080000	HC600
				316SS
		Casing (with Cleanout)		HC600
				316SS
101	13	Impeller (12" Max)	43015080***	HC600
			43015100***	316SS
		3DWC22 (Full Dia. Only)	44640080***	HC600
*** Specifies Impeller trim				
105	30	Lantern Ring	43609000000	Teflon
106	29	Packing 0.5" SQ X 8.625" LG	5026-0050 0862	Acrylic/Graphite
107	32	Gland	34524000000	CI
				304SS
112C/168C	49	Ball Bearing - Grease or Oil	8055-30800	Steel
113A	42	Breather, Brg. Hsg. - Oil (STD)	40234000000	Steel
		Breather, Brg. Hsg. - Gr.	A00979A0012210	Steel
119C	55	Otb. Bearing Cap - Oil (STD)	42737020000	CI
		Otb. Bearing Cap - Gr	42944020000	CI
122	51	Shaft - HC600 Const	43338000000	Steel
		Shaft - 316SS Const		316SS
123	36	Deflector	21608000000	Buna
126	15	Sleeve 2.0" OD	43010000000	416SS
			43011000000	316SS
134C	43	Bearing Housing - Oil (STD)	42741020000	CI
		Bearing Housing - GR	46696020000	CI
175	7	Handhole Cover - HC600 Const	42812080000	HC600
		Handhole Cover - 316SS Const		316SS
178	50	Impeller Key	49501 28 2213	Steel
			49501 25 2229	316SS
184	27	Stuffing Box Cover	44570020000	CI
199	12	Impeller Washer	91058 136 2452	17-7PH
231	18	Liner, SB Cover, HC600 Only	44577080000	HC600
239	1	Foot, Casing, HC600 Const.	43075000000	Steel
		Foot, Casing, 316SS const.	43074000000	Steel

continued on next page

WHIRL-FLO
3EW continued from previous page

Item No.	Key No.	Description	Part Number	Material
239A	46	Foot, Bearing Hsg.	42916000000	Steel
251	41	Oiler (Optional)	39262000000	
304	11	Impeller Nut	51598000000	18-8SS
331	53	Shim, Bearing	24245000000	Steel
332/333	37	Lip Seal	8690-63655	Nitrile
351	17	Gasket, S. Box-Liner-Casing	42910000000	Cellulose Fiber
360S	10	Screw, Handhole, CI	49511 204 2210	Cellulose Fiber
		Screw, Handhole, 316SS	49511 204 2226	Steel
360T	6	O-Ring, Handhole Cover	C02495A3375302	Buna-N
383	31	Seal, Mech., 2.0" --	43426000000	Steel
		John Crane 8D DBL	43427000000	316SS
400	52	Coupling Key	A00029E1222213	Steel
412A	14	O-Ring, Shaft Sleeve	C02495A2205302	Nitrile (Buna)
412Y	54	Gasket, End Cap, Brg HSG - Oil	42744000000	Cellulose Fiber
		Gasket, End Cap, Brg HSG - Gr	42745000000	Cellulose Fiber
469D	16	Pin, Sleeve	80860 40 2223	420SS
788Z	57	Screw, End Cap	49511 52 2210	Steel
790K	26	Roll Pin, Csg - SB Cover, CI	80860 37 2210	Steel
		Roll Pin, Csg -Liner -SB Cover, HC600	80860 35 2210	Steel
		Roll Pin, Csg - SB Cover, 316SS	80860 37 2226	18-8
790M	8	Washer, Handhole Cover, CI, HC600	49519 6 2210	Steel
		Washer, Handhole Cover, 316SS	49519 6 2226	316SS

**WHIRL-FLO
4DW**

Item No.	Key No.	Description	Part Number	Material
100	5	Casing	44540020000	Iron
			44541080000	HC600
			44541100000	316SS
		Casing (with Cleanout)	44538020000	Iron
			44539080000	HC600
			44539100000	316SS
101	13	Impeller (10" Max)	42778020***	Iron
			42778080***	HC600
			42778100***	316SS
		4DWC19 (Full Dia. Only)	45000080000	HC600
*** Specifies Impeller Trim				
105	30	Lantern Ring	43608000000	Teflon
106	29	Packing	50260050 0794	Acrylic/Graphite
107	32	Gland	34523000000	CI
			42913000000	304SS
112C/168C	49	Ball Bearing - Grease or Oil	8050-63081	Steel
113A	42	Breather, Brg. Hsg. - Oil (STD)	40234000000	Steel
		Breather, Brg. Hsg. - Gr.	A00979A0012210	Steel
119C	55	Otb. Bearing Cap - Oil (STD)	42737020000	CI
		Otb. Bearing Cap - Gr.	42944020000	CI
122	51	Shaft - Cast iron Const.	42890000000	Steel
		Shaft - HC600 Const.	43061000000	Steel
		Shaft - 316SS Const.	42889000000	316SS
123	36	Deflector	42911000000	Buna
126	15	Sleeve 1¾" OD	42887000000	416SS
			42888000000	316SS
134C	43	Bearing Housing - Oil (STD)	42741020000	CI
		Bearing Housing - GR	46696020000	CI
175	7	Handhole Cover - CI Const.	42777020000	CI
		Handhole Cover - HC600 Const.		HC600
		Handhole Cover - 316SS Const.		316SS
178	50	Impeller Key	49501 27 2213	Steel
			49501 24 2229	316SS
184	27	Stuffing Box Cover	44569020000	CI
			44569100000	316SS
199	12	Impeller Washer	91058 136 2452	17-7PH
231	18	Liner, SB Cover, HC600 Only	44576080000	HC600

continued on next page

WHIRL-FLO
4DW continued from previous page

Item No.	Key No.	Description	Part Number	Material
239	1	Foot, Casing, CI,316SS Const.	42915000000	Steel
		Foot, Casing, HC600 Const.		Steel
239A	46	Foot, Bearing Hsg.	42916000000	Steel
251	41	Oiler (Optional)	72531 5 8683	
304	11	Impeller Nut	51598000000	18-8SS
331	53	Shim, Bearing	24245000000	Steel
332/333	37	Lip Seal	8690-63655	Nitrile
351	17	Gasket, S. Box-Liner-Casing	42910000000	Cellulose Fiber
360S	10	Screw, Handhole, CI	49511 253 2210	Steel
		Screw, Handhole, 316SS	49511 253 2226	316SS
360T	6	O-ring, Handhole cover	42908000000	Buna-N
383	31	Seal, mech., 1¾" --	43424000000	Car.vs Cer./Buna
		John Crane 8D DBL	43425000000	Car.vs Cer./Viton
400	52	Coupling Key	A00029E1222213	Steel
412A	14	O-Ring, Shaft Sleeve	C02495A2205302	Nitrile (Buna)
412Y	54	Gasket, End Cap, Brg HSG - Oil	42744000000	Cellulose Fiber
		Gasket, End Cap, Brg HSG - Gr	42745000000	Cellulose Fiber
469D	16	Pin, Sleeve	80860 40 2223	420SS
788Z	57	Screw, End Cap	49511 52 2210	Steel
790K	26	Roll Pin, Csg - SB Cover, CI	80860 37 2210	Steel
		Roll Pin, Csg -Liner -SB Cover, HC600	80860 35 2210	Steel
		Roll Pin, Csg - SB Cover, 316SS	80860 37 2226	18-8
790M	8	Washer, Handhole Cover, CI, HC600	49519 8 2210	Steel
		Washer, Handhole Cover, 316SS	49519 8 2226	316SS

**WHIRL-FLO
4FW7**

Item No.	Key No.	Description	Part Number	Material
100	5	Casing	44551020000	Iron
			44553080000	HC600
			44553100000	316SS
		Casing (with Cleanout)	44550020000	Iron
			44552080000	HC600
			44552100000	316SS
101	13	Impeller (14" Max)	42904020***	Iron
			42904080***	HC600
			42904100***	316SS
		Cupped Impeller (Full Dia. Only)	N/A	HC600
*** Specifies Impeller Trim				
105	30	Lantern Ring	43610000000	Teflon
106	29	Packing 0.5" SQ x 10.719	5026-0050 1072	Acrylic/Graphite
107	32	Gland	34526000000	CI
			43209000000	304SS
112C/168C	49	Ball Bearing - Grease or Oil	8055-31301	Steel
113A	42	Breather, Brg. Hsg. - Oil / Gr.	40234000000	Steel
119C	55	Otb. Bearing Cap - Oil (STD)	42874020000	CI
		Otb. Bearing Cap - Gr.	42943020000	CI
122	51	Shaft - Cast iron Const.	43068000000	Steel
		Shaft - HC600 Const.	43329000000	Steel
		Shaft - 316SS Const.	43069000000	316SS
123	36	Deflector	43057000000	Buna
126	15	Sleeve,packing only, 2.75" OD	43052000000	416SS
		Sleeve,packing only, 2.75" OD	43051000000	316SS
		Sleeve, mech seal only, 2.375" OD	48968200000	416SS
		Sleeve, mech seal only, 2.375" OD	48968100000	316SS
134C	43	Bearing Housing - Oil - Gr.	42875020000	CI
175	7	Handhole Cover - CI Const.	42777020000	CI
		Handhole Cover - HC600 Const.	42777080000	HC600
		Handhole Cover - 316SS Const.	42777100000	316SS
178	50	Impeller Key	49501 26 2213	Steel
			49501 26 2229	316SS
184	27	Stuffing Box Cover	44571020000	CI
			44571100000	316SS
199	12	Impeller Washer	91058 201 2452	17-7PH
231	18	Liner, SB Cover, HC600 Only	44578080000	HC600

continued on next page

WHIRL-FLO
4FW7 continued from previous page

Item No.	Key No.	Description	Part Number	Material
239	1	Foot, Casing, CI, 316SS Const.	43076000000	Steel
		Foot, Casing, HC600 Const.	43077000000	Steel
251	41	Oiler (Optional)	72531 5 8683	
304	11	Impeller Nut	43207000000	18-8SS
331	53	Shim, Bearing	40223000000	Steel
332/333	37	Lip Seal	8690-10752	Nitrile
351	17	Gasket, S. Box-Liner-Casing	43331000000	Cellulose Fiber
360S	10	Screw, Handhole, CI	49511 253 2210	Steel
		Screw, Handhole, 316SS	49511 253 2226	316SS
360T	6	O-Ring, Handhole Cover	C02495A3455302	Buna-N
383	31	Seal, mech., 2.375" --	48988000000	Car.vs Cer./Buna
		John Crane 21 DBL	48969000000	Car.vs Cer./Viton
400	52	Coupling Key	A00121G2132213	Steel
412A	14	O-Ring, Shaft Sleeve	C02495A2255302	Nitrile (Buna)
412Y	54	Gasket, End Cap, Brg HSG - Oil	42997000000	Cellulose Fiber
		Gasket, End Cap, Brg HSG - Gr.	42998000000	Cellulose Fiber
469D	16	Pin, Sleeve	80860 40 2223	420SS
788Z	57	Screw, End Cap	49511 203 2210	Steel
790K	26	Roll Pin, Csg - SB Cover, CI	80860 38 2210	Steel
		Roll Pin, Csg -Liner -SB Cover, HC600	80860 11	Steel
		Roll Pin, Csg - SB Cover, 316SS	80860 38 2226	18-8
790M	8	Washer, Handhole Cover, CI, HC600	49519 8 2210	Steel
		Washer, Handhole Cover, 316SS	49519 8 2226	316SS

**WHIRL-FLO
6EW**

Item No.	Key No.	Description	Part Number	Material
100	5	Casing	44547020000	Iron
			44546080000	HC600
			44546100000	316SS
		Casing (with Cleanout)	44549020000	Iron
			44548080000	HC600
			44548100000	316SS
101	13	Impeller (11" Max)	42871020***	Iron
			42871080***	HC600
			42871100***	316SS
		6EWC27 (Full Dia. Only)	44928080000	HC600
*** Specifies Impeller Trim				
105	30	Lantern Ring	43610000000	Teflon
106	29	Packing 0.5" SQ x 10.719	5026-0050 1072	Acrylic/Graphite
107	32	Gland	34526000000	CI
			43209000000	304SS
112C/168C	49	Ball Bearing - Grease or Oil	8050 313600000	Steel
113A	42	Breather, Brg. Hsg. - Oil / Gr.	40234000000	Steel
119C	55	Otb. Bearing Cap - Oil (STD)	42874020000	CI
		Otb. Bearing Cap - Gr.	42943020000	CI
122	51	Shaft - Cast Iron Const.	43054000000	Steel
		Shaft - HC600 Const.	43061000000	Steel
		Shaft - 316SS Const.	43053000000	316SS
123	36	Deflector	43057000000	Buna
126	15	Sleeve, Packing Only, 2.75" OD	43052000000	416SS
		Sleeve, Packing Only, 2.75" OD	43051000000	316SS
		Sleeve, Mech. Seal Only, 2.375" OD	48968200000	416SS
		Sleeve, Mech. Seal Only, 2.375" OD	48968100000	316SS
134C	43	Bearing Housing - Oil - Gr.	42875020000	CI
175	7	Handhole Cover - CI Const.	42866020000	CI
		Handhole Cover - HC600 Const.	42866080000	HC600
		Handhole Cover - 316SS Const.	42866100000	316SS
178	50	Impeller Key	49501 26 2213	Steel
			49501 26 2229	316SS
184	27	Stuffing Box Cover	44572020000	CI
			44572100000	316SS
199	12	Impeller Washer	91058 201 2452	17-7PH
231	18	Liner, SB Cover, HC600 Only	44579080000	HC600

continued on next page

WHIRL-FLO
6EW continued from previous page

Item No.	Key No.	Description	Part Number	Material
239	1	Foot, Casing, CI, 316SS Const.	43055000000	Steel
		Foot, Casing, HC600 Const.	43059000000	Steel
239A	46	Foot, Bearing Hsg.	43056000000	Steel
251	41	Oiler (Optional)	39262000000	
304	11	Impeller Nut	43207000000	18-8SS
331	53	Shim, Bearing	40223000000	Steel
332/333	37	Lip Seal	8690-10752	Nitrile
351	17	Gasket, S. Box-Liner-Casing	43058000000	Cellulose Fiber
360S	10	Screw, Handhole, CI	49511 253 2210	Steel
		Screw, Handhole, 316SS	49511 253 2226	316SS
360T	6	O-ring, Handhole Cover	C02495A3455302	Buna-N
383	31	Seal, Mech., 2.375" --	48988000000	Car. vs Cer./Buna
		John Crane 21 DBL	48969000000	Car. vs Cer./Viton
400	52	Coupling Key	A00121G2132213	Steel
412A	14	O-Ring, Shaft Sleeve	C02495A2255302	Nitrile (Buna)
412Y	54	Gasket, End Cap, Brg HSG - Oil	42997000000	Cellulose Fiber
		Gasket, End Cap, Brg HSG - Gr.	42998000000	Cellulose Fiber
469D	16	Pin, Sleeve	80860 40 2223	420SS
788Z	57	Screw, End Cap	49511 203 2210	Steel
790K	26	Roll Pin, Csg - SB Cover, CI	80860 34 2210	Steel
		Roll Pin, Csg -Liner -SB Cover, HC600	80860 36 2210	Steel
		Roll Pin, Csg - SB Cover, 316SS	80860 34 2226	18-8
790M	8	Washer, Handhole Cover, CI, HC600	49519 8 2210	Steel
		Washer, Handhole Cover, 316SS	49519 8 2226	316SS

PRIME LINE 400

1½ x 2 - 4 (1½ HE19EL)

Item No.	Key No.	Description	Part Number	Material
100	1	Casing	33243060000	316
101	11	Impeller	35442060***	316
112C	26	Ball Bearing (Outboard)	8050-62022	Steel
113A	30	Relief Fitting	25083000000	Steel
122	25	Shaft	38687000000	316
123	21	Deflector	28486000000	
126A	9	Impeller Spacer	44526000000	316
134C	28	Bearing Housing	32366020000	Iron
150	6	Diffuser	31275060000	316
168C	24	Ball Bearing (Inboard)	8050-20360	Steel
178	32	Impeller Key	49501 9 2229	SS
184	14	Stuffing Box Cover	44498080000	316
193A	29	Grease Fitting	9008-01610	Steel
199	8	Impeller Washer	A03196A0092229	SS
237	23	Bearing Lock Collar	32391000000	Steel
304	31	Impeller Nut	49507 257 2229	SS
330	12	Shim, Impeller	38711000000	SS
351	4	Gasket, St. Box/Casing	23112000000	Nitrile
361	22	Retaining Ring	58101 156 2210	Steel
361A	27	Spring	32392000000	Steel
383	13	Seal Assembly	46134000000	
400	33	Coupling Key	49589 603 2213	Steel
412A	34	O-Ring	C02495A1146359	Teflon
563	5	Diffuser O-Ring	C02495A2286359	Teflon

PRIME LINE 400

2 x 2 - 9 (2SS1EL)

Item No.	Key No.	Description	Part Number	Material
100	01	Casing	45092100000	316
101	06	Impeller	45094100***	316
105	15	Lantern Ring	44937000000	Teflon
106	14 (5)	Packing	5026-0037 0597	Graphite Yarn
107	16	Gland Single/Packed	44939100000	316
112C/168C	36	Ball Bearing	8050-30760	Steel
113A	30	Vent	40233000000	Steel
119C	43	Bearing Cap	47845020000	Iron
122	38	Shaft	45095000000	316
123		Deflector	43659000000	
126	24	Shaft Sleeve	44938000000	316
134C	31	Bearing Housing	47866020000	Iron
178	37	Impeller Key	49589 105 2229	SS
184	10	Stuffing Box Cover	45093100000	316
193A		Grease Fitting	9008-01612	Steel
199	05	Washer	91058 136 2452	SS
239A	35	Mounting Foot	45096000000	Steel
251	29	Oiler (Optional)	72531 5 8683	
251C	27	Plug	63122 2 2130	Brass
304	04	Impeller Nut	51676000000	SS
331	40	Bearing Shim	23838000000	SS
332/333	42	Lip Seal	8690-62308	Nitrile
351	08	Gasket	15657000000	Nitrile
351W	07	O-Ring	C02495A3725302	Buna
353		Stud, Gland	A00118G1042229	SS
383		Seal Assembly	45184000000	
400	39	Coupling Key	49589 125 2213	Steel
412Y	41	Gasket	45099000000	Nitrile

PRIME LINE 400

3 x 3 - 11 (3SS1EL)

Item No.	Key No.	Description	Part Number	Material
100	01	Casing	44943100000	316
101	06	Impeller	44942100***	316
105	15	Lantern Ring	44937000000	Teflon
106	14 (5)	Packing	5026-0037 0597	Graphite Yarn
107	16	Gland Single/Packed	44939100000	316
112C/168C	36	Ball Bearing	8050-63081	Steel
113A	30	Vent		
		Grease Lubed (Std.)	A00970A001 2210	Steel
		Oil Lubed	40234000000	Steel
119C	43	Bearing Cap		
		Grease Lubed	42944020000	Iron
		Oil Lubed	42737020000	Iron
122	38	Shaft	44940000000	316
123		Deflector	43659000000	Buna N
126	24	Shaft Sleeve	44938000000	316
134C	31	Bearing Housing		
		Grease lubed (Std.)	46696020000	Iron
		Oil Lubed	42741020000	Iron
168C	36	Ball Bearing	8050-63081	Steel
178	37	Impeller Key	49589 105 2229	316
184	10	Stuffing Box Cover	44941100000	316
193A		Grease Fitting	9008-01612	Steel
199	05	Washer	91058 136 2452	SS
239A	35	Mounting Foot	44944000000	Steel
251	29	Oiler (Optional)	7253158683	
251C	27	Plug	63122 2 2130	Brass
304	04	Impeller Nut	51676000000	316
331	40	Bearing Shim	24245000000	SS
332	42	Lip Seal	8690-71835	Nitrile
333	25	Lip Seal	8690-63655	Nitrile
351	08	Gasket	21437000000	Nitrile
351W	07	O-Ring	C02495A2765302	Buna
353		Stud, Gland	A00118G1042229	316
383		Seal Assembly	45184000000	
400	39	Coupling Key	A00121G1052213	Steel
412Y	41	Gasket		
		Grease Lubed (Std.)	42745000000	Nitrile
		Oil Lubed	42744000000	Nitrile

PRIME LINE 400

3 x 3 - 13 (3SS2EL)

Item No.	Key No.	Description	Part Number	Material
100	01	Casing	45228100000	316
101	06	Impeller	45229100***	316
105	15	Lantern Ring	45223000000	Teflon
106	14 (5)	Packing	5026-0044 0738	Graphite Yarn
107	16	Gland Single/Packed	45239100000	316
112C	36	Ball Bearing	8055-21000	Steel
113A	30	Vent		
		Grease Lubed (Std.)	A00970A001 2210	Steel
		Oil Lubed	40234000000	Steel
119C	43	Bearing Cap		
		Grease Lubed	42944020000	Iron
		Oil Lubed	42737020000	Iron
122	38	Shaft	45231000000	316
123		Deflector	21608000000	Buna N
126	24	Shaft Sleeve	45232000000	316
134C	31	Bearing Housing		
		Grease Lubed (Std.)	46696020000	Iron
		Oil Lubed	42741020000	Iron
178	37	Impeller Key	49589 105 2229	316
193A		Grease Fitting	9008-01612	Steel
199	05	Washer	91058 136 2452	SS
251	29	Oiler (Optional)	72531 5 8683	
251C	27	Plug	63122 2 2130	Brass
304	04	Impeller Nut	51676000000	316
331	40	Bearing Shim	24245000000	SS
332/333	42	Lip Seal	8690-72164	Nitrile
351	08	Gasket	21924000000	Nitrile
351W	07	O-Ring	C02495A3825302	Nitrile
353		Stud, Gland	A00118G1042229	Buna
383		Seal Assembly	45226000000	
400	39	Coupling Key	A00121G1542213	Steel
412Y	41	Gasket		
		Grease Lubed (Std.)	42745000000	Nitrile
		Oil Lubed	42744000000	Nitrile

PRIME LINE 400

4 x 6 - 12 (4SS20EL), 6 x 6 - 11 (6SS4EL)

Item No.	Key No.	Description	Part Number	Material
100	1	Casing		
		4SS20	45019040000	316
		6SS4	45020040000	316
101	91	Impeller		
		4SS20	45033080***	316
		6SS4	45034080***	316
105	19	Lantern Ring	43609000000	Teflon
106	18(5)	Packing	5026-0050 0862	Graphite Yarn
107	23	Gland	41110080000	316
112C/168C	36	Ball Bearing	8050 313600000	Steel
113A	30	Vent	40234000000	Steel
122	38	Shaft	47114000000	316
123	63	Deflector	22679000000	
126	24	Shaft Sleeve	45028000000	316
134A	110	Bearing Carrier Used with 42875020000 Only	45341020000	Iron
134C	31	Bearing Housing		
		Adjustable (Std.)	42875020000	Iron
		Non-adjustable (Dbl. Seal Only)	45366020000	Iron
150	46	Diffuser		
		4SS20	41069080000	316
		6SS4	36676080000	316
178	37	Impeller Key	49501 29 2226	SS
184	10	Stuffing Box Cover	41100080000	316
184B	67	Frame Adapter	45030020000	Iron
199	5	Washer	91058 201 2452	SS
251	29	Oiler	72531 5 8683	
251C	29	Plug	63122 2 2130	Brass
304	4	Impeller Nut	43207000000	18-8 SS
			45399000000	SS
			45400000000	SS
332/333	42	Lip Seal	8690-10752	Nitrile
351	8	Gasket	21318000000	Nitrile Acrylic
353		Stud, Gland	A00118G1552229	316
356A	45	HHCS	49511 204 2210	Steel
361	106	Retaining Ring	58101 550 2210	Steel
361A	108	Retaining Ring	54496 255 2210	Steel
383		Seal Assembly	41191000000	Carb./Cer./Viton
400	39	Coupling Key	49589 307 2213	Steel
412A	104	O-Ring	C02495A2225304	Viton
469D	101	Roll Pin	80860 40 2223	SS
496	109	O-Ring	C02495A3625302	Buna
563	7	O-Ring	C02495A4385304	Viton

PRIME LINE 400

8 x 10 - 13 (8SS3EL)

Item No.	Key No.	Description	Part Number	Material
100	1	Casing	45021040000	316
101	91	Impeller	45035080***	316
105	19	Lantern Ring	43683000000	Teflon
106	18(5)	Packing	5026-0050 1000	Graphite Yarn
107	23	Gland	41110080000	316
112C/168C	36	Ball Bearing	8055-31301	Steel
113A	30	Vent	40234000000	Steel
122	38	Shaft	47115000000	316
123	63	Deflector	15646000000	Buna
126	24	Shaft Sleeve	45029000000	316
134A	110	Bearing Carrier	45341020000	Iron
134C	31	Bearing Housing	45366020000	Iron
150	46	Diffuser	36676080000	316
178	37	Impeller Key	49501 29 2226	SS
184	10	Stuffing Box Cover	41074080000	316
184B	67	Frame Adapter	45031020000	Iron
199	5	Washer	91058 202 2452	SS
251	29	Oiler	72531 5 8683	
251C	29	Plug	63122 2 2130	Brass
304	4	Impeller Nut	51647000000	SS
331	107	Shim	45399000000	SS
			45400000000	SS
332/333	42	Lip Seal	8690-10752	Nitrile
351	8	Gasket	21201000000	Nitrile
353		Stud, Gland	A00118G1552229	316
356A	45	HHCS	49511 204 2210	Steel
361	106	Retaining Ring	58101 550 2210	Steel
361A	108	Retaining Ring	54496 255 2210	Steel
383		Seal Assembly	41193000000	
400	39	Coupling Key	A00121G2612213	Steel
412A	104	O-Ring	C02495A2265304	Viton
469D	101	Roll Pin	80860 40 2223	SS
496	109	O-Ring	C02495A3625302	Buna
563	7	O-Ring	C02495A4485304	Viton

PRIME LINE 400
 10 x 10 - 12 (10SS61EL)

Item No.	Key No.	Description	Part Number	Material
100	1	Casing	45022040000	316
101	91	Impeller	39882080***	316
105	19	Lantern Ring	43683000000	Teflon
106	18(5)	Packing	5026-0050 1000	Graphite Yarn
107	23	Gland	41110080000	316
112C/168C	36	Ball Bearing	8055-31301	Steel
113A	30	Vent	40234000000	Steel
122	38	Shaft	47116000000	316
123	63	Deflector	15646000000	Buna
126	24	Shaft Sleeve	45029000000	316
134A	110	Bearing Carrier	45341020000	Iron
134C	31	Bearing Housing	45366020000	Iron
150	46	Diffuser	41067080000	316
184	10	Stuffing Box Cover	41075080000	316
184B	67	Frame Adapter	45031020000	Iron
199	5	Washer	91058 202 2452	SS
251	29	Oiler	72531 5 8683	
251C	29	Plug	63122 2 2130	Brass
304	4	Impeller Nut	51647000000	SS
331	107	Shim	45399000000	SS
			45400000000	SS
332/333	42	Lip Seal	8690-10752	Nitrile
351	8	Gasket	21201000000	Nitrile
353		Stud, Gland	A00118G1552229	316
361	106	Retaining Ring	58101 550 2210	Steel
361A	108	Retaining Ring	54496 255 2210	Steel
383		Seal Assembly	41193000000	
400	39	Coupling Key	A00121G2612213	Steel
412A	104	O-Ring	C02495A2265304	Viton
469D	101	Roll Pin	80860 40 2223	SS
496	109	O-Ring	C02495A3625302	Buna



Marlow Pumps is a brand of ITT Water Technology, Inc.
- a subsidiary of ITT Industries, Inc.

Marlow Pumps and the ITT Engineered Blocks Symbol are
registered trademarks and tradenames of ITT Industries.

© 2005 ITT Water Technology, Inc.
Revised Effective January, 2005
Printed in USA

SPECIFICATIONS ARE SUBJECT TO CHANGE WITHOUT NOTICE.

Marlow Pumps

