

**REPAIR PARTS**

RPRIMELINE

---

# Marlow Series Prime Line®

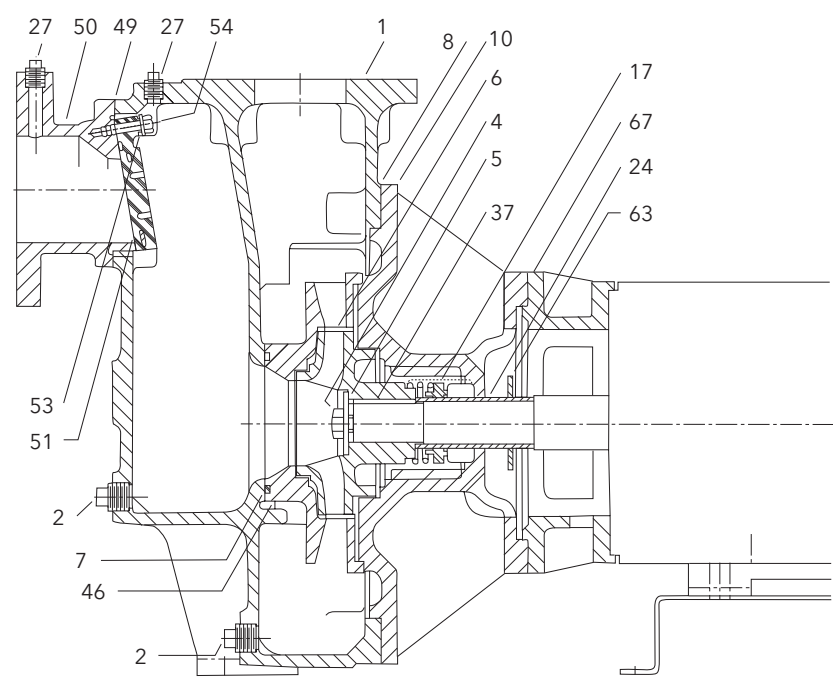
SELF-PRIMING CENTRIFUGAL PUMPS

REPAIR PARTS

---

 **GOULDS**  
WATER TECHNOLOGY  
a xylem brand

### Prime Line® M2P - M4P Pumps



### Prime Line 2" Pump End Parts - with 140JM, 180JM and S Frame Mounted (Mechanical Seal)

Item No.	Description	Material		Repair Part No.			
				M2P1	M2P2	M2P3	M2P4
				2x2-6	2x2-4	2x2-5	2x2-7
1	Casing	Cast Iron		45369020000R			
6	Impeller	Cast Iron	1750 RPM	45361020000 *			
				45361020688R			
				45361020650R			
				45361020613R			
			3450 RPM		45405020000 *		
	45405020488R						
	45405020462R						
	45405020438R	45474020519R	45498020575R				
	45405020413R	45474020494R					
10	Seal Housing	Iron		45362020000R			
17	Mechanical Seal Assembly 1 1/4" Bore	Car./Cer. Buna - STD.		27223200000R			
		Car./Cer. Viton		30927000000R			
		SilCar/SilCar Viton		46075200000R			
		SilCar/SilCar EPR		44061000000R			
24	Shaft Sleeve	316 SS	Close Coupled	4K668			
			S Frame	4K669			
46	Diffuser	Iron		45363020000R	45406020000R	45477020000R	45500020000R
50	Suction Inlet	Iron		45375020000R			
51	Check Valve	BUNA-N		46617000000R			
		Viton		46617200000R			
53	Keeper	304SS		45297000000R			
54	Shoulder Screw	416SS		46795000000R			
67	Motor Adapter	Iron		NA			
2	Plug, Pipe - Drain	Zinc Plated Steel	1/2 NPT	6K68			
4	Bolt, Impeller	SS w/Thread Lock	3/8"	13K43			
5	Washer, Impeller	SS	1 1/4 OD	51557000000R			
7	O-Ring, Diffuser	BUNA-N		C02495A3345302R			
		Viton		C02495A3345304R			
8	Gasket, Seal Hsg./Casing	Nitrile Acrylic		47102000000R			
27	Plug, Pipe - vent	Zinc Plated Steel	1/4 NPT	6K2			
37	Key, Impeller	Steel	3/16" x 3/16" x 1"	4K11			
49	Gasket, Suction Inlet	Nitrile Acrylic		47039000000R			
63	Slinger	Rubber		5K160			
NS	HHC Screw (Inlet)	Zinc Plated Steel	5/16-18 x 1.0	13K137			
NS	Washer, Lock (Inlet)	303SS	5/16	13K117			
NS	HHC Screw (Case)	Zinc Plated Steel	3/8-16 x 1.0	13K194			
NS	Washer, Lock (Case)	303SS	3/8	13K158			
NS	HHC Screw (Motor)	Zinc Plated Steel	3/8-16 x 1.0	13K194			
NS	Washer, Lock (Motor)	303SS	3/8	13K158			
NS	Bushing, Hex (Case Fill)	Cast Iron	1" NPT-1/4" NPT	6K178			

0000 \* - For Repairs use "R" Number Below

NS - Not Shown

### Prime Line 3" Pump End Parts - with 140JM, 180JM and S Frame Mounted (Mechanical Seal)

Item No.	Description	Material		Repair Part No.				
				M3P1	M3P2	M3P3**	M3P4**	
				3x3-9	3x3-5	3x3-8	3x3-7	
1	Casing	Cast Iron		45353020000R				
6	Impeller	Cast Iron	1750 RPM	45336020000 *			45754020000 *	
				45336020875R			45754020700R	
				45336020850R			45754020675R	
				45336020825R			45509020731R	45754020650R
				45336020800R			45509020694R	45754020625R
			45336020775R		45754020600R			
		3450 RPM			45421020513R			
					45421020475R			
10	Seal Housing	Iron		45334020000R				
17	Mechanical Seal Assembly 1½ Bore	Car./Cer. Buna - STD.		27223200000R				
		Car./Cer. Viton		30927000000R				
		SilCar/SilCar Viton		46075200000R				
		SilCar/SilCar EPR		44061000000R				
24	Shaft Sleeve	316 SS	Close Coupled	4K668				
			S Frame	4K669		NA	NA	
46	Diffuser	Iron		45335020000R	45424020000R	46194020000R	46193020000R	
50	Suction Inlet	Iron		45290020000R				
51	Check Valve	BUNA-N		46618000000R				
		Viton		46618200000R				
53	Keeper	304SS		45297000000R				
54	Shoulder Screw	416SS		46795000000R				
67	Motor Adapter	Iron		NA				
2	Plug, Pipe - Drain	Zinc Plated Steel	½ NPT	6K68				
4	Bolt, Impeller	SS w/thread lock	¾"	13K43				
5	Washer, Impeller	SS	1¼ OD	51557000000R				
7	O-Ring, Diffuser	BUNA-N		C02495A3455302R				
		Viton		C02495A3455304R				
8	Gasket, Seal Hsg./Casing	Nitrile Acrylic		47034000000R				
27	Plug, Pipe - Vent	Zinc Plated Steel	1/4 NPT	6K2				
37	Key, Impeller	Steel	¾" x ¾" x 1"	4K11				
49	Gasket, Suction Inlet	Nitrile Acrylic		47038000000R				
63	Slinger	Rubber		5K160				
NS	HHC Screw (Inlet)	Zinc Plated Steel	¾-16 x 1.25	13K80				
NS	Washer, Lock (Inlet)	303SS	¾	13K158				
NS	HHC Screw (Case)	Zinc Plated Steel	½-13 x 1.25	13K102				
NS	Washer, Lock (Case)	303SS	½	13K128				
NS	HHC Screw (Motor)	Zinc Plated Steel	¾-16 x 1.25	13K80				
NS	Washer, Lock (Motor)	303SS	¾	13K158				
NS	Bushing, Hex (Case Fill)	Cast Iron	1" NPT-¼" NPT	6K178				

0000 \* - For Repairs use "R" Number Below

\*\* - S - Bearing Frame Not Available

NS - Not Shown

### Prime Line 2" & 3" Pump End Parts - (Mechanical Seal) 210JP, 250JP, and ML Frame Mounted

Item No.	Description	Material		Repair Part No.					
				M2P3**	M2P4**	M3P2**	M3P3	M3P4	
				2x2-5	2x2-7	3x3-5	3x3-8	3x3-7	
1	Casing	Cast Iron		45369020000R4535302000R					
6	Impeller	Cast Iron	1750 RPM				45510020000 *		
							45510020806R		
							45510020769R		
			3450 RPM	45475020000 *	45499020000 *	45422020000 *	45510020000 *	45753020000 *	
				45475020569R	45499020688R	45422020588R	45510020806R	45753020700R	
45475020544R	45499020663R	45422020550R		45510020769R	45753020675R				
	45499020638R	45422020513R	45510020731R	45753020650R					
	45499020613R		45510020694R	45753020625R					
				45753020600R					
10	Seal Housing	Cast Iron		45476020000R		46615020000R			
17	Mechanical Seal Assembly 1½" Bore	Car./Cer./Buna - STD		A05669E000R			46983000000R		
		Car./Cer./Viton		A05670E000R			46984000000R		
		SilCar/SilCar/Viton		A05672E000R			10K186		
		SilCar/SilCar/EPR		A05671E000R			10K187		
24	Shaft Sleeve	316 SS	Close Coupled	4K713			4K713		
			ML Frame	NA	NA	NA	4K713		
46	Diffuser	Cast Iron		45477020000R	45500020000R	45423020000R	45512020000R	45755020000R	
50	Suction Inlet	Cast Iron		45375020000R			45290020000R		
51	Check Valve	BUNA-N		46617000000R			46618000000R		
		Viton		46617200000R			46618200000R		
53	Keeper (valve/Inlet)	304SS		45297000000R					
54	Shoulder Screw (valve/Inlet)	416SS		46795000000R					
67	Motor Adapter	Cast Iron	213-256JP FRM	45434020000R			45434020000R		
			284-326JP	NA			NA	45435020000R	
2	Plug, Pipe (drain)	Zinc Plated Steel	½ NPT	6K68					
4	Bolt, Impeller	SS w/thread lock	½-13x1.38	13K155					
5	Washer, Impeller	SS	1½ OD	51556000000R					
7	O-Ring (Diffuser)	BUNA-N		C02495A3345302R			C02495A3455302R		
		Viton		C02495A3345304R			C02495A3455304R		
8	Gasket (hsg. / case)	Nitrile Acrylic		47102000000R			47034000000R		
27	Plug, Pipe vent)	Zinc Plated Steel	¼ NPT	6K2					
37	Key (Impeller)	STEEL	¼" x ¼" x 1½"	4K261					
49	Gasket, Suction Inlet	Nitrile Acrylic		47039000000R			47038000000R		
63	Slinger	Rubber		5K163			5K163		
NS	HHC Screw (Inlet/case)	Zinc Plated Steel	⅝-18 x 1.0	13K137			NA		
		Zinc Plated Steel	⅝-16 x 1.25	NA			13K80		
NS	Washer, Lock (Inlet/case)	303SS	⅝	13K117			NA		
		303SS	⅜	NA			13K158		
NS	HHC Screw (case/hsg.)	Zinc Plated Steel	⅝-16 x 1.25	13K80			NA		
		Zinc Plated Steel	½-13 x 1.25	NA			13K102		
NS	Washer, Lock (case/hsg.)	303SS	⅝	13K158			NA		
		303SS	½	NA			13K128		
NS	HHC Screw (Adptr./mtr.)	Zinc Plated Steel	⅝-16 x 1.25	13K80			NA		
		Zinc Plated Steel	½-13 x 1.25	NA			13K102		
NS	Washer, Lock (Adptr./mtr.)	303SS	⅝	13K158			NA		
		303SS	½	NA			13K128		
NS	HHC Screw (Adptr./hsg.)	Zinc Plated Steel	½-13 x 2.0	13K245					
NS	Washer, Lock (Adptr./hsg.)	303SS	½	13K128					
NS	Hex Nut (Adptr./hsg.)	Zinc Plated Steel	½-13 UNC	13K373					
NS	Bushing, Hex (case fill)	Cast Iron	1" NPT-¼" NPT	6K178					

0000 \* - For Repairs use "R" Number Below

\*\* - ML - Bearing Frame Not Available

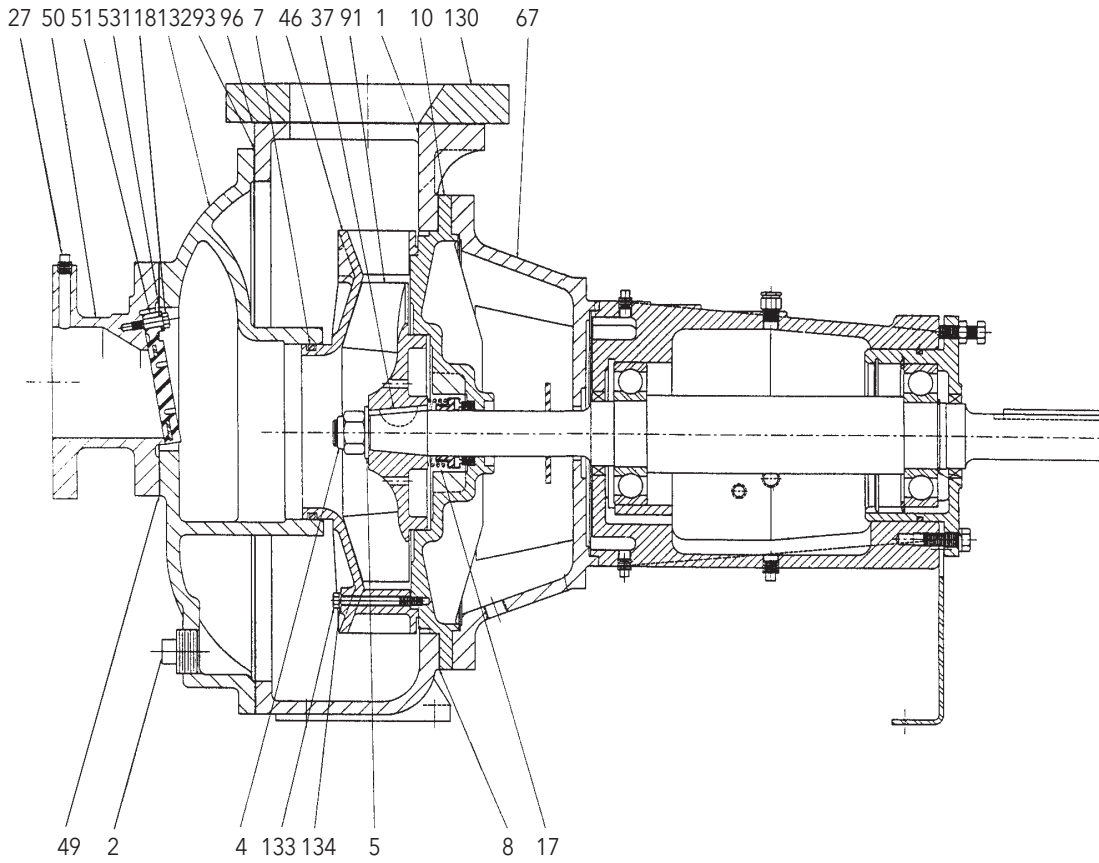
NS - Not Shown

### Prime Line 4" Pump End Parts - (Mechanical Seal) 210JP, 250JP, and ML Frame Mounted

Item No.	Description	Material		Repair Part No.	
				M4P1	M4P2
				4x4-10	4x4-9
1	Casing	Cast Iron		45597020000R	
6	Impeller	Cast Iron	1150 RPM	45462020000 *	45464020000 *
				45462021063R	45464020900R
				45462021038R	45464020875R
				45462021013R	45464020850R
		Cast Iron	1750 RPM	45462020988R	45464020825R
				45462020000 *	45464020000 *
				45462021063R	45464020900R
				45462021038R	45464020875R
45462021013R	45464020850R				
45462020988R	45464020825R				
10	Seal Housing	Cast Iron		45601020000R	
17	Mechanical Seal Assembly 1½" BORE	Car./Cer./Buna - STD.		A05669E000R	
		Car./Cer./Viton		A05670E000R	
		SilCar/SilCar /Viton		A05672E000R	
		SilCar/SilCar /EPR		A05671E000R	
24	Shaft Sleeve	316 SS	Close Coupled	4K713	
			MLFRAME	4K713	
46	Diffuser	Cast Iron		45598020000R	45599020000R
50	Suction Inlet	Cast Iron		45291020000R	
51	Check Valve	BUNA-N		46619000000R	
		Viton		46619200000R	
53	Keeper (valve / Inlet)	304SS		45298000000R	
54	Shoulder Screw (valve / Inlet)	416SS		46795000000R	
67	Motor Adapter	Cast Iron	213-256JP FRM	45434020000R	
			284-326JP	45435020000R	
2	Plug, Pipe (drain)	Zinc Plated Steel	½" NPT	6K68	
4	Bolt, Impeller	SS w/thread lock	½-13x1.38	13K155	
5	Washer, Impeller	SS	1½ OD	51556000000R	
7	O-Ring (Diffuser)	BUNA-N		C02495A2495302R	
		Viton		C02495A2495304R	
8	Gasket (hsg. / case)	Nitrile Acrylic		47040000000R	
27	Plug, Pipe (vent)	Zinc plated Steel	¼" NPT	6K2	
37	Key (Impeller)	STEEL	¼" x ¼" x 1½"	4K261	
49	Gasket, Suction Inlet	Nitrile Acrylic		47036000000R	
63	Slinger	Rubber		5K163	
NS	HHC Screw (Inlet / case)	Zinc Plated Steel	⅝-16 x 1.25	NA	
		Zinc Plated Steel	⅝-11 x 2.0	13K228	
NS	Washer, Lock (Inlet / case)	303SS	⅝	NA	
		Zinc Plated Steel	⅝	13K384	
NS	HHC Screw (case / hsg.)	Zinc Plated Steel	⅝-16 x 1.25	13K80	
		Zinc Plated Steel	½-13 x 1.25	NA	
NS	Washer, Lock (case / hsg.)	303SS	⅝	13K158	
		303SS	1/2	NA	
NS	HHC Screw (Adptr. / mtr.)	Zinc Plated Steel	½-13 x 1.25	13K102	
NS	Washer, Lock (Adptr. / mtr.)	303SS	⅝	NA	
		303SS	½	13K128	
NS	HHC Screw (Adptr. / hsg.)	Zinc Plated Steel	½-13 x 2.0	13K245	
NS	Washer, Lock (Adptr. / hsg.)	303SS	½	13K128	
NS	Hex Nut (Adptr. / hsg.)	Zinc Plated Steel	½-13 UNC	13K373	
NS	Bushing, Hex (case fill)	Cast Iron	1" NPT-¼" NPT	6K178	

0000 \* - For Repairs use "R" Number Below    \*\* - ML - Bearing Frame Not Available    NS - Not Shown

### Prime Line® M4E and M6E Pumps – Repair Part Image



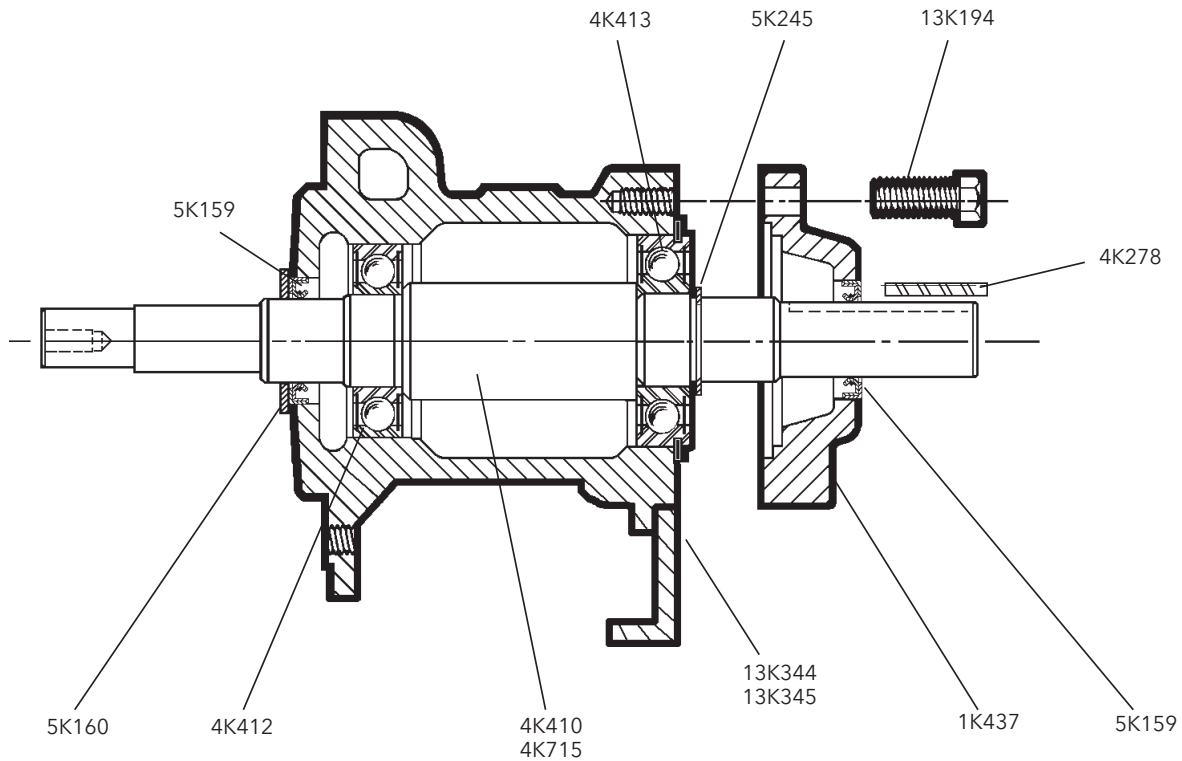
### Prime Line 6" Pump End Parts - (Mechanical Seal) E-Series Frame Mounted

Item No.	Description	Material		Repair Part No.						
				M4E1		M6E1		M6E2		
				4x4-12		6x6-11 (Open Imp.)		6x6-12		
1	Casing	Cast Iron		29394040000R						
6	Impeller	Impeller Material		Cast Iron	316 SS	Cast Iron	316 SS	Cast Iron		
		1150 RPM Trim Diameters				37890020000 *	37890080000 *	38901020000 *		
						37890021150R	37890081150R	38901021250R		
						37890021100R	37890081100R	38901021200R		
						37890021050R	37890081050R	38901021150R		
						37890021000R	37890081000R	38901021100R		
		1750 RPM Trim Diameters				37890020950R	37890080950R			
						46016020000 *	46016060000 *	37890020000 *	37890080000 *	38901020000 *
						46016021200R	46016061200R	37890021150R	37890081150R	38901021250R
						46016021150R	46016061150R	37890021100R	37890081100R	38901021200R
						46016021100R	46016061100R	37890021050R	37890081050R	38901021150R
		46016021050R	46016061050R	37890021000R	37890081000R	38901021100R				
46016021000R	46016061000R	37890020950R	37890080950R							
10	Seal Housing	Cast Iron		21391020000R		22939020000R		21391020000R		
		316SS		21391040000R		NA		NA		
17	Mechanical Seal Assembly 1 3/4" Bore	Car./Cer./Buna - STD.		25357200000R						
		Car./Cer./Viton		37646000000R						
		SilCar/SilCar /Viton		46558000000R						
		SilCar/SilCar /EPR		43741000000R						
46	Diffuser	Cast Iron		29365020000R	NA	36676020000R	NA	29516020000R		
		316SS		NA	29365040000R	NA	36676080000R	NA		
50	Suction Inlet	Cast Iron		45291020000R		45292020000R				
51	Check Valve	BUNA-N		46619000000R		46620000000R				
		Viton		46619200000R		46620200000R				
53	Keeper	304SS		45298000000R						
67	Frame Adapter	Cast Iron		45030020000R						
118	Shoulder Screw	416SS		46795000000R						
130	Adapter Flange, Discharge	Cast Iron		NA		29513020000R				
132	Cover, Case	Cast Iron		26484020000R		29515020000R				
2	Plug, Pipe - Drain	Zinc Plated Steel	1 1/4" npt	6K176						
4	Nut, Impeller (self locking)	Zinc Plated Steel	1"-14	22878000000R						
5	Washer, Belleville (Impeller)	17-7PH	2" OD	91058 201 2452R						
7	O-Ring, Diffuser	BUNA-N		C02495A4385302R						
		Viton		C02495A4385304R						
8	Gasket, Seal Hsg./Casing	Nitrile Acrylic		21318000000R						
27	Plug, Pipe - Vent	Zinc Plated Steel	1/4" npt	6K2						
49	Gasket, Suction Inlet	Nitrile Acrylic		47036000000R		20049000000R				
93	Gasket, Cover/Casing	Nitrile Acrylic		21201000000R						
96	Gasket, Adapter Flange	Nitrile Acrylic		NA		27620000000R				
133	HHC Screw (Diffuser)	303SS	5/16-18 x 2.50	13K387		NA				
			5/16-18 x 3.25	NA		13K388				
134	Washer, Lock (Diffuser)	303SS	5/16	13K117						
NS	HHC Screw (Inlet / case)	Zinc Plated Steel	5/8-11 x 2.0	13K228		13K383				
			5/8-11 x 1.75	13K382		NA				
NS	Washer, Lock (Inlet / case)	Zinc Plated Steel	5/8	13K384		13K386				
NS	HHC Screw (Case)	Zinc Plated Steel	1/2-13 x 2.25	13L40						
NS	Washer, Lock (Case)	303SS	1/2	13K128						
NS	HHC Screw (Cover)	Zinc Plated Steel	5/8-11 x 1.5	13K247						
NS	Washer, Lock (Cover)	Zinc Plated Steel	5/8	13K384						
NS	Soc.Hd C Screw (Adptr. Flg.)	Zinc Plated Steel	5/8-11 x 1.5	NA		13K385				
NS	HHC Screw (Motor Adptr.)	Zinc Plated Steel	5/8-11 x 1.75	13K382						
NS	Washer, Lock (Motor Adptr.)	Zinc Plated Steel	5/8	13K384						
NS	Bushing, Hex (Case Fill)	Cast Iron -paint	1 1/4"-1/4" npt	6K177						

0000 \* - For Repairs use "R" Number Below  
NS - Not Shown



### S-Group Power Frame for Prime Line (mechanical seal only)



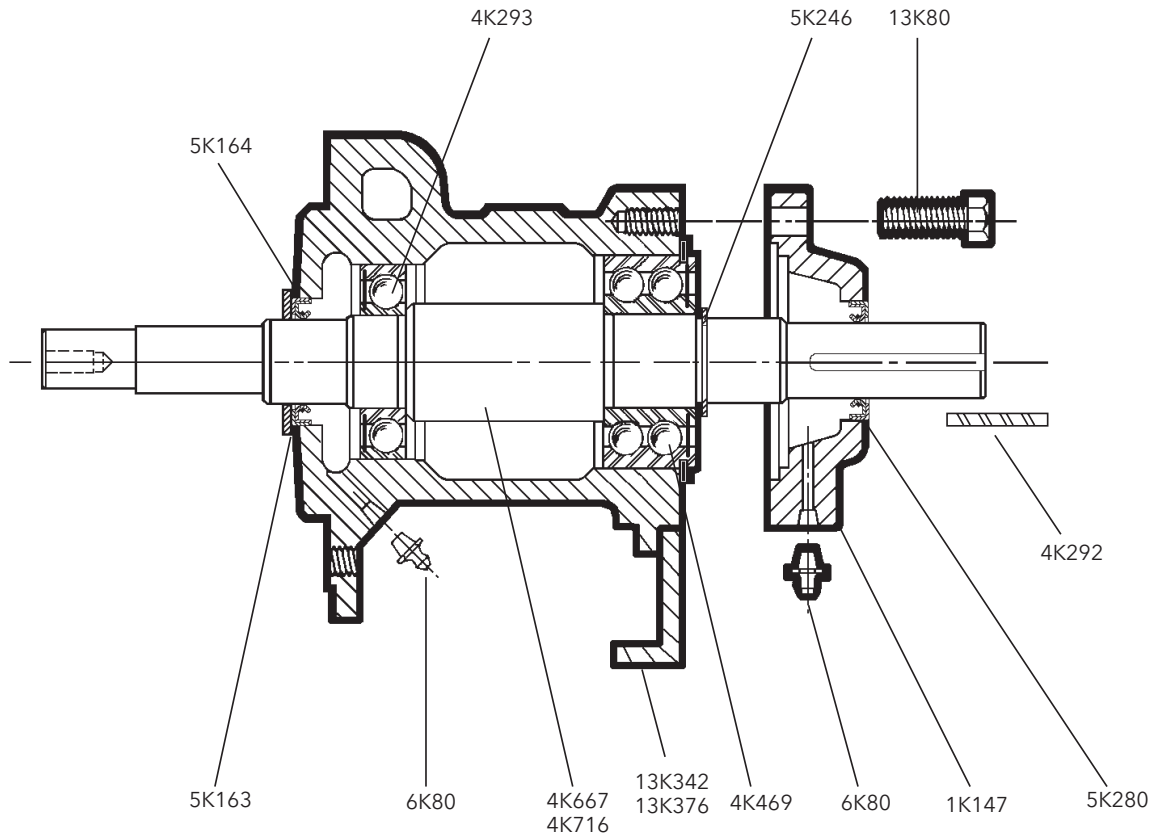
**Lubrication: Greased For Life**

Description	Complete Frame Repair #		15K65	15K66
	Material		Repair Part No.	
Shaft, JM - Frame Assembly	CS		4K410	NA
	SS		NA	4K715
Brg. Cover S Grp (59519)	CI		1K437	
Bearing Frame (59506)	CI		<b>Order Complete Assembly</b>	
Bearing S Frame Thrust GFL	Steel	SKF 6307	4K413	
Deflector S Frame	Rubber		5K160	
Bearing S Frame Radial GFL	Steel	SKF 6207	4K412	
Lip Seal	BUNA/STL		5K159	
Hex Head Screw (4 pack)	CS	3/8-16x1.0	13K194	
Retaining Ring	STL		5K245	
KEY (cplg)	SS	1/4 x 1/4x1.38	4K278	
Foot, Mtg.	Steel	2PL1-4	13K344	
		3PL1 & 2	13K345	

S-Frame Used on M2P1, M2P2, M2P3, M2P4, M3P1, and M3P2.

GFL - Grease for Life

### ML Power Frame for PrimeLine (Mechanical Seal Only)



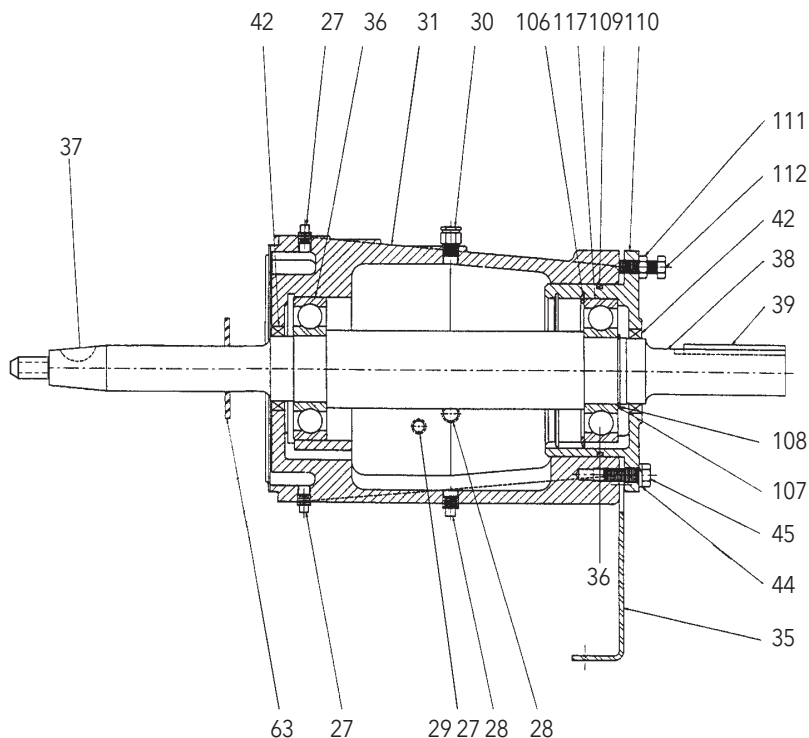
**Lubrication: Regreasable**

Description	Complete Frame Repair #		15K67	15K68
	Material		Repair Part No.	
Shaft, JP - Frame Assembly	CS		4K667	
	SS			4K716
Bearing Cover M Frame (59506)	CI		1K147	
Bearing Frame (59505)	CI		<b>Order Complete Assembly</b>	
Bearing, Thrust L Frame	STL	SKF 5310	4K469	
Deflector M Frame	Rubber		5K163	
Bearing, Rad. M Frame	STL	SKF 6309	4K293	
Dr. Fitting (Grease)	STL		6K80	
Lip Seal - Inboard	BUNA/Steel		5K164	
Lip Seal - Outboard	BUNA/Steel		5K280	
Hex Head Screw	CS	$\frac{3}{8}$ -16X1.25	13K80	
Retaining Ring	STL		5K246	
KEY (Coupling)	CS	$\frac{3}{8}$ x $\frac{3}{8}$ x 3.0	4K292	
Lockwasher	SS	$\frac{3}{8}$	13K158	
Foot, Mtg.	Steel	3PL3 & 4	13K342	
		4PL1 & 2	13K376	

NS - Not Shown

ML-Frame Used on M3P3, M3P4, M4P1, and M4P2.

### Prime Line® M4E1, M6E1 and M6E2 Pumps



Complete Frame Repair #			15K69	15K70	15K71	15K72
Item No.	Description	Material	Repair Part No.			
38	Shaft	Steel	47110000000R		47109000000R	
		316SS		47110200000R		47109100000R
110	Housing, Thrust Bearing	CI	45341020000R			
31	Housing, Bearing (45366010000)	CI	<b>Order Complete Assembly</b>			
27	Pipe Plug	Steel	¼" NPT	6K2		
28	Pipe Plug	Steel	⅜" NPT	6K3		
30	Filter Vent,	Steel		40234000000R		
35	Foot, Mtg.	Steel		46000000000R		
36	Bearing Ball (Inbd. & Outbd.)	Steel	SKF 6313	8050 313600000R		
37	Key, Woodruff (Impeller)	Carbon Steel	⅜" x 1 ¼"	NA		49501 29 2213R
		316SS				49501 29 2229R
		Carbon Steel	⅜" x 1 ½"	49501 26 2213R		NA
		316SS		49501 26 2229R		
39	Key, Sq. (Coupling)	CS	⅜" x ⅜" x 4"	49589 207 2213R		
42	Oil Seal	Nitrile	410752	8690-10752R		
44	Lockwasher	SS	½"	13K128		
45	HHC Screw	CS	½-13 x 1 ½"	13K44		
63	Slinger	Rubber	1 ¼ ID	21608000000R		
106	Retaining Ring (Waldes)	CS	N5002-550	58101 550 2210R		
107	Retaining Ring (Waldes)	CS	N5100-255	54496 255 2210R		
109	O-Ring, Brg. Housing	BUNA		C02495A3625302R		
111	Nut, Jam Hex ½" UNC	CS	½" UNC	49507 157 5429R		
112	HHC Screw	CS	½-13 x 2 ¼"	13L40		
NS	Lockwasher	Steel	⅜"	13K384		
NS	Window, Sight	Steel/Glass		A01154A03R		
NS	Shim Brg Hsg (as required)	Steel		45399000000R		
NS	Shim Brg Hsg (as required)	Steel		45400000000R		
NS	HHC Screw (Foot)	CS	⅜-11 x 1 ¼"	13K240		

NS - Not Shown

# Xylem |'zīləm|

- 1) The tissue in plants that brings water upward from the roots;
- 2) a leading global water technology company.

We're 12,500 people unified in a common purpose: creating innovative solutions to meet our world's water needs. Developing new technologies that will improve the way water is used, conserved, and re-used in the future is central to our work. We move, treat, analyze, and return water to the environment, and we help people use water efficiently, in their homes, buildings, factories and farms. In more than 150 countries, we have strong, long-standing relationships with customers who know us for our powerful combination of leading product brands and applications expertise, backed by a legacy of innovation.

**For more information on how Xylem can help you, go to [www.xylem.com](http://www.xylem.com)**



Xylem, Inc.  
2881 East Bayard Street Ext., Suite A  
Seneca Falls, NY 13148  
Phone: (800) 453-6777  
Fax: (888) 322-5877  
[www.xylem.com/brands/gouldswatertechnology](http://www.xylem.com/brands/gouldswatertechnology)

Goulds is a registered trademark of Goulds Pumps, Inc. and is used under license.  
© 2012 Xylem Inc. RPRIMELINE October 2007