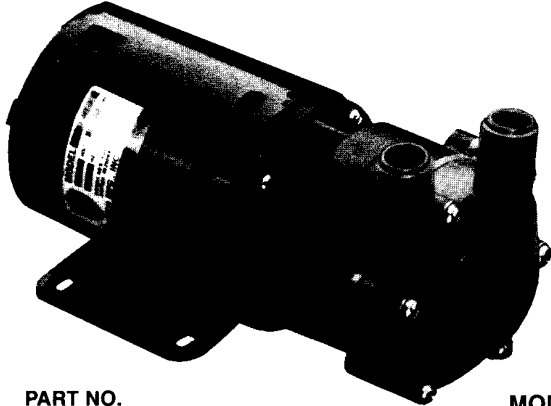


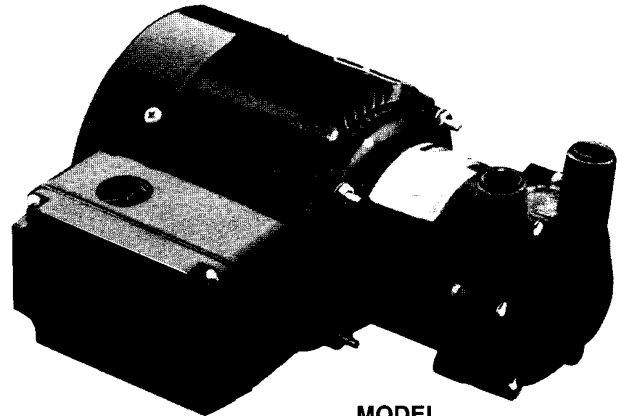
# MARCH

## INSTRUCTIONS AND REPAIR PARTS FOR MDX-MT3, TE-MDX-MT3 AND TE-MDK-MT3 "METL-LESS" PUMPS



PART NO.  
135-036-01, 115 VOLT  
135-037-01, 230 VOLT

MODEL  
MDX-MT3  
WITH OPEN, FAN-COOLED  
MOTOR, 115 VOLT OR 230 VOLTS



MODEL  
TE-MDX-MT3  
WITH TOTALLY ENCLOSED MOTOR  
AND CONDUIT BOX  
MULTI-VOLTAGE

PART NO.  
135-088-01

### PUMP CONSTRUCTION AND SERVICING

March "ORBITAL" Magnetic Drive Pumps eliminate the conventional shaft seals found in most pumps. This means that there is no rotating seal to wear and allow the liquid being pumped to leak out. There are only two areas in this type construction that rotate and could wear out. One area is the motor shaft and bearings. The second area is the impeller-magnet assembly rotating on a stationary spindle, and hence these are the only two areas where wearing can occur.

All parts can be easily serviced and replaced in the field if necessary with the use of a screwdriver. See the Repair Parts List for necessary replacement items.

All ratings are based on pumping water. Depending on the pumping conditions, some liquids heavier than water may cause the magnetic coupling to slip. Contact the factory if this occurs for special instructions. The inlet and outlet ports are 1/2" M.P.T. threads.

#### PUMP MATERIALS

The 3 plastic parts in contact with the liquid are molded out of Ryton, or Kynar Plastic. The motor bracket is molded out of glass filled Polypropylene on the TE-MDX-MT3, and black glass filled Noryl on the MDX-MT3. The "O" ring gasket is Viton "A" rubber. The stationary spindle and thrust washer are chemical resistant ceramic. Contact the factory for other materials available on special order.

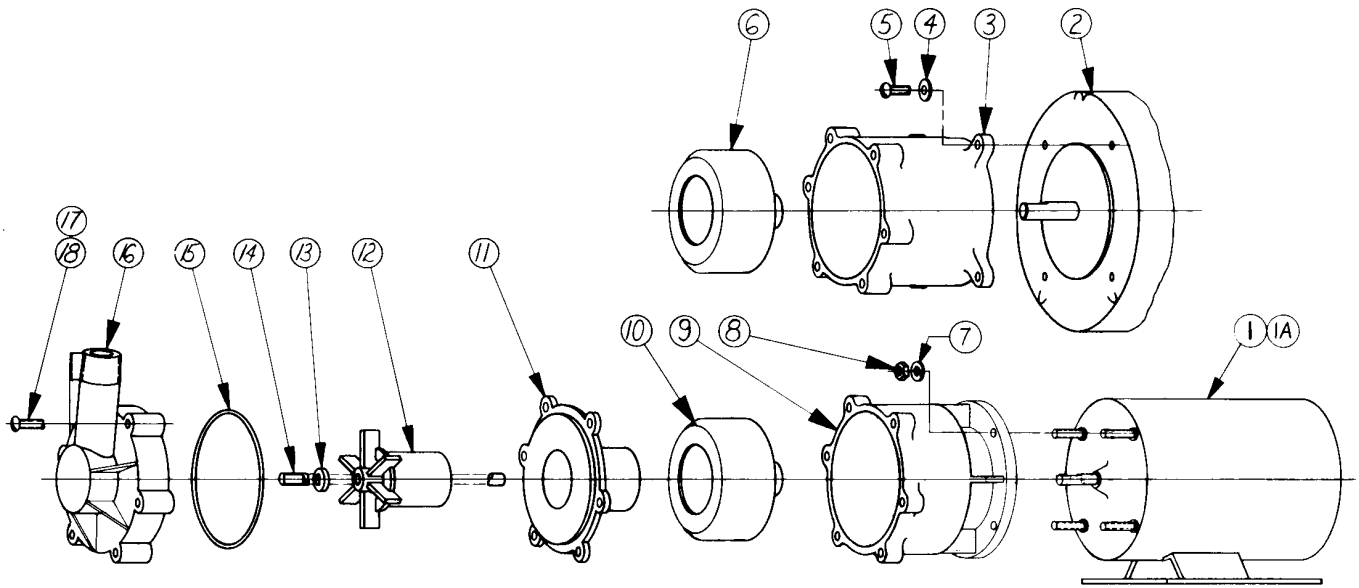
#### ELECTRICAL CONNECTIONS AND RUNNING DRY

The MDX-MT3 motor is 115 volt, 50/60 cycle, 1 phase A.C.—230 volt motors are available.

The TE-MDX-MT3 motor is totally enclosed, 115/230 volt, 50/60 cycle, 1 phase A.C. See wiring instructions packed with each pump. Both motors are U.L. recognized. The pumps should not be run dry for more than 30 seconds as the plastic impeller will squeal and may bind on the stationary spindle.

### "METL-LESS" PUMP SPECIFICATIONS

MODEL NO.	RPM @ 115v	MOTOR			DIMENSIONS			MAX PSI	MAX HEAD	GALLONS PER MIN.					WEIGHT PACKED
		H.P.	WATTS	AMPS	HT.	WD.	LG.			1 FT.	3 FT.	6 FT.	9 FT.	15 FT.	
TE-MDX/MDK-MT3	3450	1/15	130	.86/.43	5 1/4"	4 3/8"	9 1/2"	7.6 Lbs.	17.5 Ft.	10.0	9.5	8.7	7.7	4.2	10 Lbs.
MDX-MT3*	3000	1/25	110	1.35	4 7/8"	3 5/8"	8 5/8"	7.0 Lbs.	16 Ft.	8.0	7.2	6.4	5.5	2.0	6 1/2 Lbs.



### REPAIR PARTS LIST

ITEM	DESCRIPTION	FOR PUMP	PART NUMBER	QUANT. REQ'D.
1	Motor, 115 Volt, 50/60 Hz	MDX-MT-3	135-114-10	1
1A	Motor, 230 Volt, 50/60 Hz	MDX-MT-3	135-136-10	1
2	Motor, 115/230 Volt, 50/60 Hz Totally Enclosed	TE-MDX-MT-3	135-080-10	1
3	Motor Bracket	TE-MDX-MT-3	135-089-10	1
4	#8 I.D. Washer	MDX-MT-3	135-016-10	4
5	Motor Bracket Screws #8-32	TE-MDX-MT-3	150-015-10	4
6	Drive Magnet Assem.	TE-MDX-MT-3	130-043-03	1
7	#8 I.D. Lockwasher	MDX-MT-3	620-010-10	4
8	Motor Bracket Nuts #8-32	MDX-MT-3	410-039-10	4
9	Motor Bracket	MDX-MT-3	135-135-10	1
10	Drive Magnet Assem.	MDX-MT-3	130-043-01	1
11A	Impeller Magnet Housing (Ryton)	BOTH	135-087-10	1
11B	Impeller Magnet Housing (Kynar)	BOTH	135-153-10	1
12A	Impeller Magnet Assem. (Ryton)	BOTH	135-113-02	1
12B	Impeller Magnet Assem. (Kynar)	BOTH	135-154-02	1
13	Ceramic Thrust Washer	BOTH	130-028-10	1
14	Ceramic Spindle	BOTH	130-024-10	1
15	Housing "O" Ring — Viton	BOTH	135-046-10	1
16A	Pump Housing (Ryton)	BOTH	135-088-10	1
16B	Pump Housing (Kynar)	BOTH	135-152-10	1
17	Pump Housing Screws #10-32	MDX-MT-3	802-010-10	6
18	Pump Housing Screws #10-32	TE-MDX-MT-3	823-008-10	6

### WARRANTY

March pumps are guaranteed only against defects in workmanship or material for a period of one year from date of manufacture, pumping water. For all other solutions contact factory for prior written approval of warranty, before pump is installed. See March Pump Application Questionnaire 750-130-10 for additional warranty information.



**MARCH MFG., INC.**

1819 Pickwick Ave. • Glenview, IL 60025-5793  
 Phone (847) 729-5300  
 FAX (847) 729-7062