

# SERIES 8

## Seal-less Magnetic Drive Pumps

The March Series 8 is used in a wide variety of chemical and industrial applications including handling chemicals of all kinds with capacities to 125 GPM, 95 ft. head. Pumps of Kynar plastic construction are designed to handle difficult solutions such as strong halogen solutions and certain strong chromic or sulfuric acid solutions.



TE-8C-MD

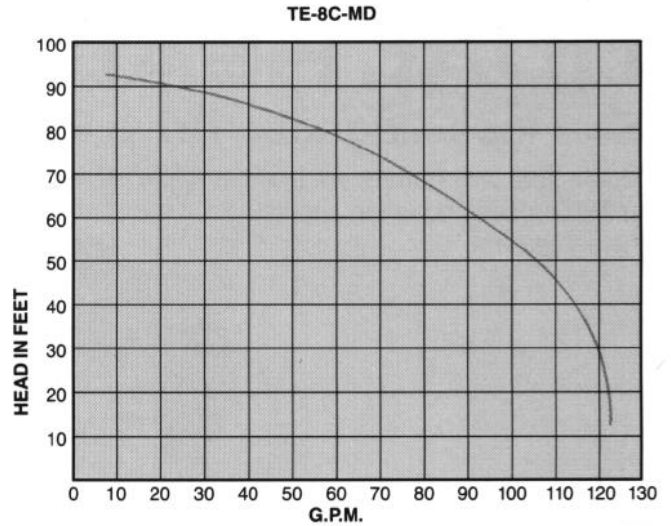
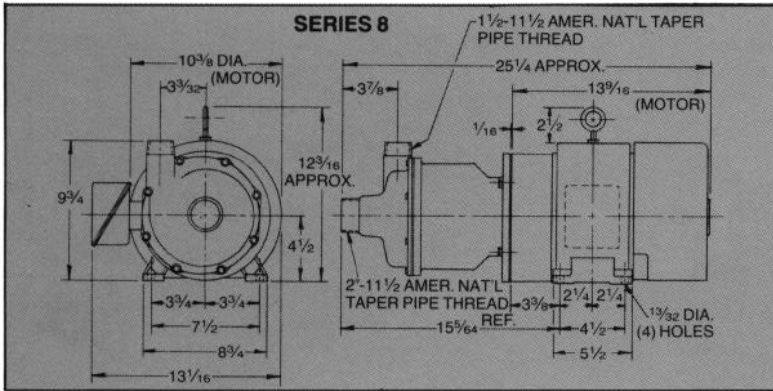
# SERIES 10

## Seal-less Magnetic Drive Pumps

The March Series 10 is used in a wide variety of chemical and industrial applications including handling chemicals of all kinds with capacities to 210 GPM, 170 ft. head. Pumps of Kynar plastic construction are designed to handle difficult solutions such as strong halogen solutions and certain strong chromic or sulfuric acid solutions.



TE-10K-MD



**ELECTRIC MOTORS**

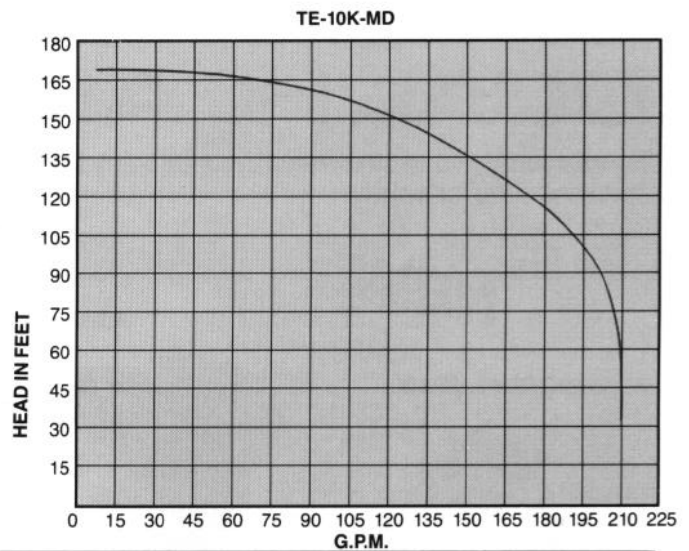
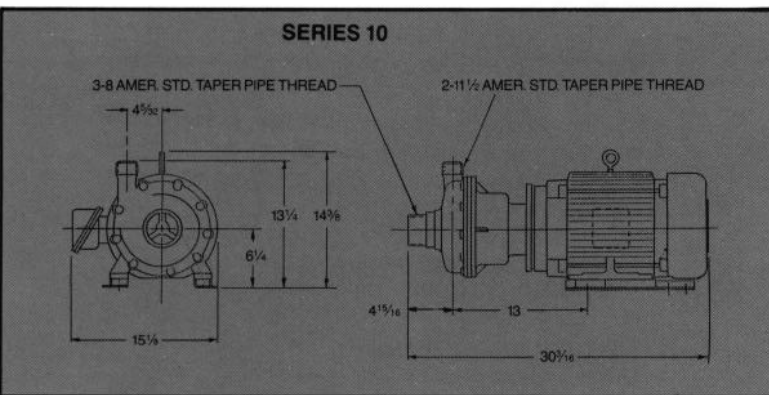
Model	Max. Flow GPM	Max. Head Ft.	Inlet	Outlet	HP	RPM	Volts	PH	Hz	Watts	Amp	Motor Type	Electrical Connection	Materials* in Contact with Solution	Max. Int. Press. PSI	Max. Liquid Temp. °F	Wt. Packed Lbs.
<b>SERIES 8</b>														Polypropylene front housing and Kynar® PVDF rear, Viton®, Teflon®/Ryton bushing, Ceramic	50	190	160
TE-8C-MD	125	95															
TE-8K-MD	125	95	2" MPT	1 1/2" MPT	3	3450	230/460	3	60	2625	7.8/3.9	TEFC	Conduit Box	Carbon filled Kynar, Ceramic, Viton®, Carbon bushing	75	200	160
TE-8S-MD	125	95	2" MPT	1 1/2" MPT	5	3450	230/460	3	60	5200	13.8/6.9	TEFC	Conduit Box	316 Stainless Steel, Viton®, Ceramic, Carbon Bushing	200	250	180

\* Other materials available on special order

Explosion proof motors available on all models.  
Carbon bushings available for dry running.  
Other bushing materials available for various chemical solutions.

**MADE IN USA**

Photographs, dimensional drawings and flow curves may vary depending on the current motors being used. Contact your local distributor for accurate current data for layout purposes.



**ELECTRIC MOTORS**

Model	Max. Flow GPM	Max. Head Ft.	Inlet	Outlet	HP	RPM	Volts	PH	Hz	Watts	Amp	Motor Type	Electrical Connection	Materials in Contact with Solution	Max. Int. Press. PSI	Max. Liquid Temp. °F	Wt. Packed Lbs.
<b>SERIES 10</b>														Carbon filled Kynar, Ceramic, Viton®, Carbon bushing	75	200	220
TE-10K-MD	210	170	3" MPT	2" MPT	10	3450	230/460	3	60	8800	27/13.5	TEFC	Conduit Box				

Explosion proof motors available on all models.  
Carbon bushings available for dry running.  
Other bushing materials available for various chemical solutions  
Flanges are available on special order.