

**MAGNIFICENTLY  
MODERN**

# MARCH

**MODEL TE-7R-MD  
TE-7K-MD**

**CORROSIVE SOLUTION "METL-LESS" PUMPS**

## **INSTRUCTIONS & REPAIR PARTS**

### **PUMP MATERIALS AND SOLUTIONS**

The TE-7R-MD pump was designed to handle a wide range of acids, bases, caustics, solvents and other corrosive liquids. There are only four materials in the 7B pump that will be in contact with the solution being pumped. They are polypropylene and Ryton® plastic, ceramic and the Viton® "O" Ring. The 7K materials are Kynar®, Ceramic and Viton®. Pump ratings are based on pumping room temperature water. If your solution will attack any one of these four materials, or if you are not certain as to what effect your solution has on them, then contact the factory before using this pump. For parts other than standard, such as type 316 stainless steel, Hastelloy "C", contact the factory.

### **PUMP DISASSEMBLY**

To disassemble the pump simply remove the six Housing Screws (item 1). The entire assembly up to the Motor and Drive Magnet Assembly will now slide apart. The Impeller-Magnet Assembly (item 7) will slide off the Spindle (item 6). The Spindle (item 6) is a light press fit into the Pump Housing and can be pulled out by hand. Clean all parts as necessary and replace any worn or damaged parts before re-assembling.

### **ELECTRICAL CONNECTIONS AND DRY RUNNING**

The only moving parts inside the pump volute is the Impeller-Magnet Assembly (item 7) and the Impeller Bushing (item 7) which rotates on the Porcelain Spindle (item 6). If the pump is run with no liquid inside the pump volute, there is danger of damaging the Impeller Bushing. Short runs of 10 seconds or less will not damage the pump. This will allow you time to check your electrical hookup. The electrical wiring diagram is located inside the cover of the motor conduit box. The Impeller must rotate in a clockwise direction when viewed through the inlet of the pump. The totally enclosed motor is  $\frac{3}{4}$  H.P.; 115/230 volts; 60 cycle; single phase; rated for continuous duty; capacitor start; No. 56 "C" Nema Frame with rigid base. Standard Nema motor mounting on 11/32 wide slots on 3 inch centerlines. Pump inlet is  $1\frac{1}{2}$ " F.P.T. and outlet is 1" M.P.T. Motors available in 220/440 three phase current, 50/60 cycle.

TE-7R-MD is a revised version of the TE-7C-MD pump. The TE-7R-MD has a segmented Drive Magnet P/N155-130-01 for greater pulling torque, and a thicker walled Impeller Magnet Housing P/N155-067-10 for greater strength. All other parts are interchangeable.

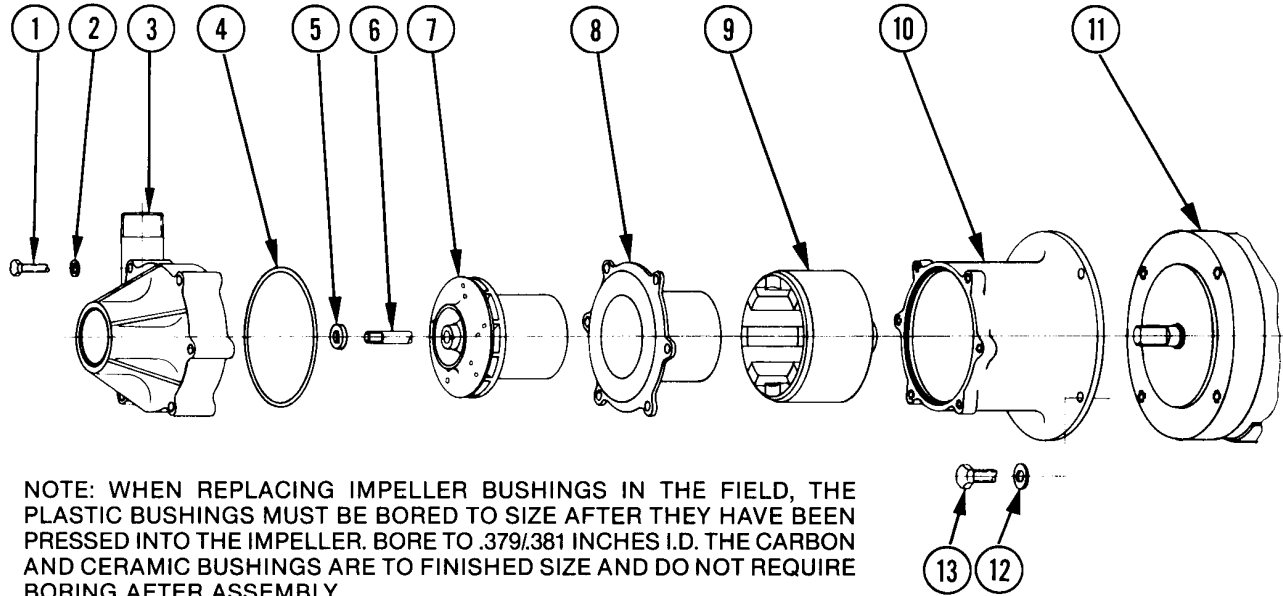
### **LIMITED WARRANTY**

March pumps are guaranteed only against defects in workmanship or material for a period of one year from date of manufacture when used with water. See March Pump Application Questionnaire 750-130-10 for additional warranty information.

### **"METL-LESS" PUMP SPECIFICATIONS**

MODEL NO.	MOTOR SPECIFICATIONS						MAX. G.P.M.	MAX. HEAD	CONNECTORS		DIMENSIONS			WEIGHT PACKED
	VOLTS	PHASE	RPM	H.P.	WATTS	AMPS			INLET	OUTLET	HT.	WD.	LG.	
TE-7R/K-MD	115/230	One	3450	3/4	830	8.8/4.4	53	57 Ft.	1-1/2" FPT	1" MPT	8-3/4"	8-1/2"	18"	38 $\frac{1}{2}$ Lbs.
	220/440	Three	3450	3/4	768	2.2/1.1	53	57 Ft.	1-1/2" FPT	1" MPT	8-3/4"	8-1/2"	18"	33 Lbs.

# MODEL TE-7R-MD AND TE-7K-MD PARTS LIST



NOTE: WHEN REPLACING IMPELLER BUSHINGS IN THE FIELD, THE PLASTIC BUSHINGS MUST BE BORED TO SIZE AFTER THEY HAVE BEEN PRESSED INTO THE IMPELLER. BORE TO .379/.381 INCHES I.D. THE CARBON AND CERAMIC BUSHINGS ARE TO FINISHED SIZE AND DO NOT REQUIRE BORING AFTER ASSEMBLY.

### — REPAIR PARTS —

ITEM	DESCRIPTION	PART NUMBER	QUANT. REQ'D
Item 1	Housing Screw, 303 Stainless Steel	155-014-10	6
Item 2	Washer, Housing Screw, 303 Stainless Steel	155-021-10	6
Item 3A	Pump Housing, Glass Filled Polypropylene	155-011-10	1
Item 3B	Pump Housing (Kynar®)	155-125-10	1
Item 4	"O" Ring, Housing, Viton® "A" Rubber	155-010-10	1
Item 5	Thrust Washer, 99% Silica Free Ceramic	155-009-10	1
Item 6	Spindle, 99% Silica Free Ceramic	155-039-10	1
Item 7	* Impeller & Magnet Assembly w/Bushing	—	1
Item 7A	Standard Imp. & Mag. Ass'y. w/Teflon® & Ryton® Bushing (Polypropylene)	155-159-05	
Item 7B	Alternate Imp. & Mag. Ass'y. w/Mica-Teflon Bushing (Polypropylene)	155-159-04	
Item 7C	Alternate Imp. & Mag. Ass'y. w/Carbon Bushing (Polypropylene)	155-159-02	
Item 7D	Impeller & Magnet Assembly w/Carbon Bushing (Kynar®)	155-160-02	1
Item 8A	Impeller Magnet Housing w/Rear Thrust Washer, Glass Filled Ryton & Ceramic	155-067-01	1
Item 8B	Impeller & Magnet Housing w/Rear Thrust Washer (Kynar®)	155-124-01	1
Item 8C	Rear Thrust Washer Only, Ceramic	155-064-10	A/R
Item 9	Drive Magnet Ass'y., Segmented	155-130-01	1
Item 10	Motor-Pump Connecting Bracket, Ryton®	155-092-01	1
Item 11	TEFC Motor 115/230 Volt, 1 Phase, 60 Cy.	155-016-10	1
	TEFC Motor 230/460 Volt, 3 Phase, 50/60 Cy.	155-022-10	1
Item 12	Stainless Washer	155-019-10	4
Item 13	Motor Screws, 303 Stainless Steel	155-017-10	4

\* WHEN ORDERING SPARE IMPELLER ASSEMBLIES, CHECK THE OUTSIDE DIAMETER OVER THE VANES FOR SIZE. FULL SIZE IMPELLER IS 3.750 INCHES. IF YOUR IMPELLER DIAMETER IS LESS, THEN SPECIFY YOUR DIAMETER WHEN ORDERING.



## MARCH MFG., INC.

1819 PICKWICK AVE. • GLENVIEW, ILLINOIS 60025-5793, U.S.A.  
PHONE: (847) 729-5300 • FAX: (847) 729-7062 • www.marchpump.com