

SERIES 7

Seal-less Magnetic Drive Pumps

The March Series 7 is used in a wide variety of chemical and industrial applications including handling chemicals of all kinds with capacities to 53 GPM, 60 ft. head. Pumps of Kynar plastic construction are designed to handle difficult solutions such as strong halogen solutions and certain strong chromic or sulfuric acid solutions.

New model SP-TE-TP-MD is designed for applications where gravity feed is not available. Suction capability of 10 feet, 57 feet head with all the advantages of a seal-less magnetic coupled centrifugal pump.

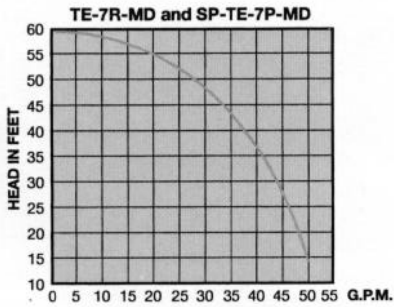


SERIES 7.5

Seal-less Magnetic Drive Pumps

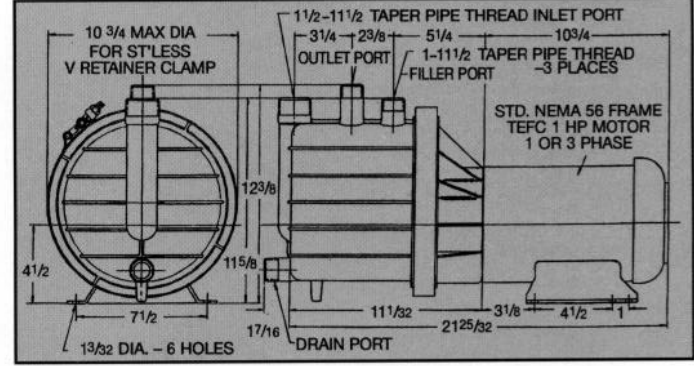
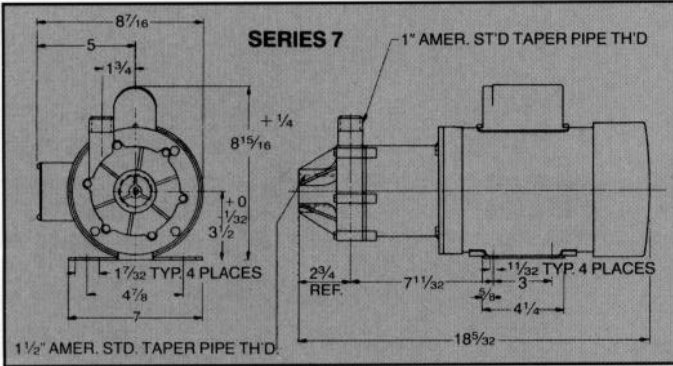
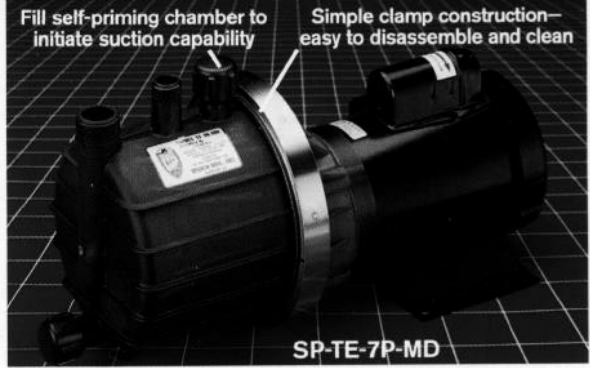
The March Series 7.5 is used in a wide variety of chemical and industrial applications including handling chemicals of all kinds with capacities to 82 GPM, 85 ft. head. The Series 7.5 has all molded parts of natural unfilled polyvinylidene fluoride resin, making it ideal for super sensitive applications such as microchips where even the slightest trace of foreign matter can cause a problem.





NEW SELF-PRIMING CENTRIFUGAL PUMPS...

No openings in side of tank or other fluid container necessary



ELECTRIC MOTORS

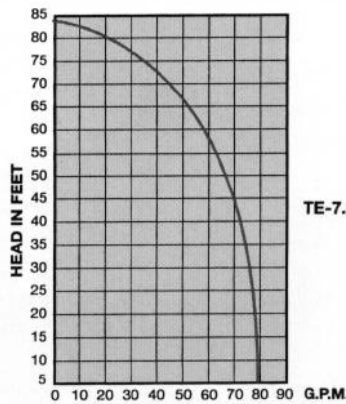
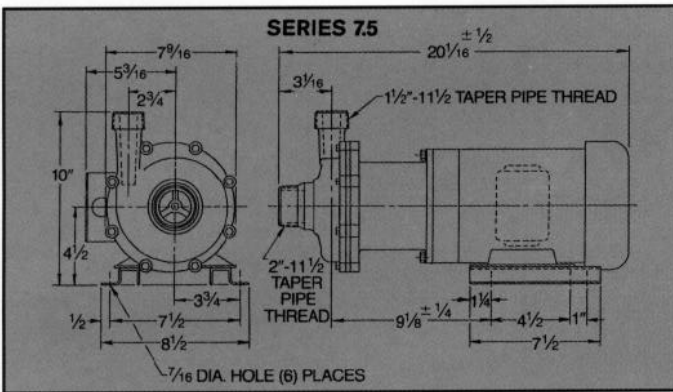
Model	Max. Flow GPM	Max. Head Ft.	Inlet	Outlet	HP	RPM	Volts	PH	Hz	Watts	Amp	Motor Type	Electrical Connection	Materials* in Contact with Solution	Max. Int. Press. PSI	Max. Liquid Temp. °F	Wt. Packed Lbs.
SERIES 7 TE-7R-MD	53	60			3/4	3450	115/230	1	50/60	830	10.0/5.0			Glass filled polypropylene and Ryton, [®] Ceramic, Viton, [®] Teflon/Ryton bushing	50	190	38 1/2
							230/460	3	50/60	768	2.2/1.1						33
TE-7K-MD	53	60	1 1/2" FPT	1" MPT	3/4	3450	115/230	1	50/60	830	10.0/5.0	TEFC	Conduit Box	Carbon filled Kynar, [®] Ceramic, Viton, [®] Carbon bushing	75	200	38 1/2
							230/460	3	50/60	768	2.2/1.1						33
TE-7S-MD	53	60			3/4 #	3450	115/230	1	50/60	830	10.0/5.0			316 Stainless Steel Ceramic, Viton, [®] Carbon bushing	200	250	49 1/2
							230/460	3	50/60	768	2.2/1.1						44
TE-7H-MD	53	60			3.4 #	3450	115/230	1	50/60	830	10.0/5.0			Hastelloy "C", [®] Ceramic, Viton, [®] Carbon bushing	200	250	62
							230/460	3	50/60	768	2.2/1.1						56

SELF-PRIMING CENTRIFUGAL PUMPS — Max. Suction Lift 10 Ft

SP-TE-7P-MD	53	57	1 1/2" MPT	1" MPT	1 #	3450	115/208/230	1	60	-	11.8/6.4/5.9	TEFC	Conduit Box	Glass filled polypropylene Ceramic, Viton, [®] Carbon Bushing, (Carbon filled Kynar available)	50	190	75
							208/230/460	3	60	-	3.2/2.9/1.45						70

* Other materials available on special order.
1 1/2 HP motors available.

Explosion proof motors available on all models. Carbon bushings available for dry running. Other bushing materials available for various chemical solutions.



MADE IN USA

Photographs, dimensional drawings and flow curves may vary depending on the current motors being used. Contact your local distributor for accurate current data for layout purposes.

ELECTRIC MOTORS

Model	Max. Flow GPM	Max. Head Ft.	Inlet	Outlet	HP	RPM	Volts	PH	Hz	Watts	Amp	Motor Type	Electrical Connection	Materials In Contact with Solution	Max. Int. Press. PSI	Max. Liquid Temp. °F	Wt. Packed Lbs.
SERIES 7.5 TE-7.5K MD	82	85	2" MPT	1 1/2" MPT	2	3450	230/460	3	50/60	1880	5.2/2.6	TEFC	Conduit Box	Natural PVDF, Ceramic, Viton, [®] Carbon bushing	60	190	53

Explosion proof motors available on all models. Carbon bushings available for dry running. Other bushing materials available for various chemical solutions. Flanges are available on special order.