



MARCH PUMPS

1819 PICKWICK AVE., GLENVIEW, IL 60026-1306, U.S.A
 PHONE: (847) 729-5300 - FAX: (847) 729-7062
 WWW.MARCHPUMP.COM

INSTRUCTIONS & REPAIR PARTS FOR MODEL TE-5C-MD, TE-5K-MD AND TE-5S-MD PUMPS

MODEL TE-5K-MD
 ASS'Y. NO. 0150-0026-0700

MODEL TE-5S-MD
 ASS'Y. NO. 0150-0120-0100

MODEL TE-5C-MD
 ASS'Y. NO. 0150-0026-0300



RATINGS AND SPECIFICATIONS

MODEL NO.	CONNECTORS		ELECTRICAL			G.P.H. AT LISTED HEAD						PSI GAGE	DIMENSIONS			PACK. WT.
	INLET	OUTLET	HP	WATTS	AMPS	1 FT.	3 FT.	6 FT.	12 FT.	18 FT.	21 FT.		HT.	WD.	LG.	
TE-5C-MD	1" FPT	1/2" MPT	1/5	200	1.8/9	1010	985	925	782	620	415	12.2	6 3/16"	6 1/2"	12 3/4"	12 1/2 lbs.
TE-5S-MD		3/4" O.D.				18 lbs.										
TE-5K-MD		15 1/2 lbs.														

PUMP CONSTRUCTION & SERVICING

March "Orbital" Magnetic Drive Pumps eliminate the conventional shaft seals found in most pumps. This means that there is no rotating shaft or seal to wear and allow the liquid being pumped to leak out. The only seal in the pump is a stationary Viton "O" ring seal between the Cover and the Pump Housing.

The pump can be serviced with the use of a screwdriver. The only moving part in the pump other than the motor is the Impeller-Magnet Assembly which rotates on a stationary ceramic spindle and up against a ceramic thrust washer. These are the only parts that might wear, and may require replacement. See the Repair Parts list for replacement parts.

ELECTRICAL AND OPERATION

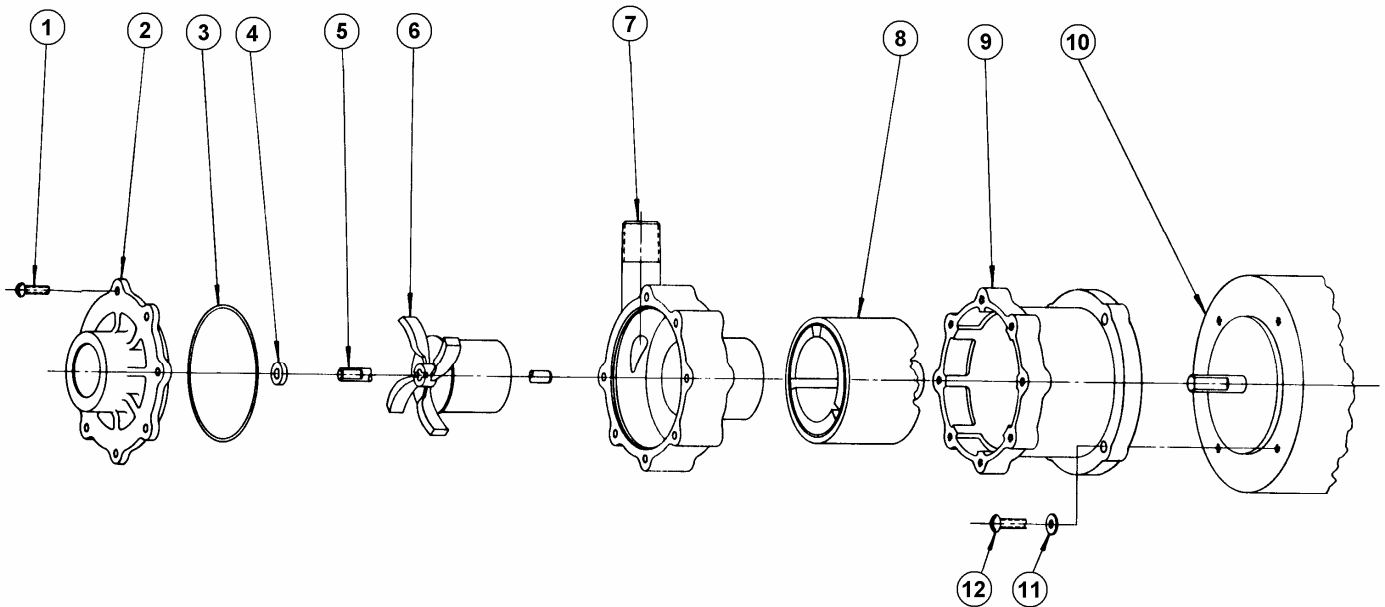
The standard pump has a 115/230 Volt, 50/60 Cycle, 1 Phase, A.C. Motor. The motor is totally enclosed with an external fan.

A junction box is located on the side of the motor with instructions for the proper electrical hook-up. The motor is thermally overload protected and designed for continuous running.

The pump should not run dry for long periods of time, as we rely on the liquid being pumped to lubricate the impeller-magnet assembly spinning on the stationary spindle. Teflon Filled and Carbon bushings are available upon special order. Contact the factory for special applications.

PUMP MATERIALS

All screws are type 18-8 stainless steel. The pump components in contact with the liquid are polypropylene, Kynar or type 316 L stainless steel. The "O" ring gasket is Viton A rubber. The spindle shaft and Thrust Washer are ceramic. The stainless Impeller has a Carbon bushing. Other materials are available on special order.



MODEL TE-5C-MD, TE-5K-MD, AND TE-5S-MD PARTS LIST

ITEM	DESCRIPTION	QTY.	PART NUMBER
1	#8-32 X 1 $\frac{3}{4}$ " Lg. Rd. Hd. Mach. Screw	7	0150-0021-1000
2A	Cover, Pump Housing, Polypropylene	1	0150-0032-1000
2B	Cover, Pump Housing, 316 L Stainless	1	0150-0111-0000
2C	Cover, Pump Housing (Kynar)	1	0150-0124-1000
3	2 $\frac{7}{8}$ " I.D. X 3" O.D. X 1/16" Thk. "O" Ring (Viton)	1	0135-0023-1000
4	Washer (Ceramic)	1	0130-0028-1000
5	Impeller Shaft	1	0130-0024-1000
6A	Impeller & Magnet Assembly, Polypropylene	1	0150-0098-0200
6B	Impeller & Magnet Assembly, 316 L Stainless w/Carbon Bushing	1	0150-0114-0400
6C	Impeller & Magnet Assembly (Kynar)	1	0150-0125-0200
7A	Pump Housing, Polypropylene	1	0150-0031-0100
7B	Pump Housing, 316 L Stainless	1	0150-0110-0000
7C	Pump Housing (Kynar)	1	0150-0123-0100
8	Drive Magnet Assembly	1	0150-0176-0300
9	Motor Bracket	1	0150-0070-0100
10	Motor – 3550 R.P.M. T.E.F.C. – 115/230 Volt – 50/60 Hz	1	0150-0090-1000
11	Washer	4	0150-0051-1000
12	Screw	4	0150-0050-1000

Contact factory for other materials and/or parts not listed.

LIMITED WARRANTY

March pumps are guaranteed only against defects in workmanship or materials for a period of one year from date of manufacture pumping water. On all other solutions, contact the factory for application assistance. March Pump Application Worksheet 750-130-10 is available for additional warranty information.



1819 PICKWICK AVE., GLENVIEW, IL 60026-1306, U.S.A
 PHONE: (847) 729-5300 · FAX: (847) 729-7062 · www.marchpump.com

0150-0060-1000 R11