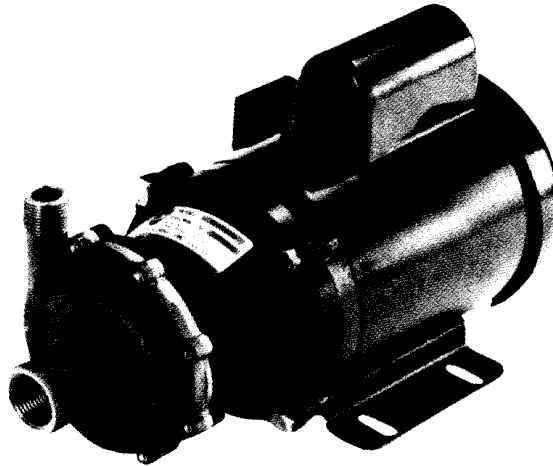


MARCH

INSTRUCTIONS AND REPAIR PARTS FOR MODEL TE-5.5C-MD AND TE-5.5K-MD



MODEL TE-5.5C-MD
ASS'Y. P/N 151-027-01

PUMP CONSTRUCTION & SERVICING

March "Orbital" Magnetic Drive Pumps eliminate the conventional shaft seals found in most pumps. This means that there is no rotating shaft or seal to wear and allow the liquid being pumped to leak out. The only seal in the pump is a stationary Viton "O" ring between the front and the rear Housings.

The pump can be serviced with the use of a screw driver. The only moving part in the pump, other than the motor, is the Impeller-Magnet Assembly which rotates on a stationary ceramic spindle and up against a ceramic thrust washer. These are the only parts that might wear, and may require replacement. See the Repair Parts List for replacement parts.

Do not overtighten the 8 Housing Screws (item 13) or you may crush the plastic Housing bosses. Tighten all screws uniformly.

ELECTRICAL AND OPERATION

The standard pump has a TEFC motor, 115/230 volts, 60/50 Hz, 1 phase, 3450 r.p.m. rated as continuous duty. A junction box is located on the side of the motor for the electrical hook up. The wiring

instructions are located on the motor label or on the junction box cover. The motor has U.L. yellow card recognition.

We rely on the liquid being pumped to lubricate the Impeller-Magnet assembly bushing spinning on the stationary ceramic spindle. If the pump is run dry for longer than 30 seconds, the Impeller bushing may "freeze" onto the spindle. The direction of motor rotation should be clockwise looking at the inlet of the pump. Other bushing materials are available for "dry" running.

Totally enclosed explosion proof and special voltage motors are available upon special order.

PUMP MATERIALS

All plastic parts of the pump are molded out of glass filled polypropylene or Kynar. The stationary spindle and Thrust Washers are made of porcelain ceramic. The "O" ring for the housing is Viton rubber. The standard impeller requires no bushing. Special bushings are available. There are no other materials in contact with the solution. Contact the factory for other materials that are available, if you are uncertain of the material compatibility with your specific solution.

RATINGS AND SPECIFICATIONS

MODEL NO.	CONNECTORS		ELECTRICAL			GPM AT LISTED HEAD (60 Hz)					PSI GAGE	DIMENSIONS		
	INLET	OUTLET	HP	VOLTS	AMPS	1 FT.	10 FT.	20 FT.	30 FT.	40 FT.		HT.	WD.	LG.
TE-5.5C/K-MD	1" FPT	¾" MPT	1/3	115/230	3.6/1.8	27	23	18.2	11.7	1.5	17.5	8 ¹ / ₁₆ "	7 ¹ / ₁₆ "	14 ¹ / ₁₆ "

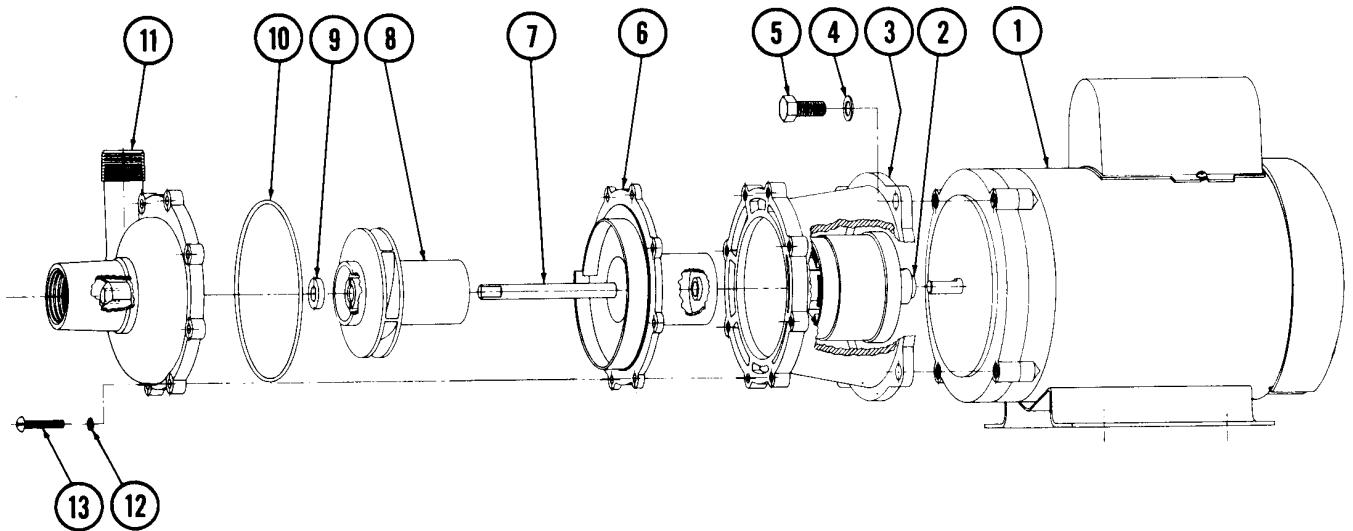


MARCH MFG., INC.

Sales Offices in Principal Cities

1819 Pickwick Ave., Glenview, Illinois 60025-5793
Phone: (847) 729-5300 • Fax: (847) 729-7062

151-026-10R4



TE-5.5C-MD AND TE-5.5K-MD REPAIR AND PARTS LIST			
ITEM	DESCRIPTION	QUANTITY	PART NUMBER
1	Motor, 115/230 Volt, 1 Phase	1	151-015-10
2	Drive Magnet Assembly	1	151-061-01
3	Motor Connecting Bracket	1	151-014-10
4	$\frac{3}{8}$ I.D. x $\frac{5}{8}$ O.D. Stainless Washer	4	155-019-10
5	$\frac{3}{8}$ -16 x $\frac{3}{4}$ Long Screw	4	155-017-10
6A	Rear Housing (Polypropylene)	1	151-028-10
6B	Rear Housing (Kynar)	1	151-045-10
7	Impeller Shaft, Ceramic	1	153-007-10
8A	Impeller Assembly (Polypropylene)	1	151-029-05
8B	Impeller Assembly (Kynar)	1	151-046-03
9	Thrust Washer, Ceramic	1	155-009-10
10	$4\frac{1}{4}$ I.D. x $\frac{3}{32}$ Thick "O" Ring, Viton	1	153-015-10
11A	Pump Housing (Polypropylene)	1	151-027-10
11B	Pump Housing (Kynar)	1	151-044-10
12	#10 I.D. Stainless Washer	8	150-051-10
13	#10-32 x 1 Long Stainless Screw	8	151-017-10

Prices subject to change without notice. Contact factory for other materials/or parts not listed on standard pumps. When ordering parts specify serial number of pump that parts are to be used on.

LIMITED WARRANTY

March pumps are guaranteed only against defects in workmanship or materials for a period of one year from date of manufacture pumping water. On all other solutions contact factory for written warranty. See March Pump Application questionnaire 750-130-10 for additional warranty information.

MARCH MANUFACTURING, INC.

1819 PICKWICK AVE., GLENVIEW, ILLINOIS 60025-5793, U.S.A.
PHONE: (847) 729-5300 • FAX: (847) 729-7062