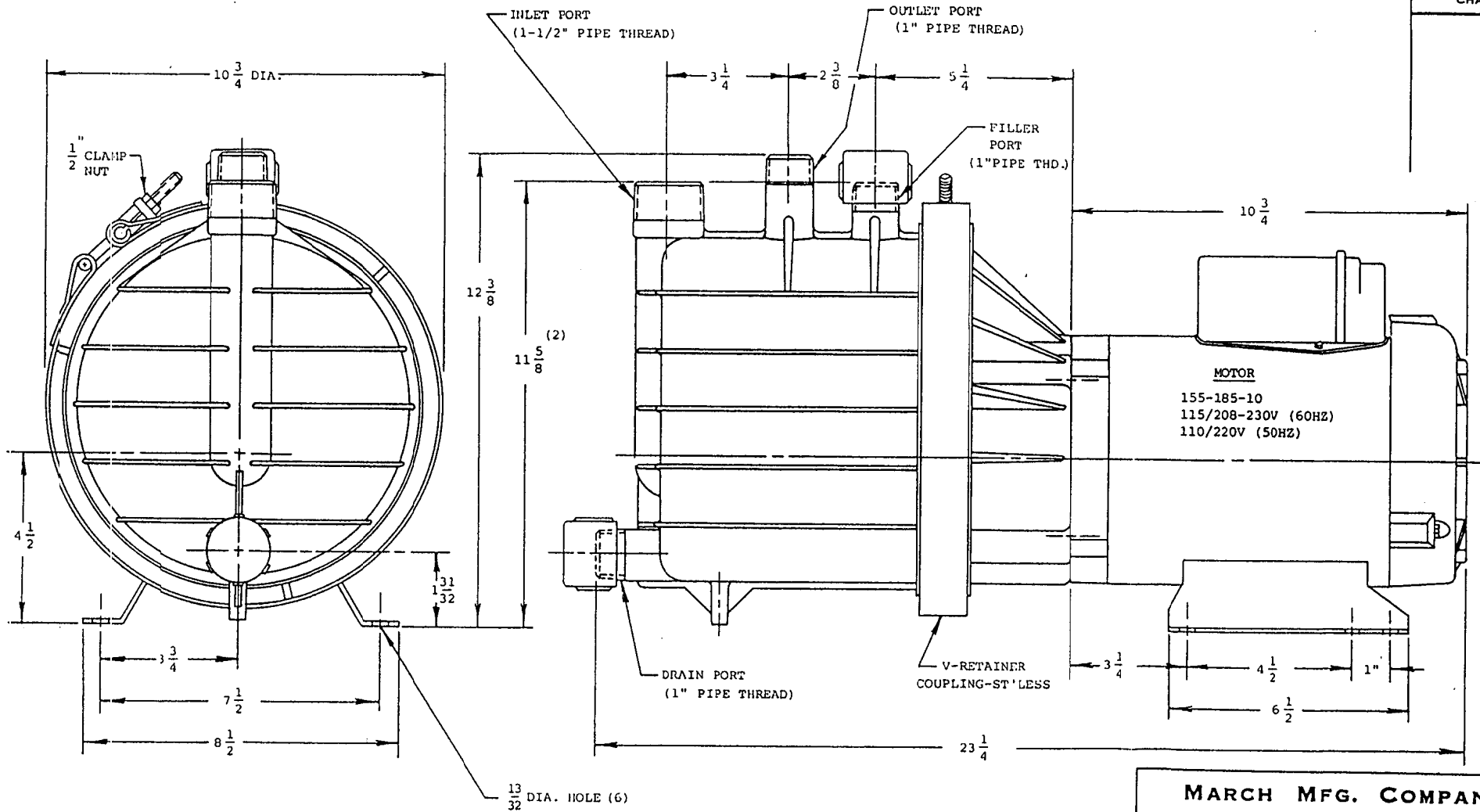


CHANGES



	MODEL	ASSEMBLY No.
(POLYP.)	SP-TE-7P-MD-1PH-1HP	155-187-01
(KYNAR/CARBON)	SP-TE-7K-MD-1PH-1HP	155-188-02

THIS DOCUMENT DISCLOSES SUBJECT MATTER IN WHICH MARCH MFG. CO. HAS PROPRIETARY RIGHTS. NEITHER RECEIPT NOR POSSESSION THEREOF CONFERS OR TRANSFER ANY RIGHT TO REPRODUCE OR DISCLOSE THE DOCUMENT, ANY PART THEREOF, ANY INFORMATION CONTAINED THEREIN, OR ANY PHYSICAL ARTICLE OR DEVICE OR TO PRACTICE ANY METHOD OR PROCESS, EXCEPT BY WRITTEN PERMISSION FROM OR WRITTEN AGREEMENT WITH MARCH MFG. CO.

MARCH MFG. COMPANY

1819 PICKWICK AVE.

GLENVIEW, ILL.

PART NAME PUMP ASSEMBLY SP-TE-7-MD (SINGLE PHASE)

MOTOR: MARATHON-TEFC-56 FRAME -1 HP

	SCALE 3/8"=1"	QTY. REQ. 1
FINISH	DRAWN JT/HZ	DATE 2-5-96
UNLESS OTHERWISE NOTED TOLERANCE ON FRACTIONS ± TOLERANCE ON DECIMALS ±	CHECKED	
	APPROVED	BIG

PART NUMBER 155 SERIES