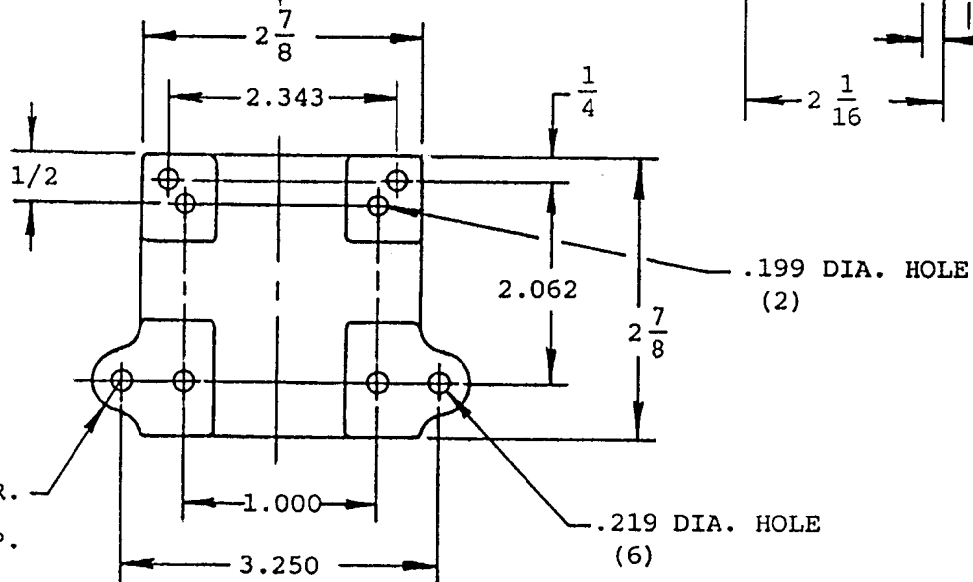
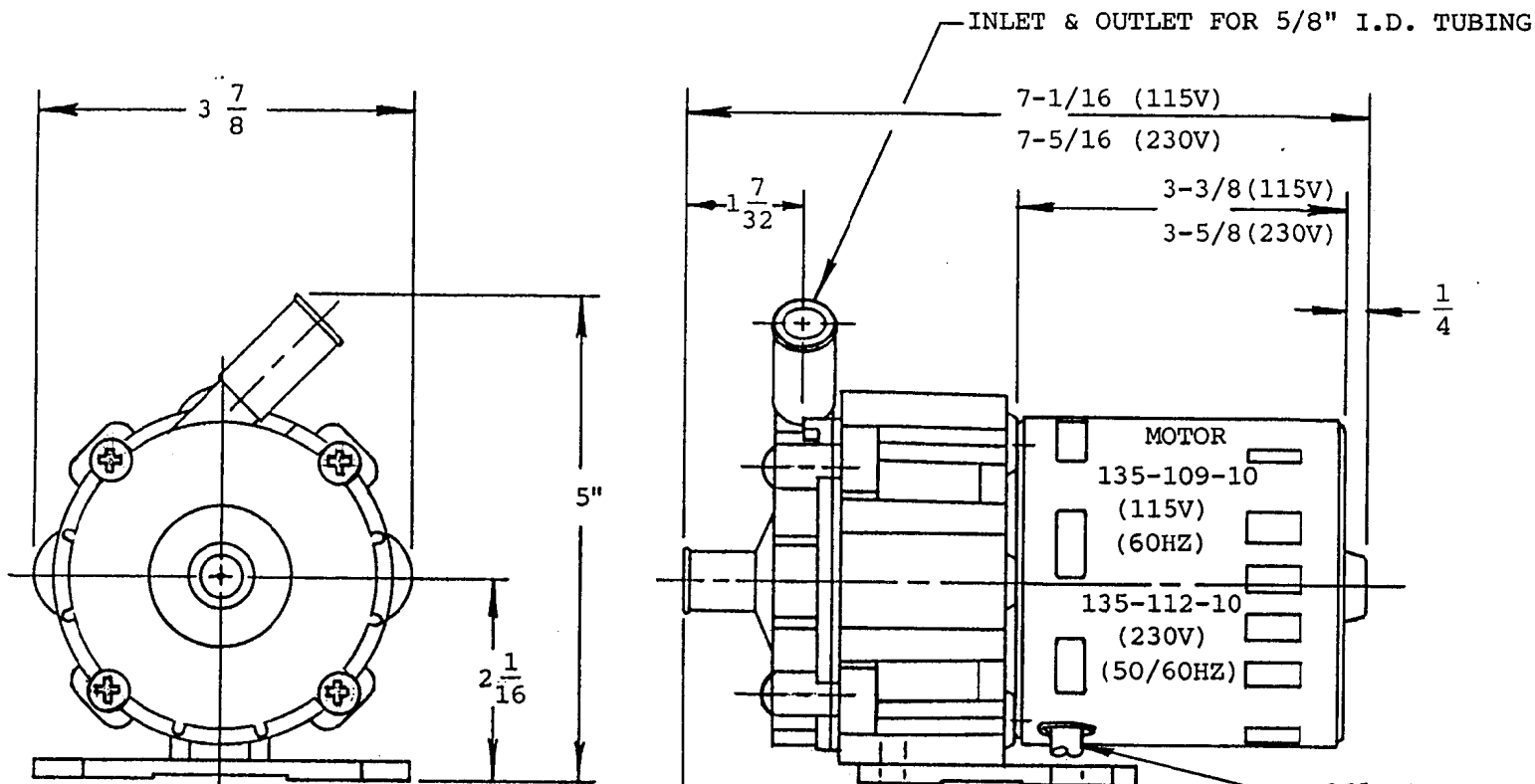


(C) REDRAWN
 7-19-93 J.T.
 (D) WING NUTS (4)
 REMOVED. ASS'Y
 NOW USES (4)
 SCREWS.
 7-29-96 J.T.



36" CORD-NO PLUG

ASSEMBLY No.
 135-006-01 (115V 60HZ)
 135-163-02 (230V 50/60HZ)

QTY. USED ON ASSEM.

MARCH MFG. INC.

1819 PICKWICK AVE.

GLENVIEW, IL

PART NAME PUMP ASSEMBLY MDX-5/8

MOTOR: FASCO

HEAT TRMT.	SCALE 1/2"=1"	QTY. REQ. 1
------------	---------------	-------------

FINISH	DRAWN JT/HZ	DATE 7-19-93
--------	-------------	--------------

UNLESS OTHERWISE NOTED TOLERANCE ON FRACTIONS ± 1/64 TOLERANCE ON DECIMALS ± .005	CHECKED	
	APPROVED	

PART NUMBER 135 SERIES