

SERIES MDX

Seal-less Magnetic Drive Pumps

The MDX series is used in a wide variety of applications including coffee dispensers, aquariums, bio-medical applications, dryers, ice makers, electrostatic painting, photographic processing, and vending equipment. Other materials and voltages in addition to those shown are available.

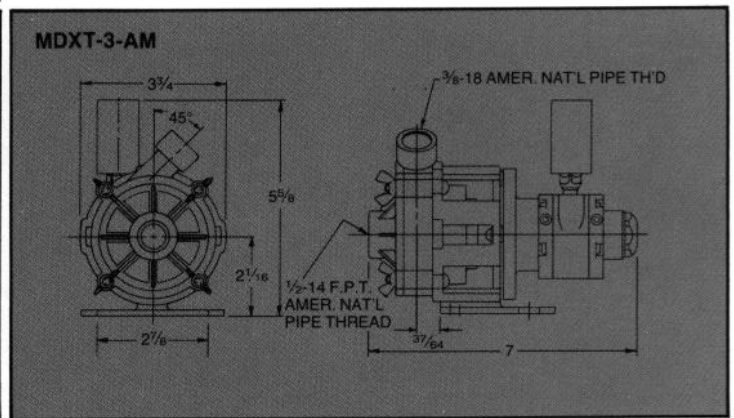
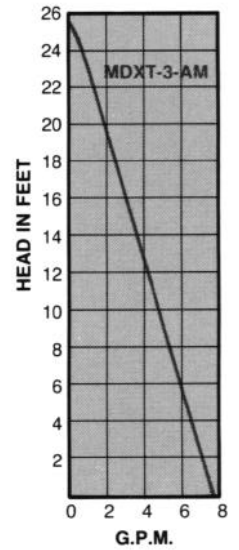
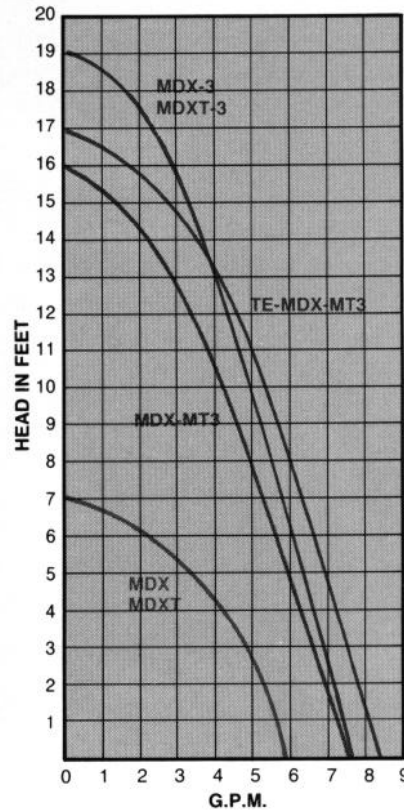
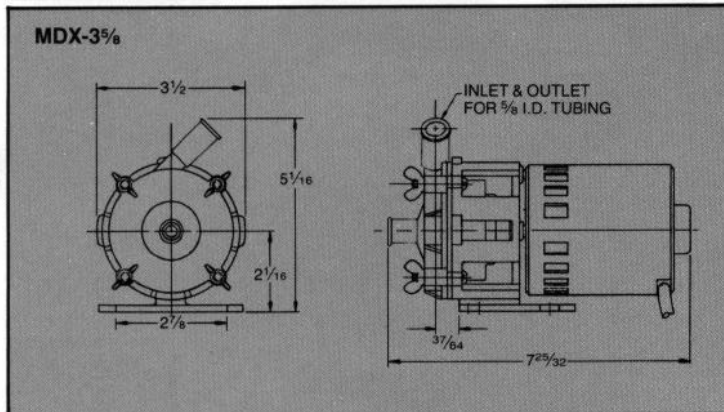
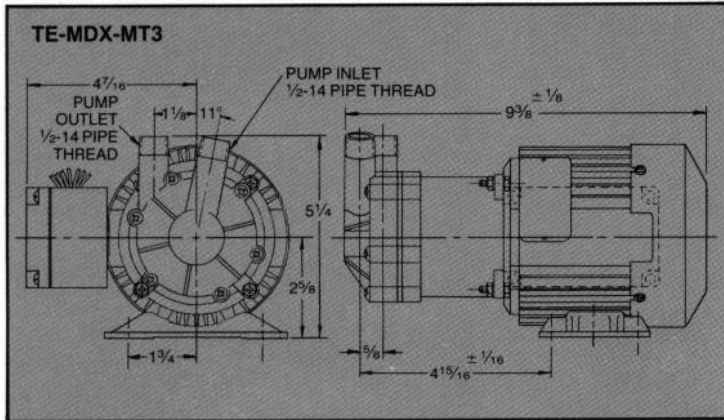
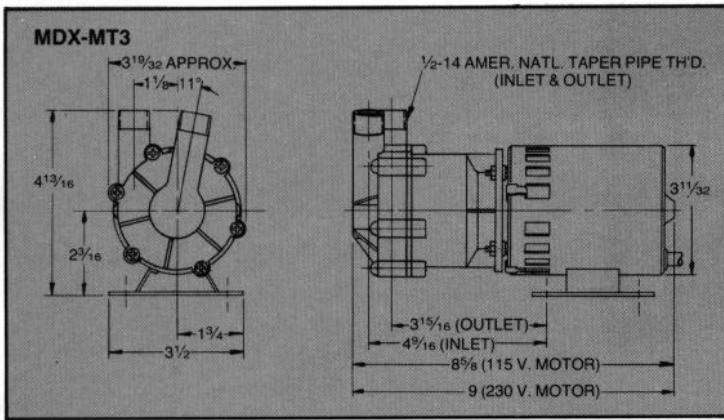
TE-MDX-MT3

MDXT-3-AM

MDXT-3

MDX-MT3

MDX-3½



Photographs, dimensional drawings and flow curves may vary depending on the current motors being used. Contact your local distributor for accurate current data for layout purposes.

MADE IN USA

ELECTRIC MOTORS

| Model | Max. Flow GPM | Max. Head Ft. | Inlet | Outlet | HP | RPM | Volts* | PH | Hz | Watts | AMP | Motor Type | Electrical Connection | Materials* in Contact with Solution | Max. Int. Press PSI | Max. Liquid Temp. °F | Wt. Packed Lbs. |
|------------|---------------|---------------|---------|---------|------|------|---------|----|-------|-------|---------|------------|-----------------------|--|---------------------|----------------------|-----------------|
| MDX-1/2 | 5.5 | 7 | 1/2"OD | 1/2"OD | | | | | | | | | | Glass filled polypropylene, Kynar®, Ryton®, Buna N, Ceramic magnet | 50 | 190 | 5 1/2 |
| MDX-3/8 | 6.0 | 7 | 5/8"OD | 5/8"OD | 1/50 | 1700 | 115 | 1 | 60 | 64 | .85 | AC | | | | | |
| MDXT | 6.0 | 7 | 1/2"FPT | 3/8"FPT | | | | | | | | | | | | | |
| MDXT-3 | 7.6 | 19 | 1/2"FPT | 3/8"FPT | | | | | | | | | 3 ft. SJT Cord | | 50 | 190 | 6 |
| MDX-3 1/2 | 7.6 | 19 | 1/2"OD | 1/2"OD | 1/25 | 3400 | 115 | 1 | 50/60 | 108 | 1.35 | AC | | | | | |
| MDX-3 5/8 | 7.6 | 19 | 5/8"OD | 5/8"OD | | | | | | | | | | | | | |
| MDX-MT3 | 7.6 | 16 | 1/2"MPT | 1/2"MPT | 1/25 | 3400 | 115 | 1 | 50/60 | 110 | 1.35 | AC | | Ryton, Ceramic, Viton® | 75 | 200 | 6 1/2 |
| TE-MDX-MT3 | 8.4 | 17 | 1/2"MPT | 1/2"MPT | | | | | | | | | Conduit Box | Ryton, Ceramic, Viton® | 75 | 200 | 10 |
| TE-MDK-MT3 | 8.4 | 17 | 1/2"MPT | 1/2"MPT | 1/15 | 3450 | 115/230 | 1 | 50/60 | 130 | .86/.43 | TEFC | | Kynar, Ceramic, Viton® | 75 | 200 | 10 |

AIR MOTORS

| Model | Max. Flow GPM | Max. Head Ft. | Inlet | Outlet | HP | RPM | Max. Air Press. PSI | Max. CFM Req'd | Motor Type | Materials* in Contact with Solution | Max. Int. Press PSI | Max. Liquid Temp. °F | Wt. Packed Lbs. |
|--------------|---------------|---------------|---------|---------|-----|------|---------------------|----------------|------------|-------------------------------------|---------------------|----------------------|-----------------|
| MDX-3 1/2-AM | 7.8 | 26 | 1/2"OD | 1/2"OD | 1/8 | 2600 | 21 | 3 | AM | | | | |
| MDX-3 5/8-AM | 7.8 | 26 | 5/8"OD | 5/8"OD | 1/8 | 2600 | 21 | 3 | AM | | | | |
| MDXT-3-AM | 7.8 | 26 | 1/2"FPT | 3/8"FPT | 1/8 | 2600 | 21 | 3 | AM | | | | |
| MDX-MT3-AM | 8.6 | 26 | 1/2"MPT | 1/2"MPT | 1/8 | 2600 | 21 | 3 | AM | Ryton, Ceramic, Viton® | 75 | 200 | 4 |
| MDK-MT3-AM | 8.6 | 26 | 1/2"MPT | 1/2"MPT | 1/8 | 2600 | 21 | 3 | AM | Kynar, Ceramic, Viton® | 75 | 200 | 4 |

*Other materials and voltages available on special order.
 ◆ RPM at wide open flow and 0 head, RPM increases as head is increased.

Explosion proof motors available on TE-MDX-MT3 and TE-MDK-MT3.