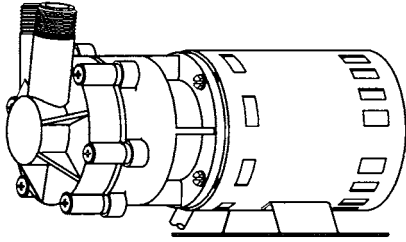




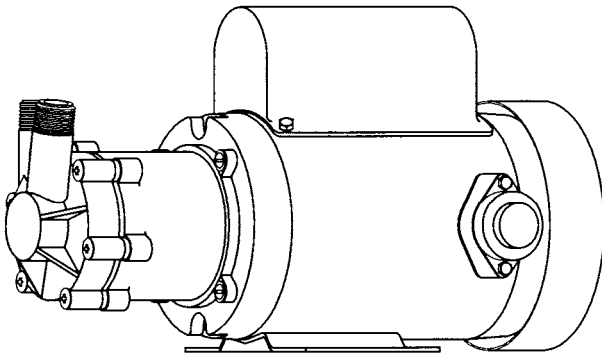
# MARCH PUMPS

1819 PICKWICK AVE., GLENVIEW, IL 60026-1306, U.S.A  
 PHONE: (847) 729-5300 - FAX: (847) 729-7062  
 WWW.MARCHPUMP.COM

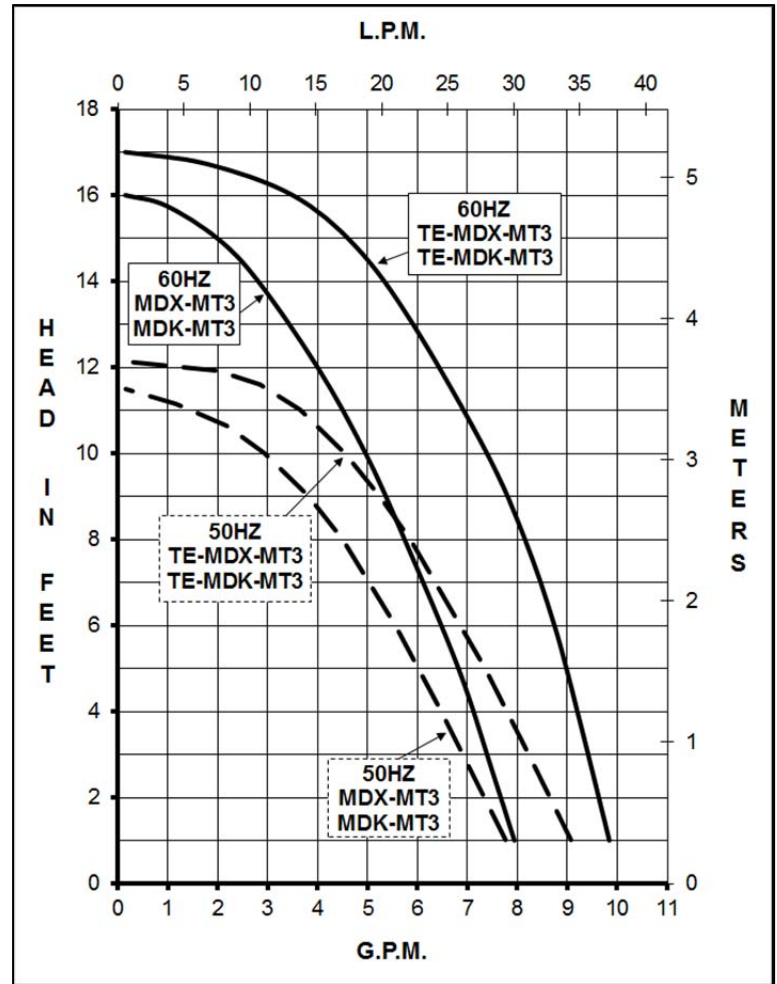
**MDX-MT3**  
**MDK-MT3**  
**TE-MDX-MT3**  
**TE-MDK-MT3**



**MDX-MT3**  
**MDK-MT3**



**TE-MDX-MT3**  
**TE-MDK-MT3**



### MODEL ABBREVIATIONS:

X = Ryton, K = Kynar, TE = Totally Enclosed Fan Cooled Motor

**DESCRIPTION:** Series MDX & MDK are centrifugal magnetic drive pumps, eliminating the need for a shaft seal. These pumps can be serviced with a screwdriver. See the repair parts list for a breakdown of replacement parts.

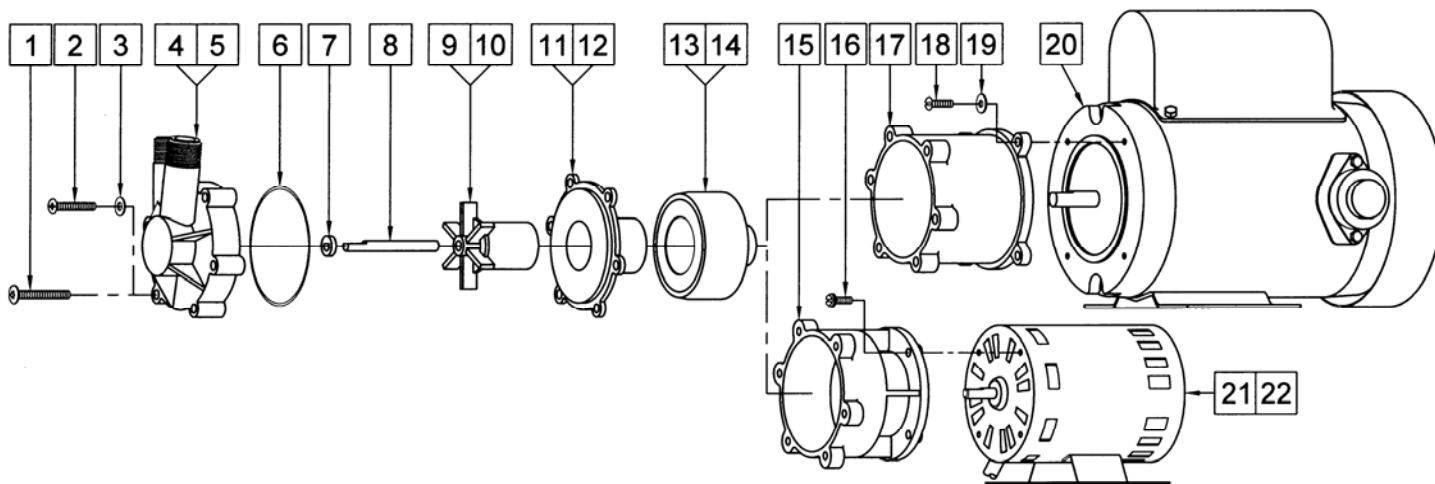
**OPERATION:** These pumps are not self-priming, lack a suction lift, and thus require a **flooded suction**. These pumps **cannot be run dry** because the impeller requires the liquid being pumped for lubrication. For liquids with a specific gravity greater than water, have a higher viscosity, or for elevated temperatures, a trimmed impeller may be necessary. For application assistance, contact March Pump.

### ELECTRICAL:

The MDX-MT3 & MDK-MT3 open air cooled motors are available in different electrical configurations such as 115V 50/60Hz, and 230V 50/60Hz, 1 phase. The TE-MDX-MT3 & TE-MDK-MT3 motor is totally enclosed fan cooled, dual 115/230V, 50/60 Hz, 1 phase. The motors are U.L. listed and rated as continuous duty. Explosion proof motors are available upon special order.

**NOTES:** All specifications & data are based on pumping water & are intended as a guideline only. Specifications may vary with different motors.

SPECIFICATIONS			TE			
			MDX-MT3	MDK-MT3	MDX-MT3	MDK-MT3
Max Flow	50Hz	lpm	30		35	
	60Hz	gpm	8		10	
Max Head	50Hz	m	3.5		3.7	
	60Hz	ft (psi)	16 (6.9)		17 (7.4)	
Inlet			1/2" MPT		1/2" MPT	
Outlet			1/2" MPT		1/2" MPT	
Max Internal Pressure	psi		75		75	
	bar		5		5	
Max Liquid Temperature	°F		200		200	
	°C		93		93	
Packaged Weight	kg/lbs		3/6.5		4.5/10	
Motor Type			Air Cooled 1 Phase		TEFC 1 Phase	
50Hz	115V	Watts - Amps	114 - 1.35		95 - 1.04	
		Kw - Rpm	0.029 - 2850		0.049 - 2850	
60Hz	115V	Watts - Amps	120 - 1.35		115 - 1	
		Hp - Rpm	1/25 - 3450		1/15 - 3450	
Electrical Connection			3 ft (0.9 m) Cord		Conduit Box	
Overall Pump Dimensions in Inches / cm	Height		4.82 / 12.2		7.19 / 18.2	
	Width		3.70 / 9.3		8.02 / 20.3	
	Length		8.41 / 21.3		12.42 / 31.5	
Motor Type			Air Cooled 1 Phase		TEFC 1 Phase	
50Hz	230V	Watts - Amps	124 - 0.80		95 - 0.52	
		Kw - Rpm	0.029 - 2850		0.049 - 2850	
60Hz	230V	Watts - Amps	117 - 0.85		115 - 0.5	
		Hp - Rpm	1/25 - 3450		1/15 - 3450	
Electrical Connection			3 ft (0.9 m) Cord		Conduit Box	
Overall Pump Dimensions in Inches / cm	Height		4.82 / 12.2		7.19 / 18.2	
	Width		3.70 / 9.3		8.02 / 20.3	
	Length		9.02 / 22.9		12.42 / 31.5	



### REPAIR PARTS LIST

ITEM	DESCRIPTION	MATERIAL	SIZE (Inches)	QTY	PART #	MDX-MT3	MDK-MT3	TE	
								MDX-MT3	MDK-MT3
1	Screw	Stainless	#10-32 x 1-1/2 Lg.	6	0823-0008-1000			S	S
2	Screw	Stainless	#10-32 x 1-1/8 Lg.	6	0135-0181-1000	S	S		
3	Washer	Stainless	#10	6	0150-0051-1000	S	S		
4	Front Housing	Ryton	1/2 MPT	1	0135-0088-1000	S		S	
5	Front Housing	Kynar	1/2 MPT	1	0135-0152-1000		S		S
6	"O" Ring	Viton	1/16 CS x 2-7/8 OD	1	0135-0046-1000	S	S	S	S
6A	"O" Ring	Teflon	1/16 CS x 2-7/8 OD	1	0135-0122-1000	O	O	O	O
7	Thrust Washer	Ceramic		1	0130-0028-1000	S	S	S	S
8	Shaft	Ceramic		1	0130-0024-1000	S	S	S	S
9	Impeller	Ryton		1	0135-0113-0200	S		S	
10	Impeller	Kynar		1	0135-0154-0200		S		S
11	Rear Housing	Ryton		1	0135-0087-1000	S		S	
12	Rear Housing	Kynar		1	0135-0153-1000		S		S
13	Drive Magnet		0.375 Bore	1	0130-0043-0300			S	S
14	Drive Magnet		0.250 Bore	1	0130-0043-0100	S	S		
15	Motor Bracket	Plastic		1	0135-0135-0100	S	S		
16	Screw (Hex Washer Hd)	Stainless	#8-32 x 1/2 Lg.	4	0135-0169-1000	S	S		
17	Motor Bracket	Plastic		1	0135-0089-0100			S	S
18	Screw	Stainless	#8-32 x 5/8 Lg.	4	0618-0027-1000			S	S
19	Washer	Stainless	#8	4	0135-0016-1000			S	S
20	Motor, TEFC, 115/230V			1	0135-0148-1000			S	S
21	Motor, 115V, 50/60HZ			1	0135-0114-1000	S	S		
22	Motor, 230V, 50/60HZ			1	0135-0136-1000	S	S		

NOTE: Contact Factory for other materials and/or parts not listed.

Legend: S = Standard, O = Optional

#### NOTE:

When attaching the Drive Magnet (Item 13, 14) to the motor shaft, position the face of the Drive Magnet 1/16 inch below the face of the Motor Bracket (Item 15, 17).

#### MATERIALS IN CONTACT WITH SOLUTION:

MDX-MT3: Ryton, Ceramic, Viton

MDK-MT3: Kynar, Ceramic, Viton

TE-MDX-MT3: Ryton, Ceramic, Viton

TE-MDK-MT3: Kynar, Ceramic, Viton

#### LIMITED WARRANTY:

March pumps are guaranteed only against defects in workmanship or materials for a period of one year from date of manufacture pumping water. For the complete warranty and to register online go to [www.marchpump.com/warranty-registration](http://www.marchpump.com/warranty-registration)