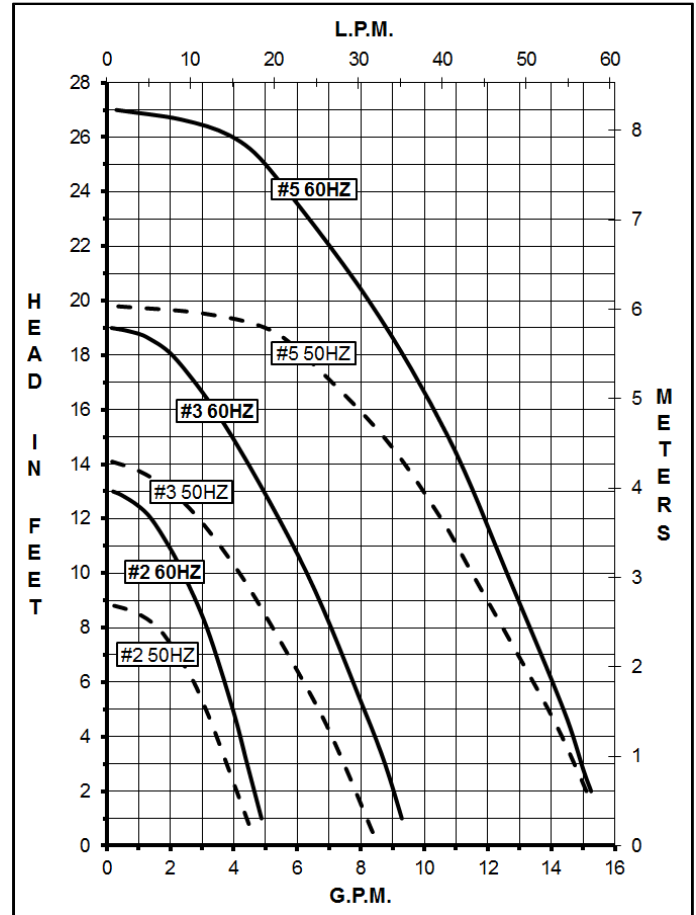
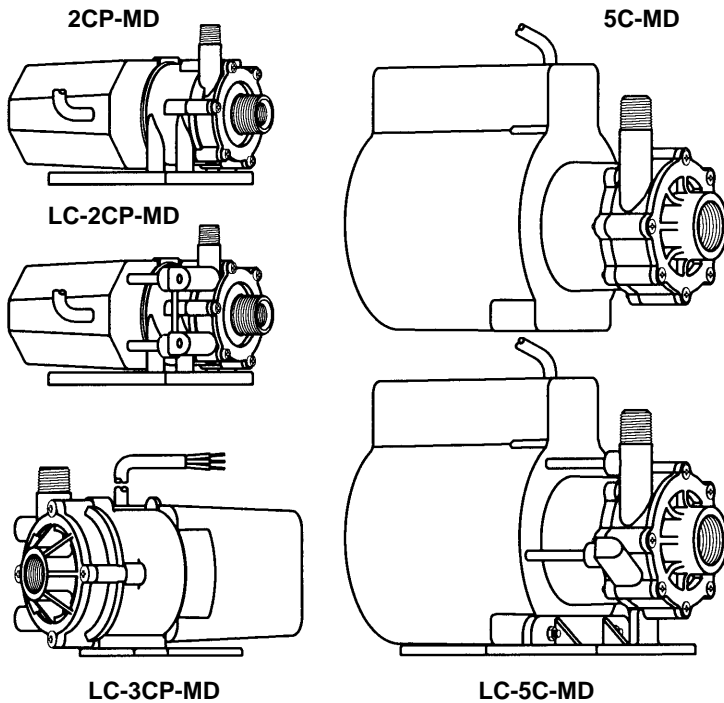




# MARCH PUMPS

1819 PICKWICK AVE., GLENVIEW, IL 60026-1306, U.S.A  
 PHONE: (847) 729-5300 - FAX: (847) 729-7062  
 WWW.MARCHPUMP.COM

## 2CP-MD, LC-2CP-MD LC-3CP-MD 5C-MD, LC-5C-MD



**DESCRIPTION:** Epoxy Series 2, 3, & 5 are centrifugal magnetic drive pumps, eliminating the need for a shaft seal. These pumps can be serviced with a screwdriver. The models are hermetically encapsulated, which allows the "LC" pumps to run fully submerged in many liquids or in open air for complete moisture protection. The models 2CP-MD & 5C-MD must be run submerged only. When reassembling the pump for service, make sure all "O" Rings are properly seated. See the repair parts list for a breakdown of replacement parts.

**OPERATION:** These pumps are not self-priming, lack a suction lift, and thus require a **flooded suction**. These pumps **cannot be run dry** because the impeller requires the liquid being pumped for lubrication. For liquids with a specific gravity greater than water, have a higher viscosity, or for elevated temperatures, a trimmed impeller may be necessary. For application assistance, contact March Pump.

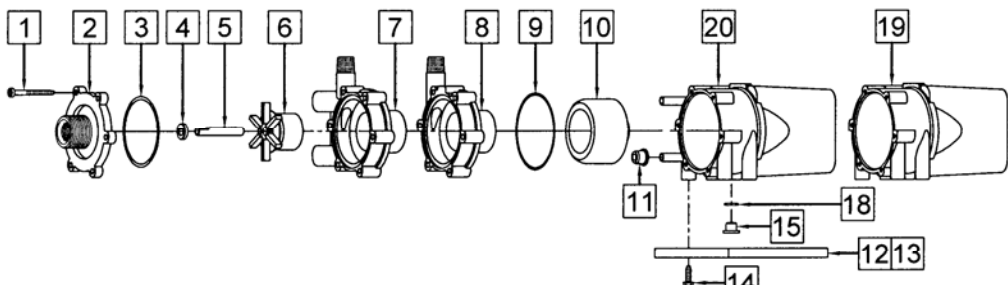
**ELECTRICAL:** Motors are available in different electrical configurations such as 115V 50/60Hz or 230V 50/60Hz, single phase. All cord sets are 6 feet in length and are U.L. LISTED 18/3 wire SJT or SJO. The motors are U.L. LISTED and rated as continuous duty.

The 2CP-MD and LC-2CP-MD pumps are U.L. Recognized under File No. E80954. U.L. Recognition On Pumps Is For Water Only. For pumping liquids other than water, contact factory.

**NOTES:** All specifications & data are based on pumping water & are intended as a guideline only. Specifications may vary with different motors.

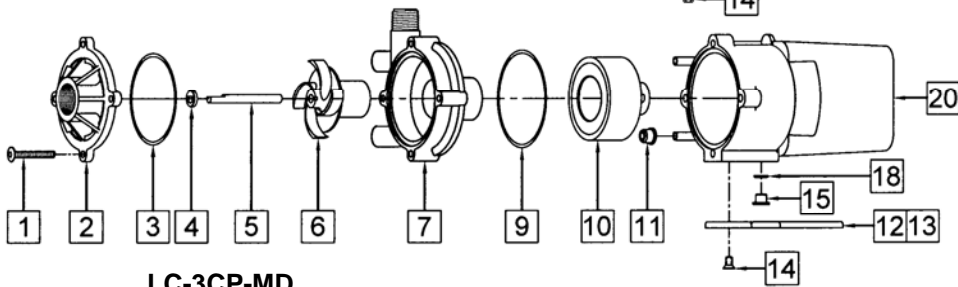
**LIMITED WARRANTY:** March pumps are guaranteed only against defects in workmanship or materials for a period of one year from date of manufacture pumping water. For the complete warranty and to register online go to [www.marchpump.com/warranty-registration](http://www.marchpump.com/warranty-registration)

SPECIFICATIONS			2CP-MD	LC-2CP-MD	LC-3CP-MD	5C-MD	LC-5C-MD
Max Flow	50Hz	lpm	18.5		31		54.8
	60Hz	gpm	5		8.5		14.5
Max Head	50Hz	m	2.7		4.3		6
	60Hz	ft (psi)	13 (5.6)		19 (8.2)		27 (11.7)
Inlet			3/8" FPT & 3/4" MPT		3/4" FPT		1" FPT
Outlet			1/4" MPT		1/2" MPT		1/2" MPT
Max Internal Pressure	psi		50	25	25		50
	bar		3.4	1.7	1.7		3.4
Max Liquid Temperature		°F	130		130		130
		°C	54		54		54
Packed Weight		kg/lbs	2.3/5		3.85/8.5		8/18
Motor Type			SUB 50/60Hz	TE/SUB 50/60Hz	TE/SUB 50/60Hz	SUB 50/60Hz	TE/SUB 50/60Hz
Phase			1		1		1
115V	50Hz	Watts - Amps	58 - 1.1		137 - 2.36		147 - 1.2
		Kw - Rpm	0.021 - 2850		0.037 - 2850		0.093 - 2850
	60Hz	Watts - Amps	54 - 0.92		120 - 2.0		216 - 1.6
		Hp - Rpm	1/35 - 3450		1/20 - 3450		1/8 - 3450
Electrical Connection			6 ft Cord w/plug	6 ft (1.8 m) Cord	6 ft (1.8 m) Cord	6 ft (1.8 m) Cord w/plug	
Motor Type			SUB 50/60Hz	TE/SUB 50/60Hz	TE/SUB 50/60Hz	SUB 50/60Hz	TE/SUB 50/60Hz
Phase			1		1		1
230V	50Hz	Watts - Amps	59 - 0.72		100 - 1.0		145 - 0.5
		Kw - Rpm	0.021 - 2850		0.037 - 2850		0.093 - 2850
	60Hz	Watts - Amps	57 - 0.53		120 - 1.0		207 - 0.9
		Hp - Rpm	1/35 - 3450		1/20 - 3450		1/8 - 3450
Electrical Connection			6 ft (1.8 m) Cord		6 ft Cord		6 ft (1.8 m) Cord
Overall Pump Dimensions in Inches / cm	Height		4.13 / 10.4		4.87 / 12.3	6.90 / 17.5	7.14 / 18.1
	Width		4.87 / 12.3		4.75 / 12.0	5.56 / 14.1	5.63 / 14.3
	Length		6.11 / 15.5		7.38 / 18.7	9.85 / 25.0	9.85 / 25.0

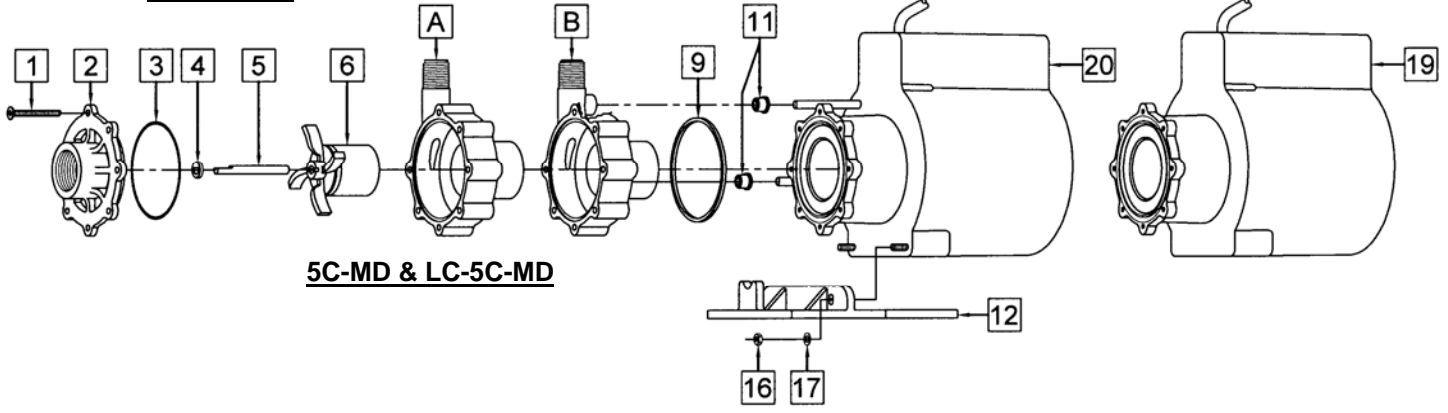


← 2CP-MD & LC-2CP-MD

"O" Ring Info Chart (Inches)			
Models	Material	ITEM #3	
		CS	OD
2CP-MD	Viton	3/32	2-3/16
LC-2CP-MD	Viton	3/32	2-13/16
LC-3CP-MD	Buna N	3/32	2-13/16
5C-MD	Buna N	1/16	3
LC-5C-MD	Buna N	1/16	3
ITEM #9			
2CP-MD	Viton	1/16	2-3/8
LC-2CP-MD	Viton	1/16	2-3/8
LC-3CP-MD	Buna N	3/32	3
5C-MD	Buna N	Quad Ring	
LC-5C-MD	Buna N	Quad Ring	



**LC-3CP-MD**



**5C-MD & LC-5C-MD**

**REPAIR PARTS LIST**

ITEM	DESCRIPTION	MATERIAL			2CP-MD LC-2CP-MD		2CP-MD	LC-2CP-MD	LC-3CP-MD		LC-3CP-MD	5C-MD LC-5C-MD		5C-MD	LC-5C-MD
		#2 Pumps	#3 Pumps	#5 Pumps	QTY	PART #			QTY	PART #		QTY	PART #		
1	Screw	Stainless Steel			6	0115-0062-1000	S	S	4	0823-0008-1000	S	7	0150-0021-1000	S	S
2	Cover	Polypropylene			1	0125-0056-1000	S	S	1	0130-0021-1000	S	1	0150-0032-1000	S	S
3	"O" Ring, Cover	Viton	Buna N		1	0125-0065-1000	S	S	1	0130-0011-1000	S	1	0135-0007-1000	S	S
4	Thrust Washer	Ceramic			1	0130-0028-1000	S	S	1	0130-0028-1000	S	1	0130-0028-1000	S	S
5	Shaft	Stainless	Ceramic		1	0125-0125-1000	S	S	1	0130-0024-1000	S	1	0130-0024-1000	S	S
6	Impeller	Polypropylene/Ceramic Magnet			1	0125-0055-0100	S	S	1	0130-0020-0100	S	1	0150-0030-0100	S	S
7	Rear Housing & Plug Assembly	Polypropylene			1	0125-0057-0100		S	1	0130-0019-0100	S				
8	Rear Housing	Polypropylene			1	0125-0058-1000	S								
A	Rear Housing w/Thrust Washer	Polypropylene/Ceramic										1	0150-0031-0100	S	
B	Rear Housing w/Thrust Washer & Plug	Polypropylene/Ceramic										1	0150-0153-0200		S
9	"O" Ring, Bracket	Viton	Buna N		1	0125-0121-1000	S	S	1	0130-0025-1000	S	1	0150-0020-1000	S	S
10	Drive Magnet				1	0125-0083-0100	S	S	1	0130-0043-0100	S				
11	Cooling Tube Seal	Buna N			2	0125-0007-1000		S	2	0125-0007-1000	S	2	0125-0007-1000		S
12	Mounting Base	Polypropylene	Noryl		1	0125-0060-1000	S	S	1	0125-0037-1000	S	1	0150-0155-1000		S
13	Marine Mounting Base w/Grommets*	Polypropylene			1	0125-0113-0100		O	1	0125-0113-0100	O				
13A	Base Screw for Marine Base*	Stainless			4	0125-0130-1000		O	2	0130-0146-1000	O				
14	Base Screw	Stainless Steel			4	0125-0130-1000	S	S	2	0130-0132-1000	S				
15	Plug (for Motor Bracket)	Polypropylene			1	0125-0110-1000	S	S	1	0125-0110-1000	S				
16	Nut	Stainless Steel										2	0802-0008-1000		S
17	Lock Washer	Stainless Steel										2	0802-0006-1000		S
18	"O" Ring	Viton			1	0210-0008-1000	S	S	1	0210-0008-1000	S				
19	Epoxy Motor, Bracket, Cord Assy				n/a	Not Available	S		n/a	Not Available	S	n/a	Not Available	S	
20	L.C. Epoxy Motor, Bracket, Cord Assy				n/a	Not Available	S		n/a	Not Available	S	n/a	Not Available	S	

NOTE: Contact Factory for other materials and/or parts not listed.

\*Not Shown

Legend: S = Standard, O = Optional

**MATERIALS IN CONTACT WITH SOLUTION:**

2CP-MD & LC-2CP-MD: Polypropylene, Viton, Stainless Steel, Ceramic, Ceramic Magnet.

When pump is submerged the following additional materials are in contact: Epoxy, Buna N, and cord.

LC-3CP-MD: Cupric Nickel, Buna N, Ceramic, Ceramic Magnet.

When pump is submerged the following additional materials are in contact: Epoxy, Stainless Steel, Polysulfone, & cord.

5C-MD: Polypropylene, Buna N, Ceramic, Ceramic Magnetic, Noryl, Stainless Steel, Epoxy, and Cord.

LC-5C-MD wet end: Polypropylene, Buna N, Ceramic, Ceramic Magnet, and Stainless Steel.