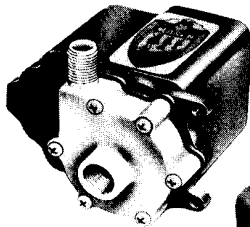


MARCH

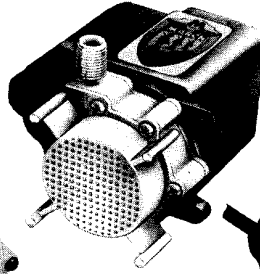
INSTRUCTIONS & REPAIR PARTS SUBMERSIBLE AND OPEN-AIR EPOXY-CLAD MODELS



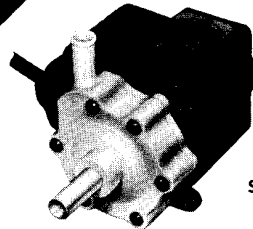
STYLE - "C"



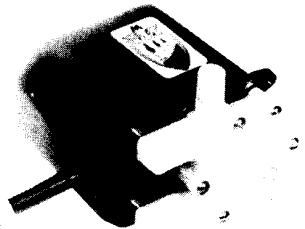
STYLE - "E"



STYLE - "U"



STYLE - "A"



STYLE - "LC"

SUBMERSIBLE MODEL SPECIFICATIONS

CAP. SERIES	CONN. TYPE	INLET	OUTLET	MOTOR H.P.	ELECTRICAL 115 VOLT	
					AMP	WATT
1	E	ELBOW 1/4" F.P.T.	1/4" M.P.T. 1/2" O.D.	1/75	.75	40
1	U	SCREENED UPRIGHT	1/4" M.P.T. MALE	1/75	.75	40
1-1	E	90° ELBOW 3/8" M.P.T. 1/2" O.D.	1/4" M.P.T. MALE	1/75	.75	40
1-1	U	SCREENED UPRIGHT	1/4" M.P.T. MALE	1/75	.75	40
2	C	3/8" F.P.T. FEMALE	1/4" M.P.T. MALE	1/35	1.2	67
2	U	SCREENED UPRIGHT	1/4" M.P.T. MALE	1/35	1.2	67

OPEN-AIR MODEL SPECIFICATIONS

CAP. SERIES	CONN. TYPE	INLET	OUTLET	MOTOR H.P.	ELECTRICAL 115 VOLT	
					AMP	WATT
1A	IN: A OUT: A.C	1/2" O.D. PLASTIC	1/4" M.P.T. 1/2" O.D.	1/75	.75	40
1-1A	A	1/2" O.D. PLASTIC	1/2" O.D. PLASTIC	1/75	.75	40
1C	IN: C OUT: C.A	3/8" F.P.T. FEMALE	1/4" M.P.T. 1/2" O.D.	1/75	.75	40
1-1C	C	3/8" F.P.T. FEMALE	1/4" M.P.T. MALE	1/75	.75	40
LC-2C	IN: C OUT: C.A	3/8" F.P.T. FEMALE	1/4" M.P.T. 1/2" O.D.	1/35	1.2	67

Series 1 Max. flow 2.3 gpm. Max. head 4.2 ft.
Series 1-1 Max. flow 4.5 gpm. Max. head 7 ft.
Series 2 Max. flow 6.5 gpm. Max. head 12.5 ft.

PUMP CONSTRUCTION

March Sub Pumps (blue color) can be totally SUBMERGED in a variety of liquids, including mildly corrosive chemicals. The "LC" models (maroon color) are liquid cooled "hermetics" for use in OPEN AIR. To use an "LC" for submerged duty, please specify PLASTIC MOLDED BRACKET for maximum service life. March Hermetics avoid the "oil-bath" design in order to eliminate the pressure and/or vacuum build-up that motor heat imparts to an oil-bath pump. March encapsulates in epoxy, the motor, cord and all pump components, leaving no air pockets for vacuum and pressure problems. Epoxy-clad pumps can be operated in any position since there is a double liquid barrier on the electric cord and double thrust washers at both motor bearings. The extra-large rubber seal (spring loaded) also prevents water from flooding the motor. March eliminates free oil inside the pump, so contamination of liquid pumped cannot occur.

The pumps can be submerged in up to 100°F water. The "LC" pumps can operate in open air with up to 130°F water. For water temperature above 130°F, use March Open Air Style Magnetic Drive Pumps.

ELECTRICAL CONNECTIONS AND RUNNING DRY

All models are standard in 115 volt, 60 cycle, 1 phase A.C. shaded pole motors with thermal overload protection. All cord sets are U.L. approved 18/3 wire SJT plastic cord with ground type molded plugs. Standard cord length is 6 feet. Other lengths available upon request. The motor and thermal overload combination is U.L. Yellow Card listed under File No. E39859. The motors have C.S.A. recognition under File No. 40072.

Do not allow pump to run dry for longer than 5 minutes. The rubber seal will become scorched and the rubber will harden. The blue colored pumps must be run fully submerged for proper cooling of the motor.

MARCH MANUFACTURING, INC.



1819 PICKWICK AVE., GLENVIEW, ILLINOIS 60025-5793

PHONE: (847) 729-5300

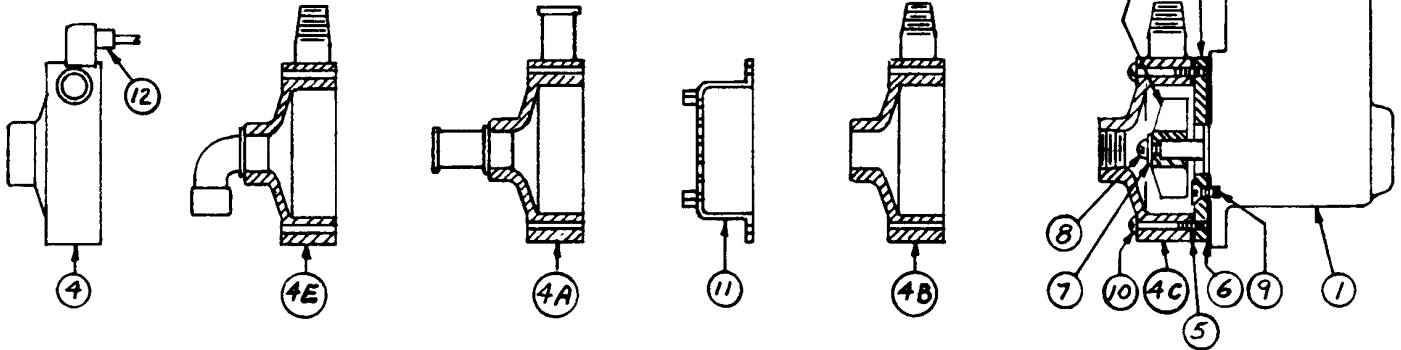
FAX (847) 729-7062

455-052-10 R9

PUMP MATERIALS

All Motors, Cord Sets, and Motor Brackets are encapsulated in epoxy. The Motor Bracket exposed from the epoxy is made of glass-filled Noryl plastic. The Base Plate, Impeller, and Pump Housings on the Series 1, 1-1, 2, and LC-2 pumps are molded out of Nylon plastic. The shaft seal is made out of Viton Rubber and type 302 Stainless Steel. All screws are type 302 Stainless Steel. The Gaskets are Cork and Neoprene mixture on Series 1, 1-1, 2, and LC-2.

REPAIR PARTS LIST



ITEM	DESCRIPTION	PUMP MODEL	PART NO.	QUAN. REQ.
1	MOTOR & SEAL ASSY.	1 & 1-1	450-001-02	1
		2	455-005-02	1
		LC-2	455-001-01	1
2	BASE PLATE	1	445-002-10	1
		1-1 & 2	455-017-10	1
		LC-2	455-017-10	1
3	IMPELLER	1	445-001-10	1
		1-1	450-005-10	1
		2	455-020-10	1
4	PUMP HOUSING	LC-2	455-020-10	1
		1	445-004-10	1
		1-1 & 2	455-006-10	1
5	GASKET PUMP HOUSING	LC-2	455-008-03	1
		1	445-003-10	1
		1-1 & 2	455-014-10	1
6	GASKET BASE PLATE	LC-2	455-014-10	1
		1 & 1-1	455-016-10	1
		2	455-016-10	1
12	SEALS, COOLING TUBE	LC-2	455-016-10	1
		LC-2	125-007-10	2
		LC-2	125-007-10	2

ITEM	DESCRIPTION	PUMP MODEL	PART NO.	QUAN. REQ.
7	LOCK WASHER	1 & 1-2	455-037-10	1
		2	455-037-10	1
		LC-2	455-037-10	1
8	SCREW IMPELLER	1 & 1-1	455-038-10	1
		2	455-038-10	1
		LC-2	455-038-10	1
9	SCREW, BASE PLATE	1 & 1-1	455-036-10	4
		2	455-036-10	4
		LC-2	455-036-10	4
		LC-2	460-007-10	4
10	SCREW, PUMP HOUSING	1 & 1-1	455-039-10	6
		2	455-039-10	6
		LC-2	455-039-10	4
11	SCREEN	1 & 1-1	455-018-10	1
		2	455-018-10	1

Contact factory for other materials / or parts not listed on standard pumps.

Pump Housing 4A, 4B, 4E indicate style of housing when ordering.

LIMITED WARRANTY

March pumps are guaranteed only against defects in workmanship or materials for a period of one year from date of manufacture pumping water. On all other solutions contact factory for written warranty. See Warranty Card for full warranty terms.

MARCH MANUFACTURING, INC.



1819 PICKWICK AVE., GLENVIEW, ILLINOIS 60025-5793

PHONE: (847) 729-5300

FAX (847) 729-7062

455-052-10 R9