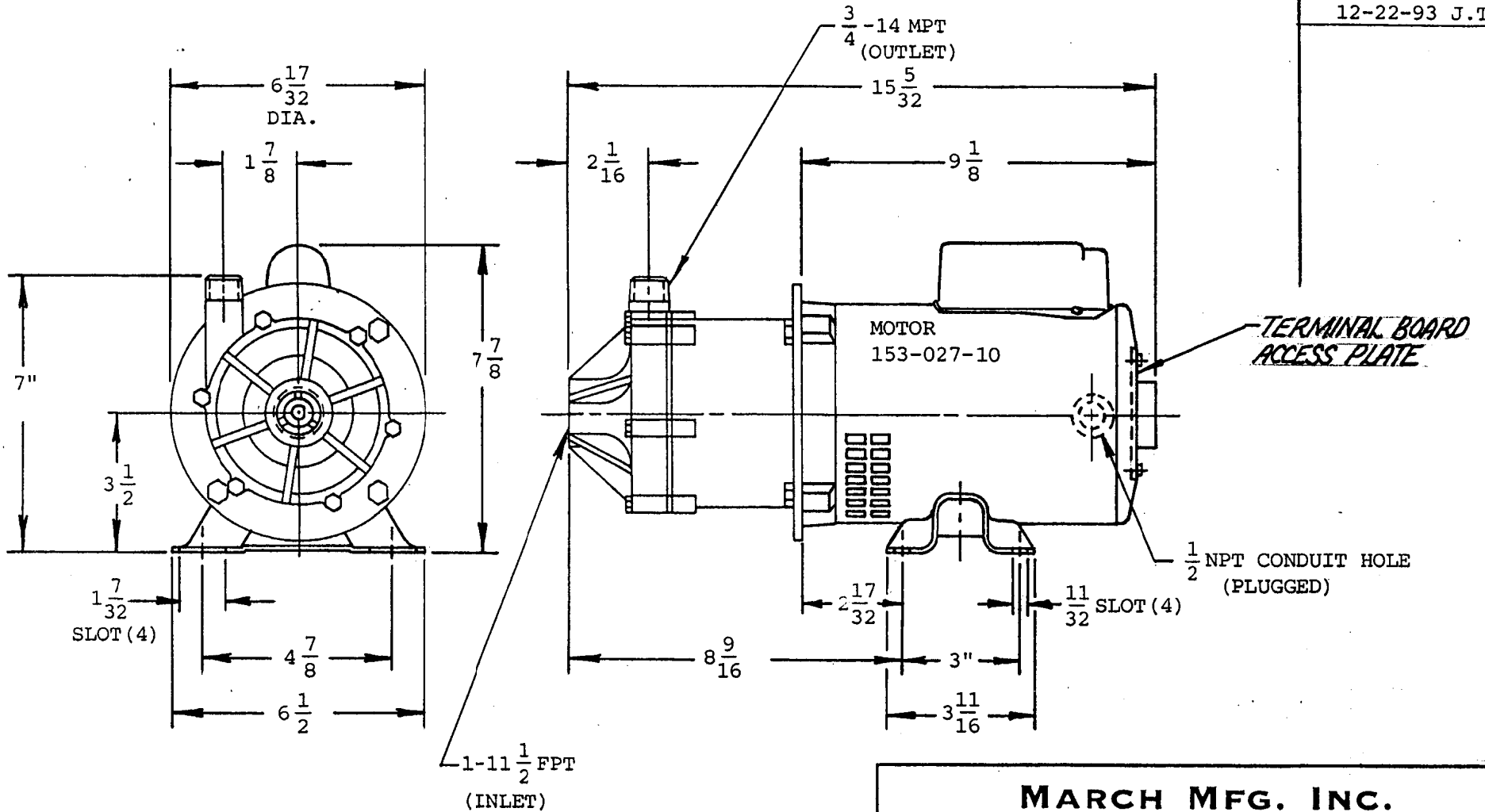


Ⓑ REDRAWN
12-22-93 J.T.



MODEL ASSEMBLY No.
DP-6T-MD-1PH 153-002-01

MARCH MFG. INC.		
1819 PICKWICK AVE.		GLENVIEW, IL.
PART NAME PUMP ASSEMBLY DP-6T-MD -1PH		
MOTOR: 1/2 HP - 1 PHASE - DRIP PROOF - 56 FR		
115/208-230V 60HZ MARATHON	SCALE 1/4"=1"	QTY. REQ. 1
FINISH	DRAWN J.T/H.Z.	DATE 12-22-93
UNLESS OTHERWISE NOTED TOLERANCE ON FRACTIONS $\pm 1/64$ TOLERANCE ON DECIMALS $\pm .005$	CHECKED	
	APPROVED	
PART NUMBER	153 SERIES	

THIS DOCUMENT DISCLOSES SUBJECT MATTER IN WHICH MARCH MFG. INC. HAS PROPRIETARY RIGHTS, NEITHER RECEIPT NOR POSSESSION THEREOF CONFERS OR TRANSFER ANY RIGHT TO REPRODUCE OR DISCLOSE THE DOCUMENT, ANY PART THEREOF, ANY INFORMATION CONTAINED THEREIN, OR ANY PHYSICAL ARTICLE OR DEVICE OR TO PRACTICE ANY METHOD OR PROCESS, EXCEPT BY WRITTEN PERMISSION FROM OR WRITTEN AGREEMENT WITH MARCH MFG. INC.