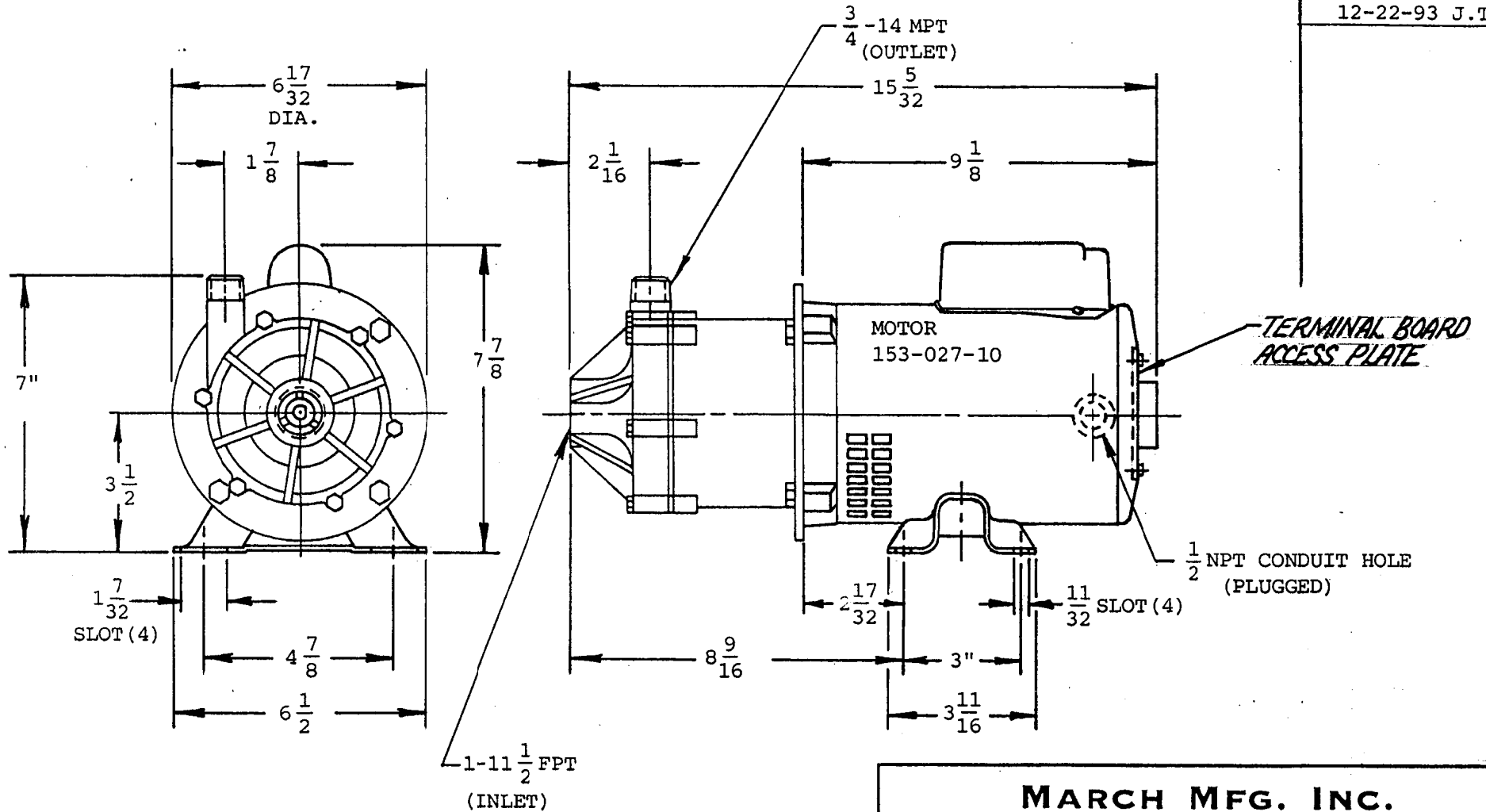


Ⓑ REDRAWN
12-22-93 J.T.



1-11 $\frac{1}{2}$ FPT
(INLET)

MARCH MFG. INC.

1819 PICKWICK AVE.

GLENVIEW, IL.

PART NAME PUMP ASSEMBLY DP-6T-MD -1PH

MOTOR: 1/2 HP - 1 PHASE - DRIP PROOF - 56 FR
115/208-230V 60HZ
MARATHON

SCALE 1/4"=1" QTY. 1
REQ. 1

FINISH DRAWN J.T/H.Z. DATE 12-22-93

UNLESS OTHERWISE NOTED TOLERANCE ON FRACTIONS $\pm 1/64$
TOLERANCE ON DECIMALS $\pm .005$ CHECKED APPROVED

PART NUMBER 153 SERIES

MODEL ASSEMBLY No.
DP-6T-MD-1PH 153-002-01

THIS DOCUMENT DISCLOSES SUBJECT MATTER IN WHICH MARCH MFG. INC. HAS PROPRIETARY RIGHTS, NEITHER RECEIPT NOR POSSESSION THEREOF CONFERS OR TRANSFER ANY RIGHT TO REPRODUCE OR DISCLOSE THE DOCUMENT, ANY PART THEREOF, ANY INFORMATION CONTAINED THEREIN, OR ANY PHYSICAL ARTICLE OR DEVICE OR TO PRACTICE ANY METHOD OR PROCESS, EXCEPT BY WRITTEN PERMISSION FROM OR WRITTEN AGREEMENT WITH MARCH MFG. INC.