



# MARCH PUMPS

1819 PICKWICK AVE., GLENVIEW, IL 60026-1306, U.S.A  
 PHONE: (847) 729-5300 - FAX: (847) 729-7062  
 WWW.MARCHPUMP.COM

## Pumps with Air Motors

### MODEL ABBREVIATIONS:

A=Smooth Inlet/Outlet, C=Threaded Inlet/Outlet  
 K=Kynar, S=Stainless, MD=Magnetic Drive, AM=Air Motor

### CONSTRUCTION & SERVICING:

The pumps listed below are magnetic drive centrifugal pumps. Hence, there is no rotating seal to wear and allow the liquid being pumped to leak out. All pumps are serviceable with the use of a screwdriver or wrench. The only moving part other than the motor is the Impeller Assembly. This assembly rotates on a stationary shaft and up against a thrust washer. These are the only parts that can wear, and may need to be replaced. See the Repair Parts List for replacement parts.

### OPERATION:

Pumps must be installed with a positive flooded suction as they are not self-priming and will not produce a suction lift. March Pumps utilize the liquid being pumped to lubricate the Impeller Assembly rotating on the stationary shaft, and therefore they should not run dry. A carbon bushing on the 4 & 5 series will enable dry running protection. The direction of the motor rotation should be clockwise looking into the inlet of the pump. A trimmed impeller may be necessary when pumping a liquid with a specific gravity or viscosity greater than water as well in cases of high liquid temperature.

### AIR MOTOR INSTALLATION:

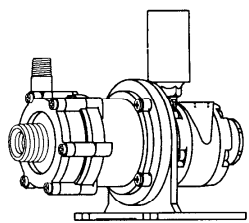
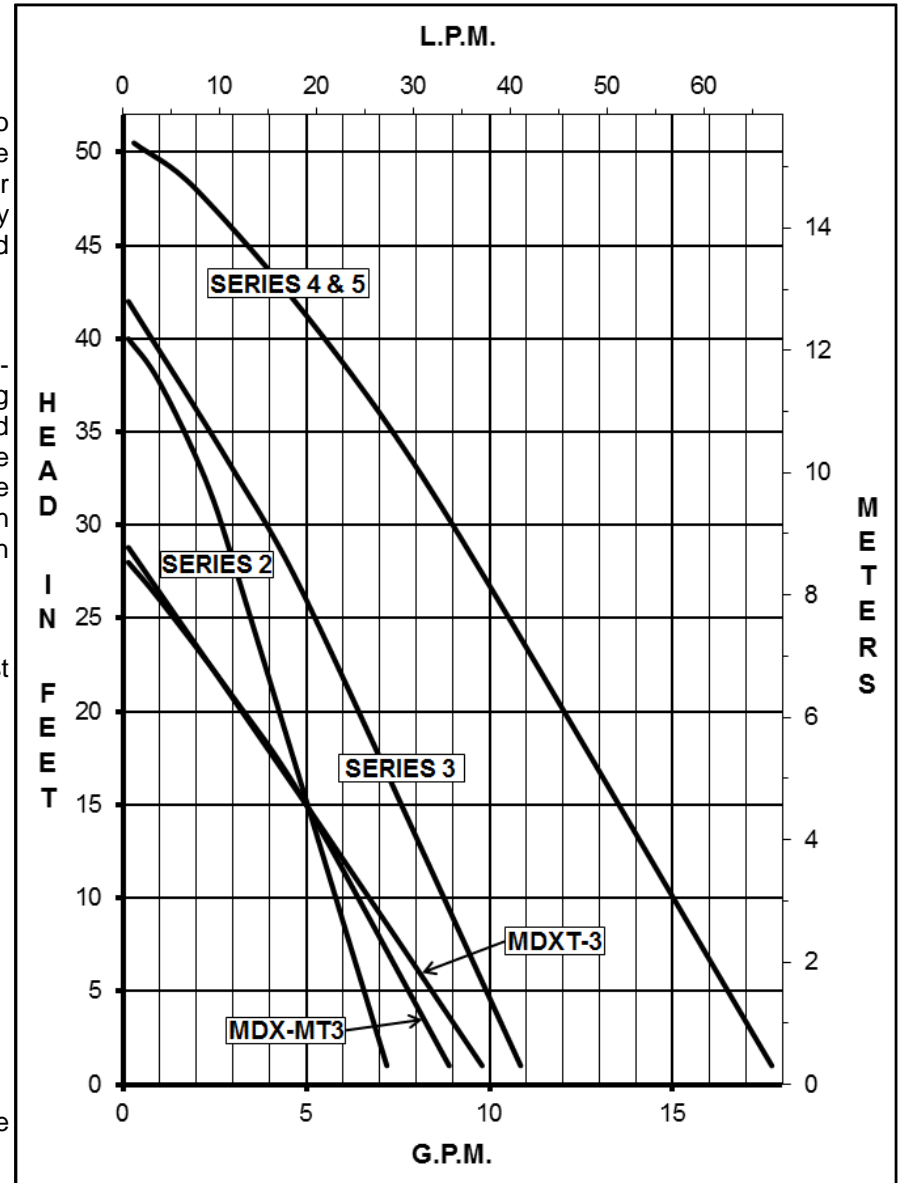
Install a moisture trap, filter, and an automatic airline lubricator in the air line just ahead of the air motor. Use detergent SAE #10 automotive engine oil.

### MATERIAL IN CONTACT WITH SOLUTION:

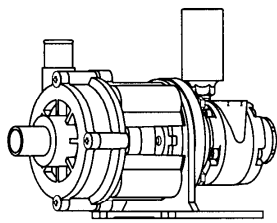
BC-2CP-MD: Polypropylene, Ceramic, Viton  
 BC-3CP-MD & BC-3AP-MD: Polypropylene, Ceramic, Viton  
 MDXT-3: Polypropylene, Ceramic, Buna N, Ceramic Magnet  
 MDX-MT3: Ryton, Ceramic, Viton  
 MDK-MT3: Kynar/Carbon Filled, Ceramic, Viton  
 BC-4C-MD & BC-4A-MD: Polypropylene, Ceramic, Viton  
 TE-5C-MD: Polypropylene, Ceramic, Viton  
 TE-5K-MD: Kynar/Carbon Filled, Viton, Ceramic  
 TE-5S-MD: 316 Stainless Steel, Viton, Ceramic, Carbon

### NOTES:

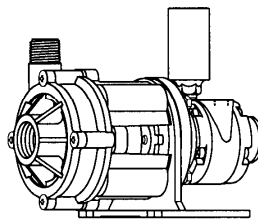
All specifications & data are based on pumping water & are intended as a guideline only. Specifications may vary with different motors.



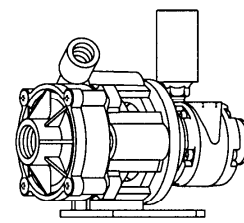
BC-2CP-MD-AM



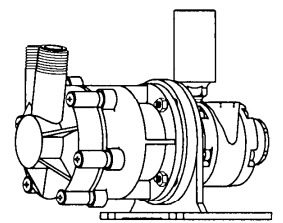
BC-3AP-MD-AM



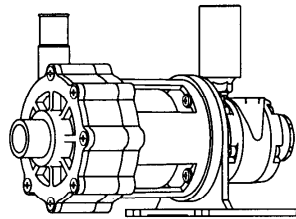
BC-3CP-MD-AM



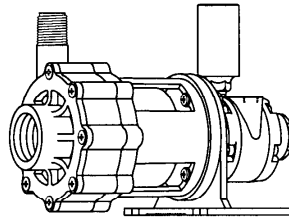
MDXT-3-AM



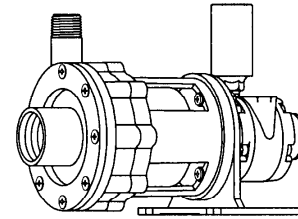
MDX-MT3-AM  
MDK-MT3-AM



BC-4A-MD-AM



BC-4C-MD-AM  
TE-5C-MD-AM, TE-5K-MD-AM



TE-5S-MD-AM

### LIMITED WARRANTY:

March pumps are guaranteed only against defects in workmanship or materials for a period of one year from date of manufacture pumping water. For the complete warranty and to register online go to [www.marchpump.com/warranty-registration](http://www.marchpump.com/warranty-registration)

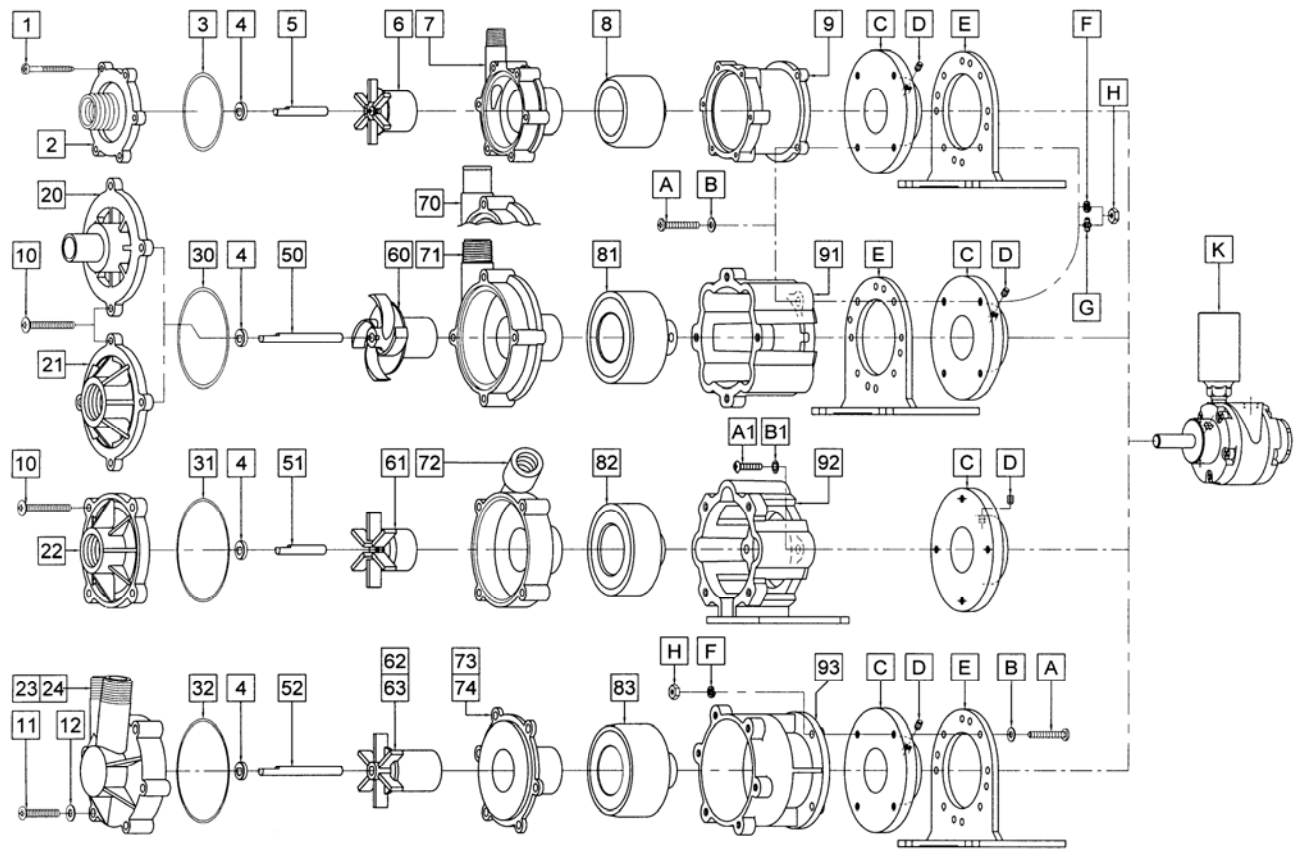
SPECIFICATIONS		BC		MDXT-3-AM	MDX-MT3-AM & MDK-MT3-AM	BC		TE				
		2CP-MD-AM	3CP-MD-AM			3AP-MD-AM	4C-MD-AM	4A-MD-AM	5C-MD-AM	5K-MD-AM	5S-MD-AM	
Max Flow	lpm	27.2	39.7		37.8	34.0	68.1		68.1			
	gpm	7.2	10.5		10	9	18		18			
Max Head	m	12.1	12.8		8.8	8.5	15.2		15.2			
	ft (psi)	40 (17.3)	42 (18.2)		29 (12.5)	28 (12.1)	50 (21.6)		50 (21.6)			
Inlet		3/8" FPT & 3/4" MPT		3/4" FPT	3/4" OD	1/2" FPT	1/2" MPT	1" FPT	1" OD	1" FPT	1" FPT	1" FPT
	Outlet	1/4" MPT	1/2" MPT	3/4" OD	3/8" FPT	1/2" MPT	1/2" MPT	3/4" OD	1/2" MPT	1/2" MPT	1/2" MPT	1/2" MPT
Max Internal Pressure	psi	50	50		50	75	50		50	75	200	
	bar	3.4	3.4		3.4	5	3.4		3.4	5	13	
Max Liquid Temperature	°F	190	190		190	200	190		190	200	250	
	°C	87	87		87	93	87		87	93	121	
Packed Weight	kg/lbs	1.8/4	2/4.5		1.8/4	1.8/4	2.3/5		2.3/5		3/7.5	
Motor Type		Air Motor		Air Motor	Air Motor	Air Motor		Air Motor				
Air Connection		1/8 NPT		1/8 NPT	1/8 NPT	1/8 NPT		1/8 NPT				
HP (Kw)		1/8 (0.093)		1/8 (0.093)	1/8 (0.093)	1/8 (0.093)		1/8 (0.093)				
Max Air Pressure	psi	23	29		21	21	65		60			
	bar	1.5	2		1.4	1.4	4.4		4.1			
Max CFM Required		4		3	3	8		7				
Overall Pump Dimensions in Inches / cm	Height	5.72 / 14.5		5.66 / 14.3	5.72 / 14.5	5.72 / 14.5		5.72 / 14.5				
	Width	4.5 / 11.4		3.88 / 9.8	4.5 / 11.4	4.5 / 7.33		4.5 / 7.33				
	Length	7 / 17.7		6.96 / 17.6	7.42 / 18.8	8.28 / 21	8.84 / 22.4	8.28 / 21		8.59 / 21.8		

**BC-2CP-MD-AM** →

**BC-3CP-MD-AM** →  
**BC-3AP-MD-AM** →

**MDXT-3-AM** →

**MDX-MT3-AM** →  
**MDK-MT3-AM** →



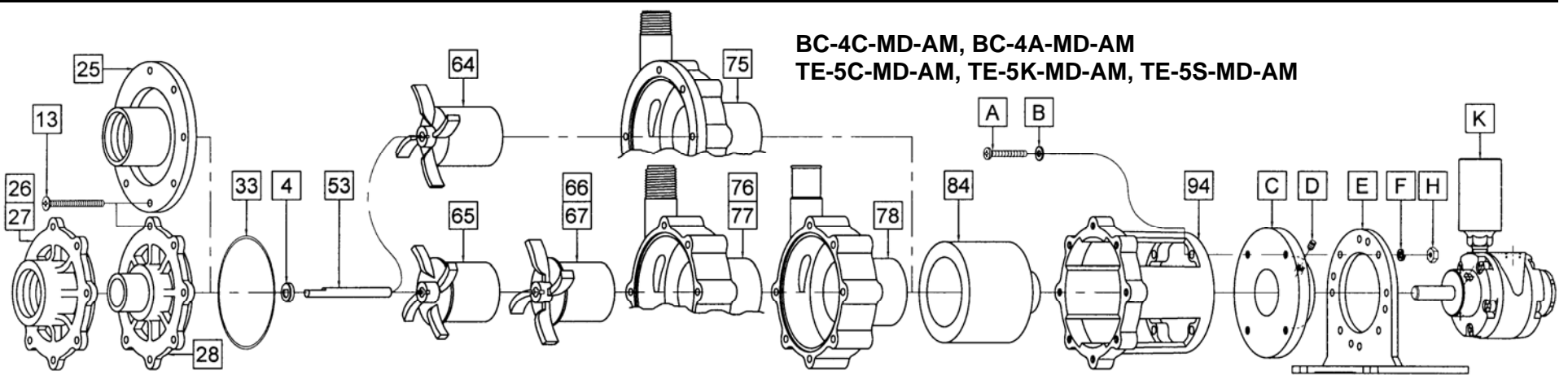
**REPAIR PARTS LIST**

ITEM	DESCRIPTION	MATERIAL	SIZE (Inches)	QTY	PART #				ITEM	DESCRIPTION	MATERIAL	SIZE (Inches)	QTY	PART #	MDXT-3-AM	MDX-MT3-AM	MDK-MT3-AM
						BC-2CP-MD-AM	BC-3CP-MD-AM	BC-3AP-MD-AM									
1	Screw Self Tapping	Stainless	#7-19 x 1-7/16 Lg.	6	0115-0062-1000	S			10	Screw	Stainless	#10-32 x 1-1/2 Lg.	4	0823-0008-1000	S		
2	Cover	Polypro.	3/8 FPT x 3/4 MPT Inlet	1	0125-0056-1000	S			22	Cover	Polypropylene	1/2 FPT Inlet	1	0135-0172-1000	S		
3	"O" Ring	Viton	3/32 CS x 2-3/16 OD	1	0125-0065-1000	S			31	"O" Ring	Buna N	1/16 CS x 2-7/8 OD	1	0135-0039-1000	S		
4	Thrust Washer	Ceramic		1	0130-0028-1000	S	S	S	4	Thrust Washer	Ceramic		1	0130-0028-1000	S	S	S
5	Shaft	Ceramic	1/4 OD x 1.593 Lg.	1	0125-0061-1000	S			51	Shaft	Ceramic		1	0809-0160-1000	S		
6	Impeller Encapsulated	Polypro.		1	0125-0087-0200	S			61	Impeller	Polypro/Ceramic Mag		1	0135-0043-0100	S		
7	Rear Housing	Polypro.	1/4 MPT Outlet	1	0125-0058-1000	S			72	Rear Housing	Polypropylene	3/8 FPT Outlet	1	0135-0171-1000	S		
8	Drive Magnet			1	0125-0092-0000	S			82	Drive Magnet			1	0135-0126-0200	S		
9	Motor Bracket			1	0125-0069-1000	S			92	Motor Connecting Base			1	0135-0168-0100	S		
10	Screw	Stainless	#10-32 x 1-1/2 Lg.	4	0823-0008-1000				11	Screw	Stainless	#10-32 x 1-1/8 Lg.	6	0135-0181-1000		S	S
20	Cover	Polypro.	3/4 OD Inlet	1	0130-0064-1000	O	S		12	Washer	Stainless	#10	6	0150-0051-1000	S	S	
21	Cover	Polypro.	3/4 FPT Inlet	1	0130-0021-1000	S	O		23	Front Housing	Ryton	1/2 MPT	1	0135-0088-1000		S	
30	"O" Ring	Viton	3/32 CS x 2-13/16 OD	1	0130-0033-1000	S	S		24	Front Housing	Kynar	1/2 MPT	1	0135-0152-1000		S	
50	Shaft	Ceramic	1/4 OD x 2.5 Lg.	1	0130-0024-1000	S	S		32	"O" Ring	Viton	1/16 CS x 2-7/8 OD	1	0135-0046-1000		S	S
60	Impeller Encapsulated	Polypro.		1	0130-0069-0200	S	S		52	Shaft	Ceramic	1/4 OD x 2.5 Lg.	1	0130-0024-1000		S	S
70	Rear Housing	Polypro.	3/4 OD Outlet	1	0130-0102-1000	O	S		62	Impeller Encapsulated	Ryton		1	0135-0113-0200		S	
71	Rear Housing	Polypro.	1/2 MPT Outlet	1	0130-0018-1000	S	O		63	Impeller Encapsulated	Kynar		1	0135-0154-0200		S	
81	Drive Magnet			1	0130-0043-0300	S	S		73	Rear Housing	Ryton		1	0135-0087-1000		S	
91	Motor Bracket			1	0130-0066-0100	S	S		74	Rear Housing	Kynar		1	0135-0153-1000		S	
A	Screw		#8-32 x 1-1/8 Lg.	4	0115-0023-1000	S	S	S	83	Drive Magnet			1	0130-0043-0300		S	S
B	Washer		#8	4	0858-0004-1000	S	S	S	93	Motor Bracket			1	0135-0135-0100		S	S
C	Connecting Bracket			1	0986-0001-0100	S	S	S	A	Screw		#8-32 x 1-1/8 Lg.	4	0115-0023-1000		S	S
D	Set Screw		#8-32	2	0210-0038-1000	S	S	S	B	Washer		#8	4	0858-0004-1000		S	S
E	Base			1	0125-0106-1000	S	S	S	A1	Screw		#8-32 x 3/4 Lg.	4	0210-0036-1000		S	
F	Split Lock Washer		#8	4	0858-0003-1000	S			B1	Washer		#8 Internal Tooth	4	0620-0010-1000		S	
G	Lock Washer		#8 External Tooth	4	0140-0014-1000		S	S	C	Connecting Bracket			1	0986-0001-0100		S	S
H	Nut		#8	4	0410-0039-1000	S	S	S	D	Set Screw		#8-32	2	0210-0038-1000		S	S
K	Air Motor			1	0986-0002-1000	S	S	S	E	Base			1	0125-0106-1000		S	S
									F	Split Lock Washer		#8	4	0858-0003-1000		S	S
									H	Nut		#8	4	0410-0039-1000		S	S
									K	Air Motor			1	0986-0002-1000		S	S

NOTE: Contact Factory for other materials and/or parts not listed.

Legend: S = Standard, O = Optional

**BC-4C-MD-AM, BC-4A-MD-AM  
TE-5C-MD-AM, TE-5K-MD-AM, TE-5S-MD-AM**



**REPAIR PARTS LIST**

ITEM	DESCRIPTION	MATERIAL	SIZE (Inches)	QTY	PART #	BC-4C-MD-AM	BC-4A-MD-AM	TE-5C-MD-AM	TE-5K-MD-AM	TE-5S-MD-AM
13	Screw	Stainless	#8-32 x 1-3/4 Lg.	7	0150-0021-1000	S	S	S	S	S
25	Cover	316 Stainless	1 FPT Inlet	1	0150-0111-0000			S		S
26	Cover	Polypropylene	1 FPT Inlet	1	0150-0032-1000	S		S		
27	Cover	Kynar	1 FPT Inlet	1	0150-0124-1000			S		
28	Cover	Polypropylene	1 OD Inlet	1	0150-0150-1000		S	O		
33	"O" Ring	Viton	1/16 CS x 3 OD	1	0135-0023-1000	S	S	S	S	S
4	Thrust Washer	Ceramic		1	0130-0028-1000	S	S	S	S	S
53	Shaft	Ceramic	1/4 OD x 2.5 Lg.	1	0130-0024-1000	S	S	S	S	S
64	Impeller w/Carbon Bushing	Stainless/Carbon		1	0150-0114-0400					S
65	Impeller Encapsulated	Polypropylene		1	0145-0033-0200	S	S			
66	Impeller Encapsulated	Polypropylene		1	0150-0098-0200			S		
67	Impeller Encapsulated	Kynar		1	0150-0125-0200				S	
75	Rear Housing	316 Stainless	1/2 MPT Outlet	1	0150-0110-0000					S
76	Rear Housing w/Thrust Washer	Polypropylene/Ceramic	1/2 MPT Outlet	1	0150-0031-0100	S		S		
77	Rear Housing w/Thrust Washer	Kynar/Ceramic	1/2 MPT Outlet	1	0150-0123-0100				S	
78	Rear Housing w/Thrust Washer	Polypropylene/Ceramic	3/4 OD Outlet	1	0150-0159-0100		S	O		
84	Drive Magnet			1	0151-0061-0200	S	S	S	S	S
94	Motor Bracket			1	0145-0010-1000	S	S	S	S	S
A	Screw		#8-32 x 1-1/8 Lg.	4	0115-0023-1000	S	S	S	S	S
B	Washer		#8	4	0858-0004-1000	S	S	S	S	S
C	Connecting Bracket			1	0986-0001-0100	S	S	S	S	S
D	Set Screw		#8-32	2	0210-0038-1000	S	S	S	S	S
E	Base			1	0125-0106-1000	S	S	S	S	S
F	Split Lock Washer		#8	4	0858-0003-1000	S	S	S	S	S
H	Nut		#8	4	0410-0039-1000	S	S	S	S	S
K	Air Motor			1	0986-0002-1000	S	S	S	S	S

NOTE: Contact Factory for other materials and/or parts not listed.

Legend: S = Standard, O = Optional

0750-0979-1000 R2