



MARCH PUMPS

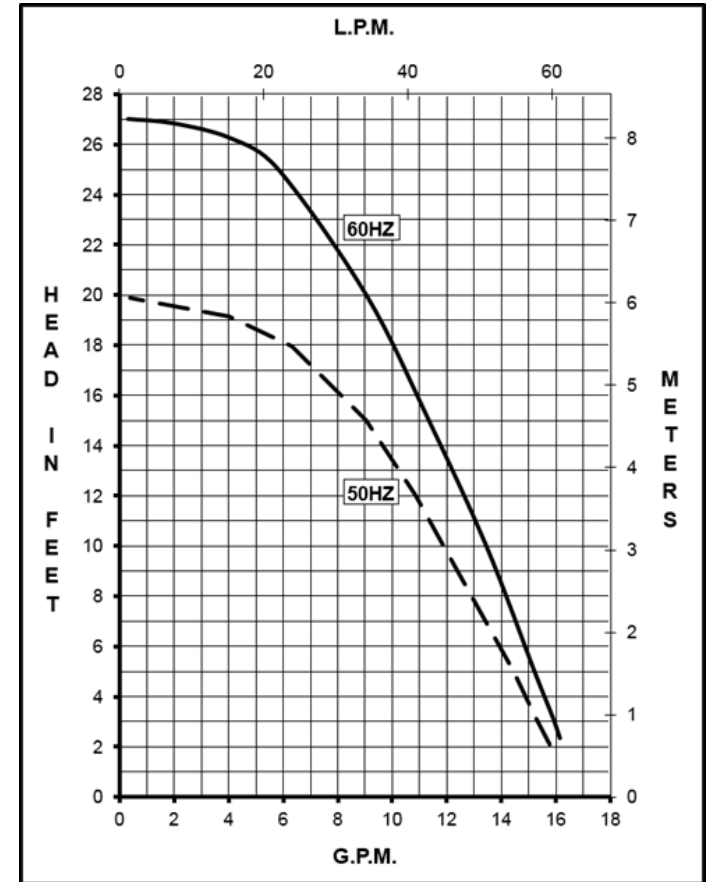
1819 PICKWICK AVE., GLENVIEW, IL 60026-1306, U.S.A
 PHONE: (847) 729-5300 - FAX: (847) 729-7062
 WWW.MARCHPUMP.COM

DESCRIPTION: [Series 5 are centrifugal magnetic drive pumps](#), eliminating the need for a shaft seal. All are serviceable with a screwdriver.

OPERATION: Pumps are not self-priming, lack a suction lift, and thus require a **flooded suction**. Pumps **cannot be run dry** because the impeller requires the liquid being pumped for lubrication. For liquids with a specific gravity greater than water, have a higher viscosity, or for elevated temperatures, a trimmed impeller may be necessary. For application assistance, contact March Pump.

ELECTRICAL: The AC-5M-MD has a 115V or 230 Volt Motor and both have a 3 foot cord. Motors have U.L. listed motors, which are rated for continuous duty. The AC-5M-MD is Ignition Protected per SAE J1171 and ISO 8846.

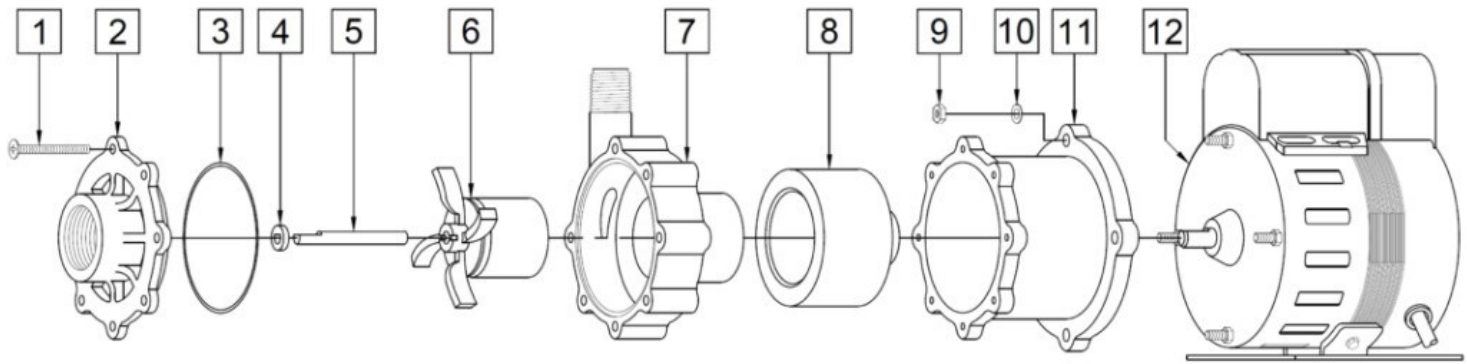
AC-5M-MD



Specifications		AC-5M-MD
Product	115V	0150-0251-0100
	230V	0150-0252-0100
Inlet-Outlet		1" FPT - 1/2" MPT
Max Internal Pressure		50PSI (344 kPa)
Max Liquid Temperature		190F (87C)

Model	60Hz												50Hz											
	Max Flow		Max Head			Electrical							Max Flow		Max Head			Electrical						
	GPM	LPM	FT	PSI	M	Ph	V	A	HP	kW	RPM	GPM	LPM	Feet	PSI	M	Ph	V	A	HP	kW	RPM		
AC-5M-MD	17	64.4	27	11.7	8.2	1	115 or 230	2.1 or 1.0	1/8	0.093	3450	15.9	60	19.7	8.5	6	1	115 or 230	2.1 or 1.0	1/8	0.093	2850		

All specifications & data are based on pumping water & are intended as a guideline only. Specifications may vary with different motors.



AC-5M-MD

Item	Part Number	QTY REQ	Description
1	0150-0021-1000	7	#8-32 x 1-3/4 Lg. (Stainless)
2	0150-0248-1000	1	Cover with 1" FPT Inlet (Noryl)
3	0750-0987-1000	1	0.078 CS x 2.834 ID O Ring (Buna N)
4	0130-0028-1000	1	Thrust Washer (Ceramic)
5	0130-0176-1000	1	3 Flat Shaft (316 Stainless steel)
6	0150-0030-0700	1	Impeller with Carbon Bushing and Ceramic Magnet (Polypropylene, Carbon, Ceramic Magnet)
7	0150-0031-0100	1	Rear Housing with 1/2" MPT Outlet and Ceramic Thrust Washer (Polypropylene and Ceramic)
8	0150-0081-0100	1	Drive Magnet
9	0625-0024-1000	4	#10-32 Hex Nut (Stainless)
10	0802-0006-1000	4	#10 Washer (Stainless)
11	0150-0070-0100	1	Motor Bracket (Plastic)
12	0150-0027-1000	1	Motor, 115V, 50/60Hz
12	0150-0040-1000	1	Motor, 230V, 50/60Hz

NOTE: Contact Factory for other materials and/or parts not listed.
 Special voltage motors are available upon special order.

Materials in contact with the liquid: : Polypropylene, Noryl, Ceramic, Buna N, Carbon, 16 Stainless Steel, and Ceramic Magnet

LIMITED WARRANTY: March pumps are guaranteed only against defects in workmanship or materials for a period of one year from date of manufacture pumping water. For the complete warranty and to register online go to www.marchpump.com/warranty-registration

For the General Installation Manual, see this link <https://www.marchpump.com/wp-content/uploads/2019/07/march-pump-general-installation-guide-0750-040.pdf>
 Or Scan QR Code



0150-0262-1000