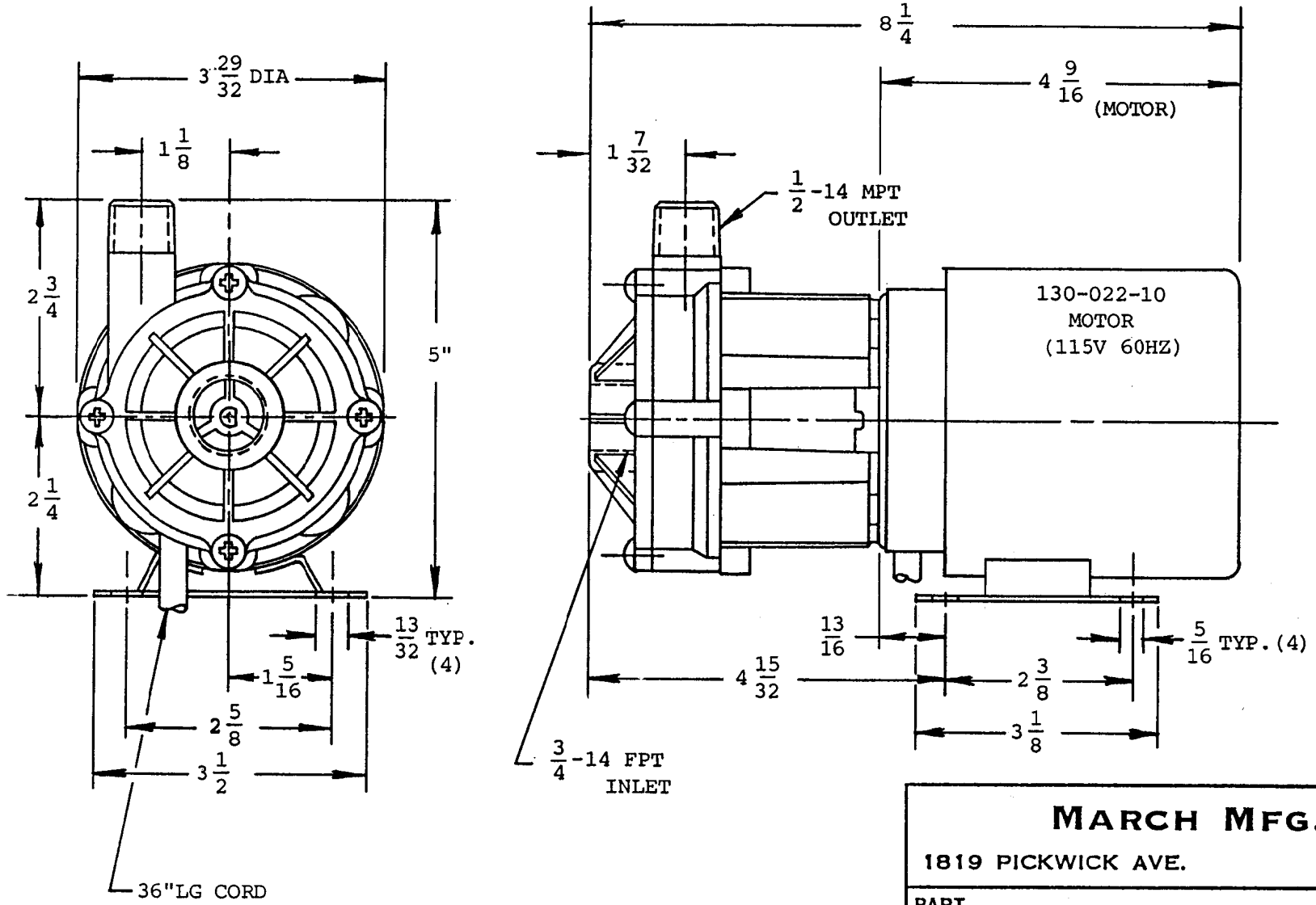


Ⓔ REDRAWN
6-14-93 J.T.



QTY. USED ON ASSEM.

ASSEMBLY No. MODEL
130-018-01 AC-3CP-MD (115V)

MARCH MFG. INC.
1819 PICKWICK AVE. GLENVIEW, IL

PART NAME PUMP ASSEMBLY (AC-3CP-MD) 115V
MOTOR: FASCO

HEAT TRMT.	SCALE 1/2"=1"	QTY. REQ. 1
FINISH	DRAWN JT/HZ	DATE 6-14-93
UNLESS OTHERWISE NOTED TOLERANCE ON FRACTIONS ± TOLERANCE ON DECIMALS ±	CHECKED	
	APPROVED	

PART NUMBER 130 SERIES

THIS DOCUMENT DISCLOSES SUBJECT MATTER IN WHICH MARCH MFG. INC. HAS PROPRIETARY RIGHTS. NEITHER RECEIPT NOR POSSESSION THEREOF CONFERS OR TRANSFER ANY RIGHT TO REPRODUCE OR DISCLOSE THE DOCUMENT, ANY PART THEREOF, ANY INFORMATION CONTAINED THEREIN, OR ANY PHYSICAL ARTICLE OR DEVICE OR TO PRACTICE ANY METHOD OR PROCESS, EXCEPT BY WRITTEN PERMISSION FROM OR WRITTEN AGREEMENT WITH MARCH MFG. INC.