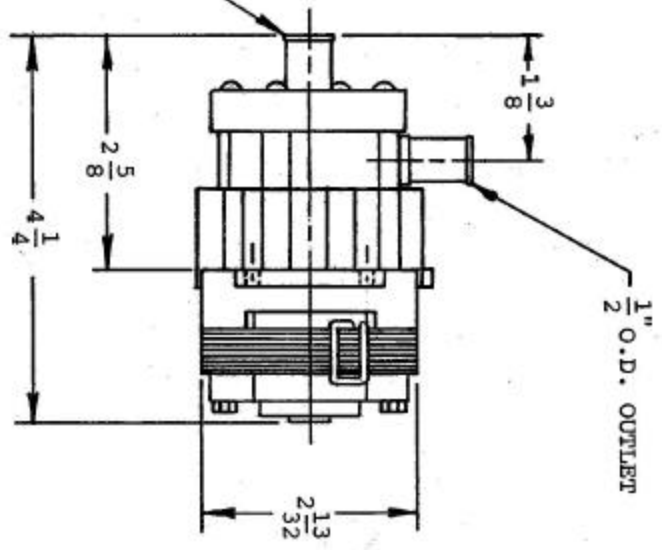
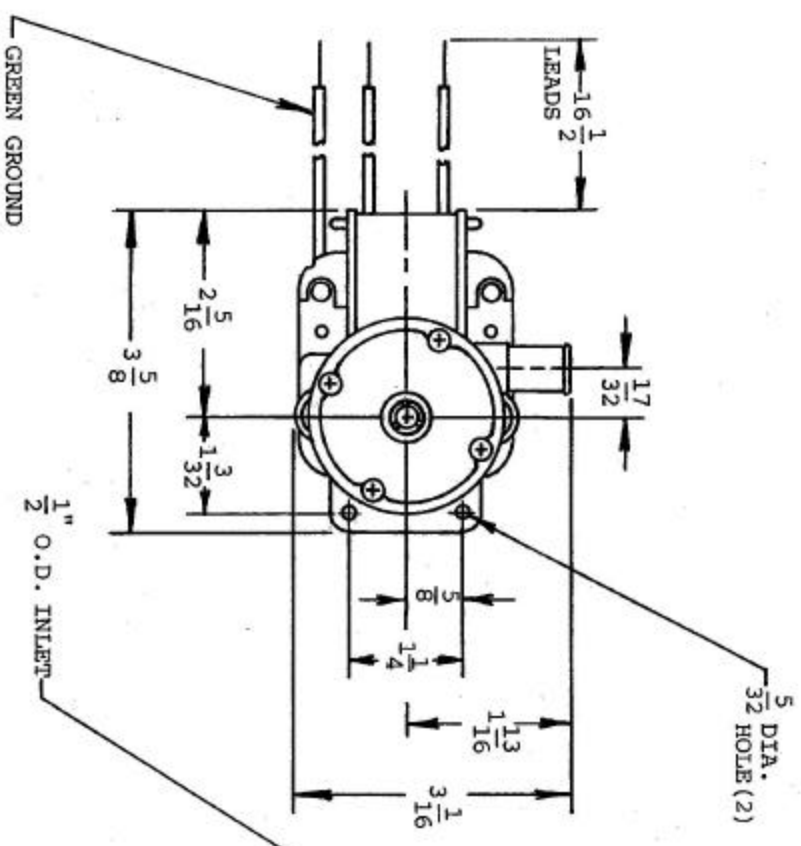


A REDRAWN.
8-16-94 J.T.



QTY. USED ON ASSEM.

MARCH MFG. INC.
1819 PICKWICK AVE.
GLENVIEW, IL.

PART NAME PUMP ASSEMBLY AC-1A-MD-1/2

MATERIAL

HEAT TRMT. SCALE 1/2"=1" QTY. 1

FINISH DRAWN JT/HZ DATE 8-16-94

UNLESS OTHERWISE NOTED TOLERANCE ON FRACTIONS ± 1/64 TOLERANCE ON DECIMALS ± .005

CHECKED APPROVED

MODEL AC-1A-MD-1/2 ASSEMBLY NO. 115-064-01

115V 50/60HZ AC-1A-MD-1/2 115-064-01
230V 50/60HZ AC-1A-MD-1/2 115-064-02

THIS DOCUMENT DISCLOSED SUBJECT MATTER IN WHICH MARCH MFG. INC. HAS PROPRIETARY RIGHTS, NEITHER RECEIPT NOR POSSESSION THEREOF CONFERMS OR TRANSFERS ANY RIGHT TO REPRODUCE OR DISCLOSE THE DOCUMENT, ANY PART THEREOF, ANY INFORMATION CONTAINED THEREIN, OR ANY PHYSICAL ARTICLE OR DEVICE OR TO PRACTICE ANY METHOD OR PROCESS, EXCEPT BY WRITTEN PERMISSION FROM OR WRITTEN AGREEMENT WITH MARCH MFG. INC.