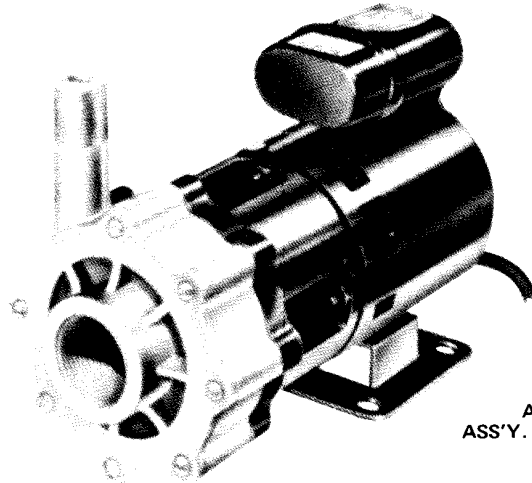


MARCH

INSTRUCTIONS AND REPAIR PARTS

FOR MODEL AC & BC-4C-MD PUMP



MODEL
AC-4C-MD
ASS'Y. NO. 145-010-01

PUMP CONSTRUCTION & SERVICING

March "Orbital" Magnetic Drive Pumps eliminate the conventional shaft seals found in most pumps. This means that there is no rotating seal to wear and allow the liquid being pumped to leak out. The pumping action may eventually fail, however the liquid can never leak out. The Model AC-4C-MD and AC-5C-MD have open air fan cooled, moisture protected motors, allowing the pumps to be run continuously. Totally enclosed blast cooled motors are used on the BC pumps.

All pumps can be serviced with the use of screwdriver. The only moving part in the pump other than the motor, is the impeller-magnet assembly. This assembly rotates on a stationary spindle and up against a thrust washer. These are the only parts that can wear, and may need to be replaced. See the Repair Parts List for replacement parts.

ELECTRICAL CONNECTIONS AND RUNNING DRY

All models are standard in 115 volt, 50/60 cycle, 1 phase, A.C. The motors are thermal overload protected, and the motor and overload combinations are U.L. and C.S.A. listed. All cord sets are U.L. approved 18/3 wire, SJO or SJT cords. The AC & BC style pumps have 3 foot long cords with no plug attached.

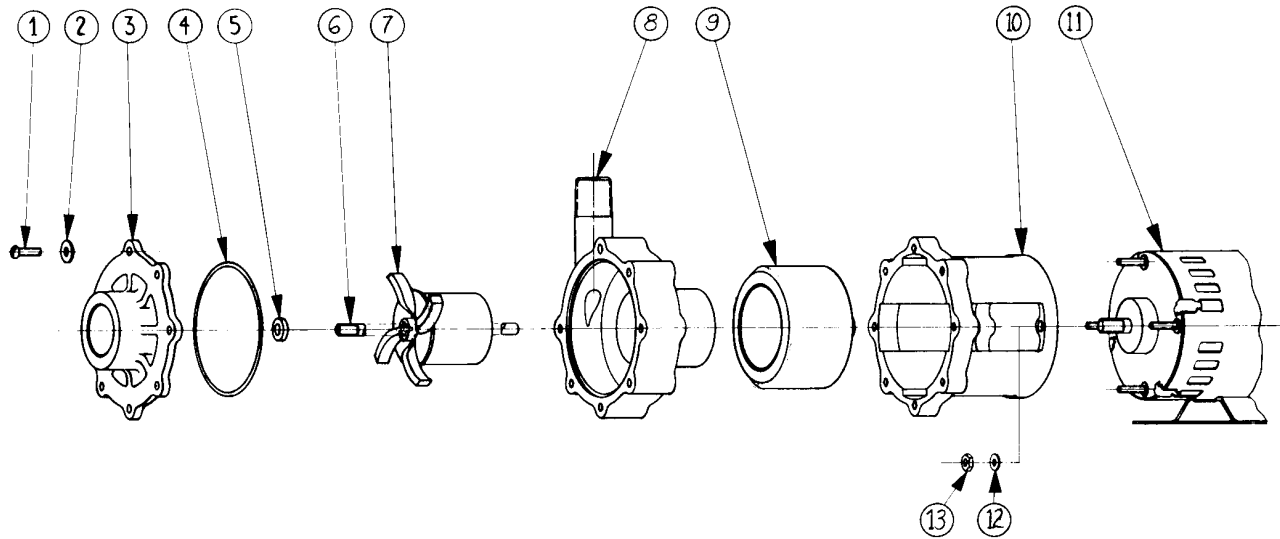
We rely on the liquid being pumped to lubricate the impeller-magnet assembly spinning on the stationary spindle. The pump is not to run dry as the plastic may "freeze" onto the spindle. Bronze, Teflon, and Carbon bushings are available if needed. Contact the factory for special applications.

PUMP MATERIALS

All screws are type 18-8 stainless.
The "O" ring gasket is Buna-N rubber on AC and Viton on BC.
All stationary spindles are ceramic.
All wetted plastic parts are Glass Filled Polypropylene Plastic. Motor Bracket is Glass Filled Noryl.
The impeller magnet is encapsulated in Polypro on the BC pump.
The thrust washers are ceramic.
Other materials are available, contact the factory for other than standard parts.

RATINGS AND SPECIFICATIONS

MODEL NO.	CONNECTORS		ELECTRICAL			G.P.H. AT LISTED HEAD						PSI GAGE	DIMENSIONS			PACK WT.
	INLET	OUTLET	HP	WATTS	AMPS	1 FT.	3 FT.	6 FT.	12 FT.	18 FT.	24 FT.		HT.	WD.	LG.	
AC-4C-MD	1" FPT	1/2" MPT	1/12	150	1.3	840	740	660	495	250	0	9.3	5-5/8"	5-1/8"	10	10 LBS.
BC-4C-MD		13/16" O.D.	1/10	200	1.65										10 1/8	



MODEL AC & BC-4C-MD REPAIR PARTS LIST

ITEM	PART NUMBER	DESCRIPTION	QTY. REQ'D.
1	150-021-10	#8 x 1 3/4 Long Screws	7
2	135-016-10	#8 Washer	7
3	150-032-10	Cover	1
4	135-007-10	"O" Ring, Buna-N, Standard on AC	1
4A	135-023-10	"O" Ring, Viton, Standard on BC	1
5	130-028-10	Ceramic Thrust Washer	1
6	130-024-10	Spindle	1
7	145-011-01	Impeller-Magnet Ass'y. Bare Magnet on AC	1
7A	145-033-02	Impeller-Magnet Ass'y. Encapsulated Magnet on BC	1
8	150-031-10	Pump Housing	1
9	145-027-01	Drive Magnet Ass'y.	1
10	145-010-10	Motor Bracket	1
11	145-012-10	Motor, 115 Volt on AC	1
11A	145-035-10	Motor, 115 Volt on BC	1
12	858-004-10	Bracket Washer	8
13	410-039-10	Bracket Nuts or 618-027-10 Rd. Hd. Screws	4

PRICES SUBJECT TO CHANGE WITHOUT NOTICE

LIMITED WARRANTY

March Pumps are warranted to the original user against defects in workmanship and materials under normal use for a period of 12 months when used on room temperature water. See complete March limited warranty statement on card F4109R, which is packed with this pump.

MARCH MANUFACTURING, INC.

1819 PICKWICK AVE., GLENVIEW, ILLINOIS 60025-5793, U.S.A.
PHONE: (847) 729-5300 • FAX: (847) 729-7062