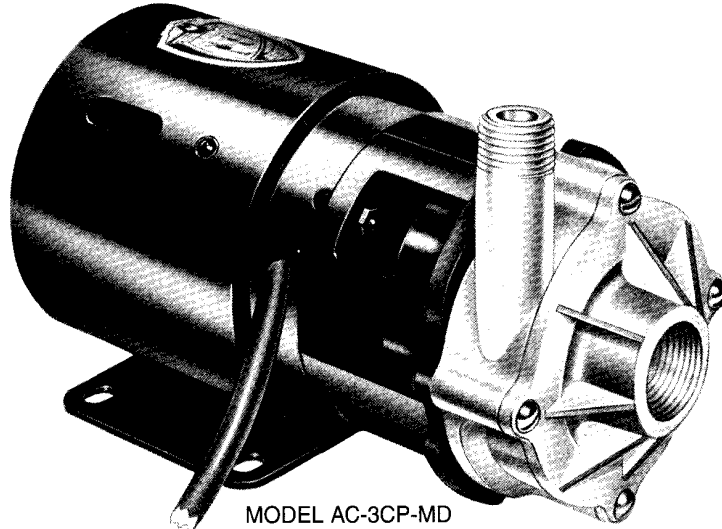


MARCH

INSTRUCTIONS AND REPAIR PARTS FOR MODEL AC & BC-3CP-MD



MODEL AC-3CP-MD
PART NO. 130-018-01

PUMP CONSTRUCTION & SERVICING

March "Orbital" Magnetic Drive Pumps eliminate the conventional shaft seals found in most pumps. This means that there is no rotating seal to wear and allow the liquid being pumped to leak out. The pumping action may eventually fail, however the liquid can never leak out. The Model AC & BC-3C-MD have blast cooled, moisture protected motors, with sealed ball bearings, thermal overload protected, allowing the pumps to be run continuously. Also can be supplied with a super cool capacitor motor for applications where heat is an important factor.

All pumps can be serviced with the use of screwdriver. The only moving part in the pump other than the motor, is the impeller-magnet assembly. This assembly rotates on a stationary spindle and up against a thrust washer. These are the only parts that can wear, and may need to be replaced. See the Repair Parts List for replacement parts.

ELECTRICAL CONNECTIONS AND RUNNING DRY

All models are standard in 115 volt, 50/60 cycle, 1 phase, A.C. The motors are thermal overload pro-

TECTED, and the motor and overload combinations are U.L. and C.S.A. listed. All cord sets are U.L. approved 18/3 wire, SJO or SJT cords. The AC style pumps have 3 foot long cords with no plug attached.

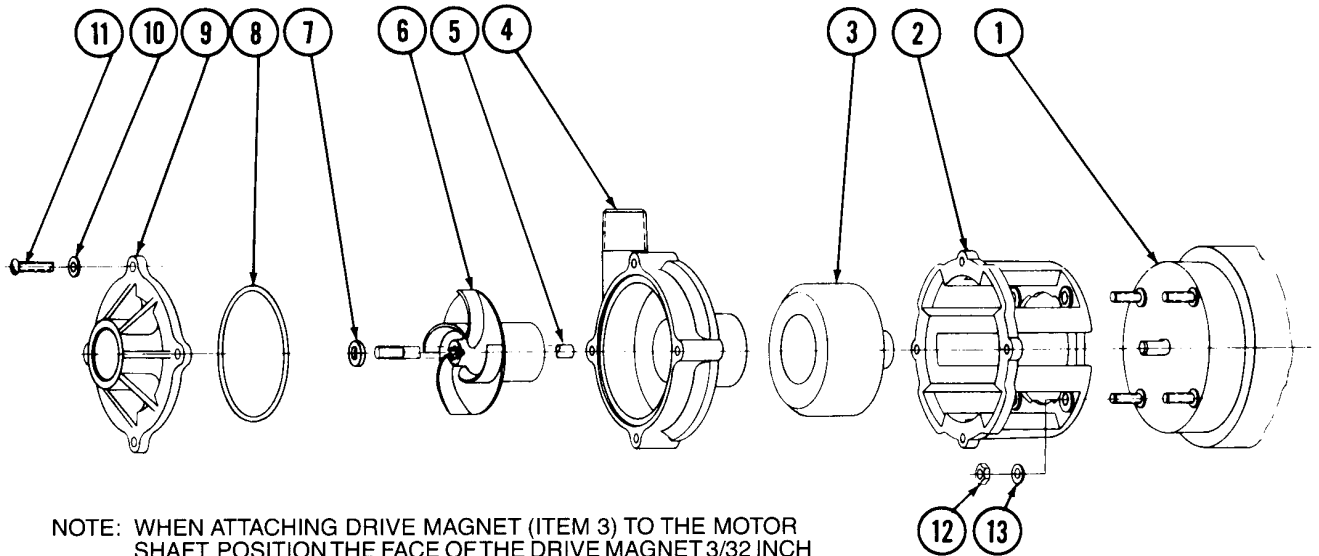
We rely on the liquid being pumped to lubricate the impeller-magnet assembly spinning on the stationary spindle. If the pump is run dry for longer than 10 minutes, the plastic may "freeze" onto the spindle. Bronze, Teflon, and Carbon bushings are available if needed. Contact the factory for special applications, and dry running.

PUMP MATERIALS

All screws are type 18-8 stainless.
The "O" ring gasket is Buna-N rubber on AC and Viton "A" on BC
All stationary spindles are ceramic.
All plastic parts are Glass Filled Polypropylene Plastic.
The thrust washer is ceramic.
The Impeller Magnet is encased in Polypropylene on the BC Model.
Other materials are available, contact the factory for other than standard parts.

RATINGS AND SPECIFICATIONS

MODEL NO.	CONNECTORS		ELECTRICAL			G.P.H. AT LISTED HEAD						PSI GAGE	DIMENSIONS			PACK WT.
	INLET	OUTLET	HP	WATTS	AMPS	1 FT.	3 FT.	6 FT.	12 FT.	18 FT.	21 FT.		HT.	WD.	LG.	
AC-3CP-MD	3/4" FPT	1/2" MPT	1/14	150	2.1	630	582	528	390	180	0	8.9	4-1/4	4	8-1/8	6-1/2 lbs.
BC-3CP-MD	3/4" FPT	1/2" MPT	1/15	120	1.7	630	582	528	390	180	0	8.9	4-1/4	4	9	7 lbs.



NOTE: WHEN ATTACHING DRIVE MAGNET (ITEM 3) TO THE MOTOR SHAFT, POSITION THE FACE OF THE DRIVE MAGNET 3/32 INCH BELOW THE FACE OF THE MOTOR BRACKET (ITEM 2).

ITEM	DESCRIPTION	PART NUMBER	QUANT. REQ'D.
1a.	AC Motor, 115 Volt, 60 Hz	130-022-10	1
b.	BC Motor, 115 Volt, 50/60 Hz	130-048-10	1
c.	AC or BC Motor, 230 Volt, 50/60 Hz	130-049-10	1
2	Motor Connecting Bracket	130-066-10	1
3	Drive Magnet Assembly	130-043-02	1
4	Pump Housing	130-018-10	1
5	Impeller Shaft	130-024-10	1
6a.	AC Impeller & Magnet Assembly	130-020-01	1
b.	BC Encapsulated Impeller Assembly	130-069-02	1
7	Thrust Washer (Ceramic)	130-028-10	1
8a.	2-5/8 I.D. x 3/32 Thick "O" Ring BUNA N	130-011-10	1
8b.	2-5/8 I.D. x 3/32 Thick "O" Ring VITON	130-033-10	1
9	Pump Housing Cover	130-021-10	1
10	#10 I.D. Washer	150-051-10	4
11	#10-32 x 1-3/8 Lg. Rd. Hd. Screw	823-008-10	4
12	#10 I.D. Lock Washer	821-038-10	4
13	#10-32 Hex Nut	802-008-10	4

Contact factory for other materials/or parts not listed on standard pumps.

LIMITED WARRANTY

March pumps are guaranteed only against defects in workmanship or materials for a period of one year from date of manufacture pumping water. On all other solutions contact factory for written warranty. See Warranty Card F4109 for full warranty.



MARCH MFG., INC.

1819 PICKWICK AVE. • GLENVIEW, ILLINOIS 60025-5793, U.S.A.
PHONE (847) 729-5300 • FAX (847) 729-7062