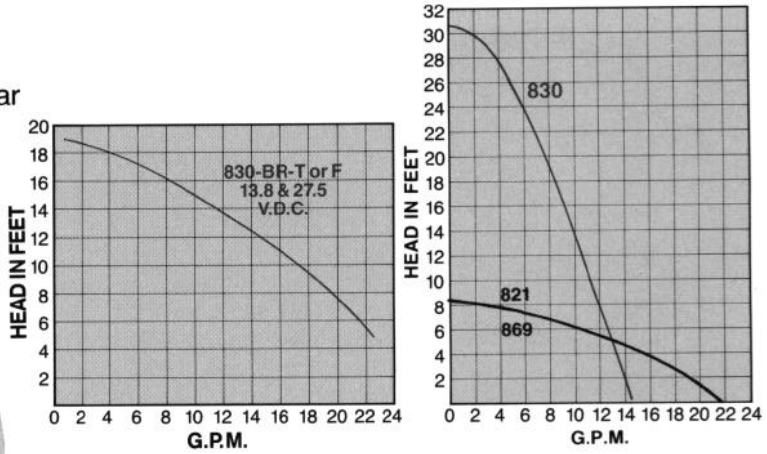


SERIES 821, 869, & 830

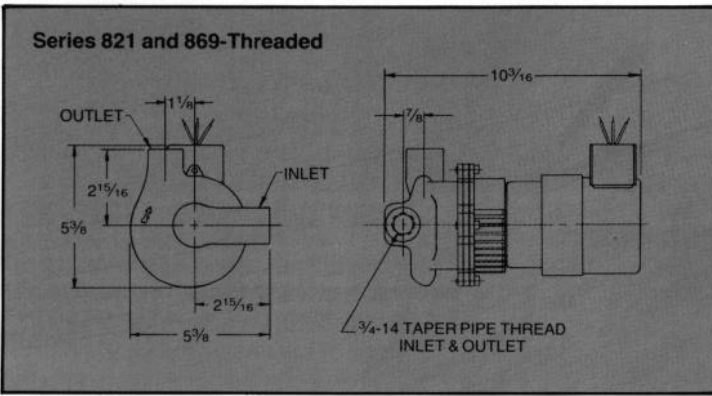
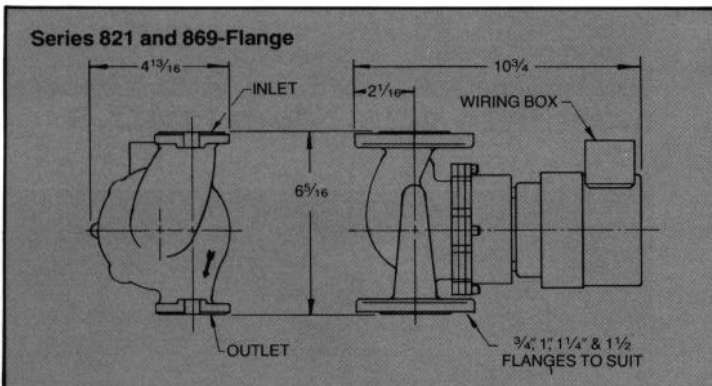
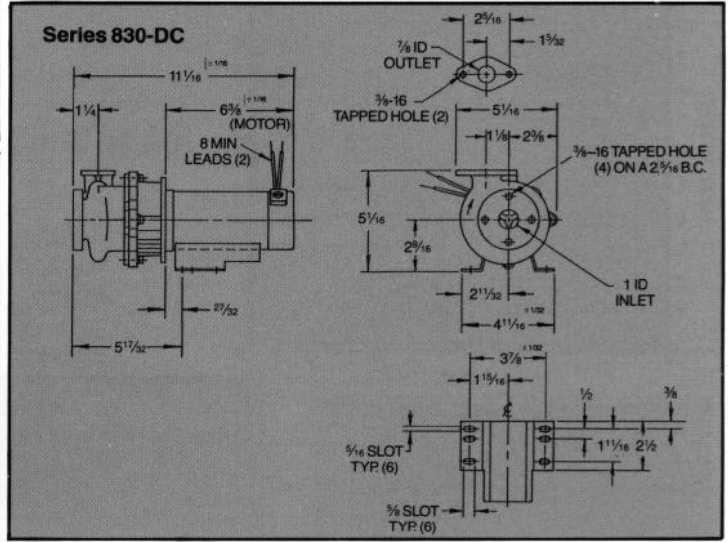
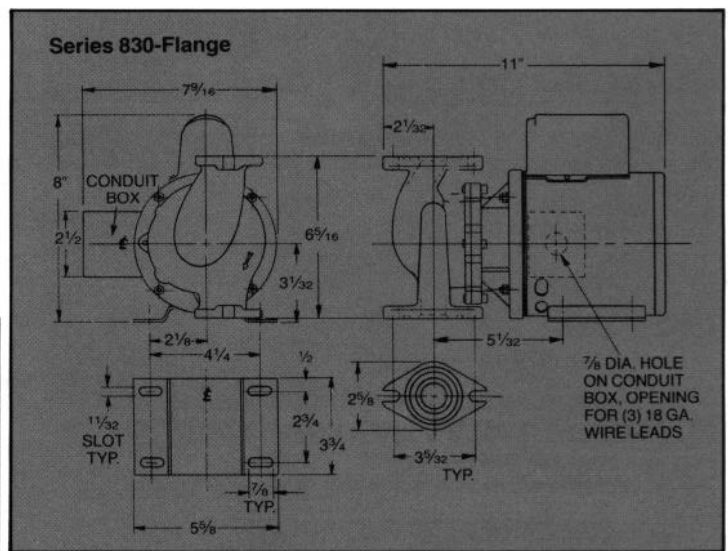
Seal-less Magnetic Drive Pumps

These series are widely used in domestic, industrial, and commercial hot water heating systems and hot water solar systems. The 869 series with maximum temperatures to 350° F. can be used for handling hot oil for food products.





MADE IN USA



Photographs, dimensional drawings and flow curves may vary depending on the current motors being used. Contact your local distributor for accurate current data for layout purposes.

ELECTRIC MOTORS

Model	Max. Flow GPM	Max. Head Ft.	Inlet	Outlet	HP	RPM	Volts	PH	Hz	Watts	Amp	Motor Type	Electrical Connection	Materials in Contact with Solution	Max. Int. Press PSI	Max. Liquid Temp. °F	Wt. Packed Lbs.
SERIES 821																	
821-CI	22	8.5	Flange	Flange										Cast Iron, 316 Stainless Steel, Ryton® Plastic, Carbon Ceramic, Nitrile/Fibre Gasket	150	250	14
821-CI-T	22	8.5	3/4" FPT	3/4" FPT	1/20	1600	115	1	50/60	110	1.8	BC	Conduit Box	Bronze, 316 Stainless Steel, Ryton Plastic, Carbon, Ceramic, Nitrile/Fibre Gasket	150	250	11 1/2
821-BR	22	8.5	Flange	Flange										Bronze, 316 Stainless Steel, Ryton Plastic, Carbon, Ceramic, Nitrile/Fibre Gasket	150	250	14 1/2
821-BR-T	22	8.5	3/4" FPT	3/4" FPT										Bronze, 316 Stainless Steel, Ryton Plastic, Carbon, Ceramic, Nitrile/Fibre Gasket	150	250	12
SERIES 869																	
869-CI	22	8.5	Flange	Flange	1/20	1600	115	1	50/60	110	1.8	BC	Conduit Box	Cast Iron, 316 Stainless Steel, Nylon Plastic, Ceramic Bushing, Nitrile/Fibre Gasket	150	350	13
869-CI-T	22	8.5	3/4" FPT	3/4" FPT										Bronze, 316 Stainless Steel, Ryton Plastic, Carbon, Ceramic, Nitrile/Fibre Gasket	150	350	11
SERIES 830																	
830-CI	15	30.5	Flange	Flange										Cast Iron, 316 Stainless Steel, Ryton Plastic, Ceramic, Nitrile/Fibre Gasket, Carbon	150	250	21
830-CI-T	15	30.5	3/4" FPT	3/4" FPT	1/5	3450	115	1	50/60	340	3.6	AC	Conduit Box	Bronze, 316 Stainless Steel, Ryton Plastic, Ceramic, Nitrile/Fibre Gasket, Carbon	150	250	18 1/2
830-BR	15	30.5	Flange	Flange										Bronze, 316 Stainless Steel, Ryton Plastic, Ceramic, Nitrile/Fibre Gasket, Carbon	150	250	21 1/2
830-BR-T	15	30.5	3/4" FPT	3/4" FPT										Bronze, 316 Stainless Steel, Ryton Plastic, Ceramic, Nitrile/Fibre Gasket, Carbon	150	250	19
830-BR-T-12	22.5	19.5	3/4" FPT	3/4" FPT	1/6	2960	13.8	—	DC	164	11.9	AC	Terminals	Pump Casings: BR is Bronze, 316 Stainless Steel	150	250	14
830-BR-F-12	22.5	19.5	Flange	Flange										Rear Housing, Carbon/Ryton Plastic Impeller, Ceramic Thrust Washer and Nitrile Fibre Gasket.	150	250	14
830-BR-T-24	22	18	3/4" FPT	3/4" FPT	1/6	2920	27.5	—	DC	151	5.5	AC	Terminals		150	250	14
830-BR-F-24	22	18	Flange	Flange											150	250	14

Mating flanges available in 3/4", 1", 1 1/4", 1 1/2" sizes—in both cast iron and bronze