

March circulating pumps with seal-less magnetic drive offer the ultimate in reliability for commercial, industrial, or domestic hot water systems. Their proven performance has established March as a leader in pioneering advancements for hydronic and solar systems . . . the only Magnetic Drive

pump currently recommended by Dow Corning for their Syltherm™ 444 heat transfer liquid.

Standard models operate at up to 250° F. for water. With minor modifications some models can be used with oil at up to 350° F. Special designs available for up to 500° F. The 809 series and 821 series are U.L. recognized.

## SERIES 809 & 815

### Seal-less Magnetic Drive Pumps

These series are widely used in domestic, industrial and commercial hot water heating systems and hot water solar systems. Materials in addition to those shown are available.



809-BR-HS-C



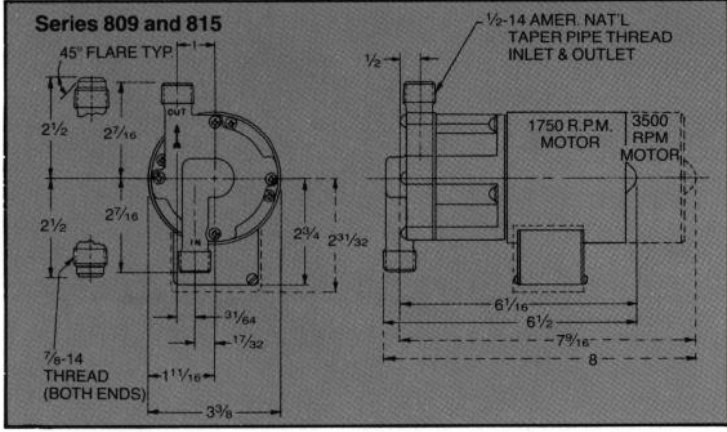
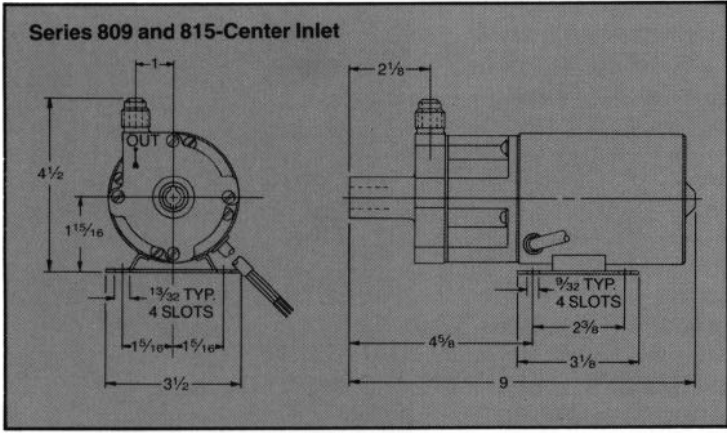
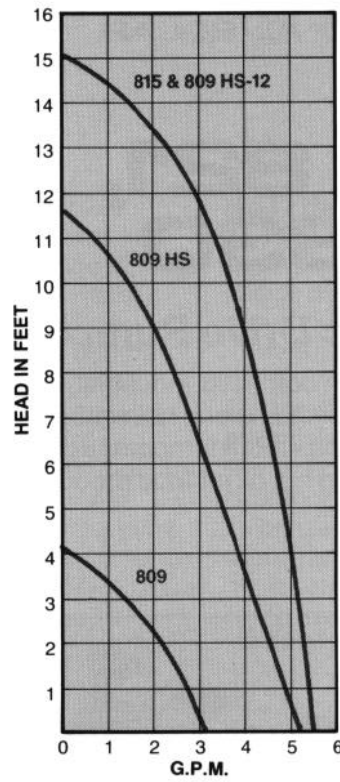
809-BR



809-BR-12



MADE IN USA



Photographs, dimensional drawings and flow curves may vary depending on the current motors being used. Contact your local distributor for accurate current data for layout purposes.

**ELECTRIC MOTORS**

Model	Max. Flow GPM	Max. Head Ft.	Inlet* Cindicates	Outlet*	HP	RPM	Volts	PH	Hz	Watts	Amp	Motor Type	Electrical Connection	Material* in Contact with Solutuion	Max. Int. Press. PSI	Max. Liquid Temp.*F	Wt. Packed Lbs.
809-BR**	4.5	4.3	1/2" MPT	1/2" MPT								AC	Conduit Box		150	250	5
809-PL**	4.5	4.3	1/2" MPT	1/2" MPT								AC	Conduit Box		50	250	4
809-BR-C	4.5	4.3	C 3/4" MPT	1/2" MPT	1/100	1700	115	1	60	30	0.4	AC	3 ft. SJO		150	250	6
809-BR-BB	4.5	4.3	1/2" MPT	1/2" MPT								AC/BB	Conduit Box		150	250	5
809-BR-24	4.5	4.3	1/2" MPT	1/2" MPT	1/100	1700	24	1	60	24	1.5	AC	Conduit Box		150	250	5
809-BR-12*	5.5	7.1	1/2" MPT	1/2" MPT	1/100	1950	12	—	DC	18	1.5	AC	Terminals		150	250	4 1/2
809-BR-24	5.5	7.1	1/2" MPT	1/2" MPT	1/100	1950	24	—	DC	18	.75	AC	Terminals	**PUMP HOUSING BR is Bronze. PL is Polysulfill Plastic. 316 Stainless Steel, Silicon rubber "O" ring, Ryton® and Teflon® Plastic Impeller.	150	250	4 1/2
809-BR-HS	7.2	12.1	1/2" MPT	1/2" MPT								AC	Conduit Box		150	250	5 1/2
809-PL-HS	7.2	12.1	1/2" MPT	1/2" MPT								AC	Conduit Box		50	250	5
809-BR-HS-C	7.2	12.1	C 3/4" MPT	1/2" MPT	1/25	3400	115	1	60	90	1.2	AC	3 ft. SJO		150	250	6 1/2
809-BR-HS-BB	7.2	12.1	1/2" MPT	1/2" MPT								AC/BB	3 ft. SJO		150	250	5 1/2
809-BR-HS-BB-C	7.2	12.1	C 3/4" MPT	1/2" MPT								AC/BB	3 ft. SJO		150	250	6 1/2
809-BR-HS-12 ◊	7.5	15.5	1/2" MPT	1/2" MPT	1/25	3600	12	—	DC	48	3.8	AC	Terminals		150	250	4 1/2
809-BR-HS-24	7.5	15.5	1/2" MPT	1/2" MPT	1/25	3600	24	—	DC	48	1.9	AC	Terminals		150	250	4 1/2
815-BR	8	18.6	1/2" MPT	1/2" MPT								AC	Conduit Box		150	250	5 1/2
815-PL	8	18.6	1/2" MPT	1/2" MPT								AC	Conduit Box		50	250	4 1/2
815-BR-C	8	18.6	C 3/4" MPT	1/2" MPT	1/25	3400	115	1	60	105	1.3	AC	3 ft. SJO		150	250	6
815-BR-BB	8	18.6	1/2" MPT	1/2" MPT								AC/BB	3 ft. SJO		150	250	5 1/2
815-BR-BB-C	8	18.6	C 3/4" MPT	1/2" MPT								AC/BB	3 ft. SJO		150	250	6

\* Flare style and solder style connections available on special order.  
 ◆ Other materials available on special order.  
 ● Brush life is a minimum of 10,000 hours.  
 ◊ Brush life is a minimum of 7,500 hours.

Center inlet housing for 809 Series can be supplied in stainless steel