

SERIES 5

Seal-less Magnetic Drive Pumps

The Series 5 is used in a wide variety of applications including computer cooling, carbon arc furnace cooling, detergent mixers, film processors, marine air conditioners and refrigerators. Pumps of Kynar plastic construction are designed to handle difficult solutions such as strong halogen solutions and certain strong chromic or sulfuric acid solutions. Other materials, including carbon bushings for dry running, and voltages in addition to those shown are available.

5C-MD

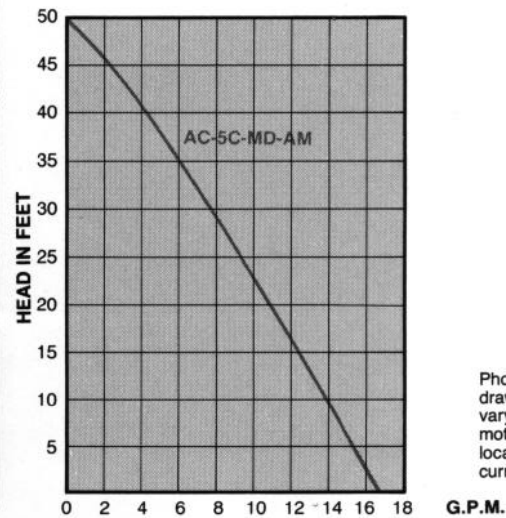
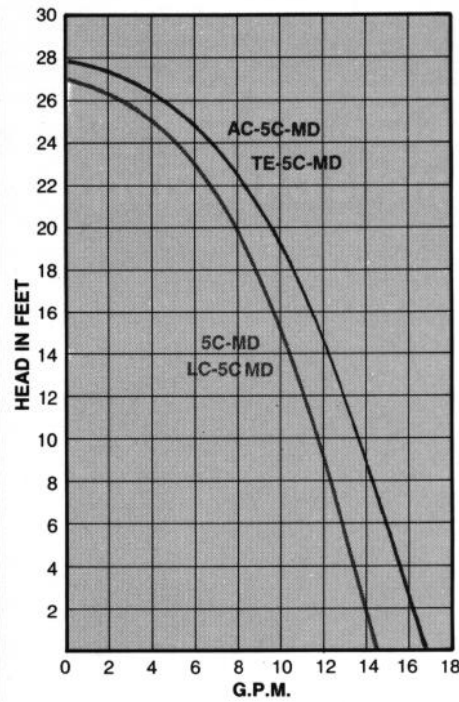
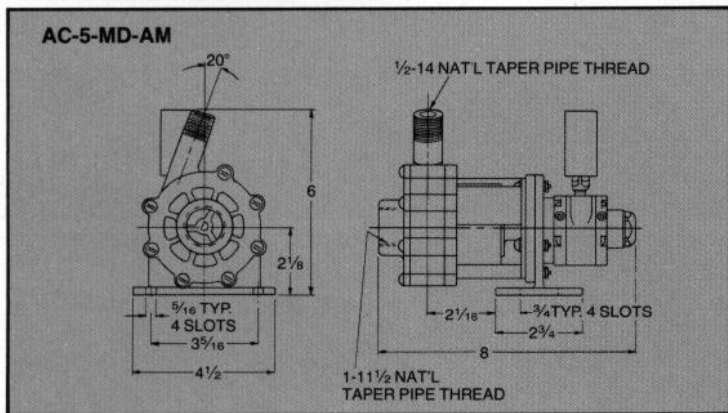
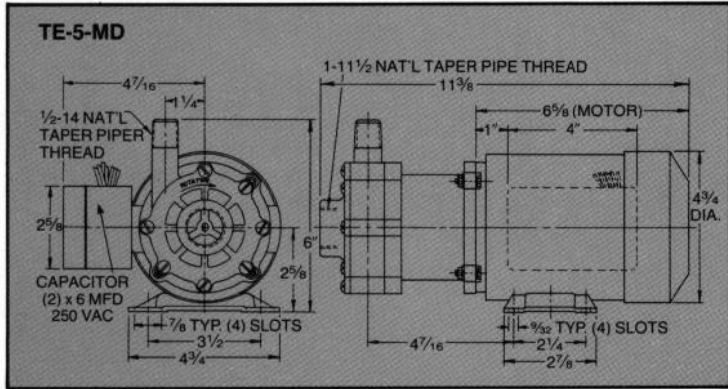
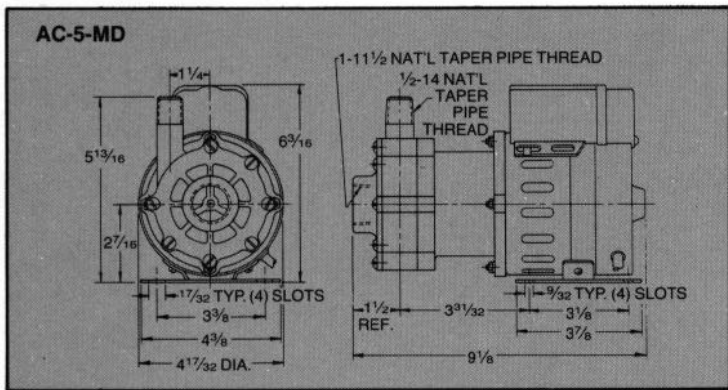
TE-5C-MD

AC-5C-MD-AM

AC-5C-MD



MADE IN USA



Photographs, dimensional drawings and flow curves may vary depending on the current motors being used. Contact your local distributor for accurate current data for layout purposes.

ELECTRIC MOTORS

| Model | Max. Flow GPM | Max. Head Ft. | Inlet | Outlet | HP | RPM | Volts* | PH | Hz | Watts | Amp | Motor Type | Electrical Connection | Materials* in Contact with Solution | Max Int. Press PSI | Max. Liquid Temp. °F | Wt. Packed Lbs. |
|-----------|---------------|---------------|-------|---------|-----|------|---------|----|-------|-------|---------|-----------------------------|-----------------------|---|--------------------|----------------------|-----------------|
| 5C-MD | 14.5 | 27 | 1"FPT | 1/2"MPT | 1/8 | 2800 | 115 | 1 | 50/60 | 250 | 2.1 | SUB Blue▲ TE/SUB Maroon△ | 6 ft. SJT w/plug | Stainless Steel, Epoxy, Polypropylene, SJT Cord, Buna N, Ceramic magnet | 50 | 130 | 18 |
| LC-5C-MD | 14.5 | 27 | 1"FPT | 1/2"MPT | | | | | | | | | | | | | |
| AC-5C-MD◇ | 17 | 27 | 1"FPT | 1/2"MPT | 1/8 | 3200 | 115 | 1 | 50/60 | 227 | 2.2 | AC | 3 ft. SJO | Polypropylene, Ceramic, Buna N, Ceramic magnet | 50 | 190 | 9 1/2 |
| AC-5A-MD | 17 | 27 | 1"OD | 3/4"OD | 1/8 | 3200 | 115 | 1 | 50/60 | 227 | 2.2 | | | | 50 | 190 | 15 1/2 |
| TE-5A-MD | 18 | 29 | 1"OD | 3/4"OD | 1/5 | 3450 | 115/230 | 1 | 50/60 | 200 | 2.2/1.1 | TEFC | Conduit Box | Polypropylene, Ceramic, Viton® | 50 | 190 | 15 1/2 |
| TE-5C-MD° | 18 | 29 | 1"FPT | 1/2"MPT | | | | | | | | | | | 50 | 190 | 15 1/2 |
| TE-5K-MD | 18 | 29 | 1"FPT | 1/2"MPT | 1/5 | 3450 | 115/230 | 1 | 50/60 | 200 | 2.2/1.1 | TEFC | Conduit Box | Carbon/Kynar,* Ceramic Viton® | 75 | 200 | 15 1/2 |
| TE-5S-MD | 18 | 29 | 1"FPT | 1/2"MPT | | | | | | | | | | 316 Stainless Steel, Viton,* Ceramic, Carbon bushing | 200 | 250 | 18 |

AIR MOTORS

| Model | Max. Flow GPM | Max. Head Ft. | Inlet | Outlet | HP | RPM◆ | Max. Air Press PSI | Max. CFM Req'd | Motor Type | Materials* in Contact with Solution | Max Int. Press PSI | Max. Liquid Temp. °F | Wt. Packed Lbs. |
|--------------|---------------|---------------|-------|---------|-----|------|--------------------|----------------|------------|--|--------------------|----------------------|-----------------|
| AC-5C-MD-AM◇ | 16.5 | 50 | 1"FPT | 1/2"MPT | 1/8 | 2900 | 60 | 7 | AM | Polypropylene, Ceramic, Buna N, Ceramic magnet | 50 | 190 | 5 |
| AC-5A-MD-AM | 16.5 | 50 | 1"OD | 3/4"OD | | | | | | | | | |
| TE-5A-MD-AM | 16.5 | 50 | 1"OD | 3/4"OD | 1/8 | 2900 | 60 | 7 | AM | Polypropylene, Ceramic, Viton® | 50 | 190 | 5 |
| TE-5C-MD-AM | 16.5 | 50 | 1"FPT | 1/2"MPT | | | | | | | | | |
| TE-5K-MD-AM | 16.5 | 50 | 1"FPT | 1/2"MPT | 1/8 | 2900 | 60 | 7 | AM | Carbon/Kynar,* Ceramic, Viton® | 75 | 200 | 5 |
| TE-5S-MD-AM | 16.5 | 50 | 1"FPT | 1/2"MPT | | | | | | 316 Stainless Steel, Viton,* Ceramic, Carbon bushing | 200 | 250 | 7 1/2 |

★ Other materials and voltages available on special order.
◆ RPM at wide open flow and 0 head, RPM increases as head increases
◇ Priming reservoir available, see page 15.
▲ Blue color epoxy indicates that pump must be run fully submerged.

Explosion proof motors available on AC and TE models.
Carbon bushing available for dry running.
Other bushing materials available for various chemical solutions.