



MARCH PUMPS

1819 PICKWICK AVE., GLENVIEW, IL 60026-1306, U.S.A
PHONE: (847) 729-5300 - FAX: (847) 729-7062
WWW.MARCHPUMP.COM

INSTRUCTIONS & REPAIR PARTS FOR FOR MODEL AC & BC-4C-MD PUMP



MODEL AC-4C-MD
ASS'Y. NO. 0145-0010-0100



MODEL BC-4C-MD
ASS'Y. NO. 0145-0010-0400

RATINGS AND SPECIFICATIONS

MODEL NO.	CONNECTORS		ELECTRICAL			G.P.H. AT LISTED HEAD						PSI GAGE	DIMENSIONS			PACK WT.
	INLET	OUTLET	HP	WATTS	AMPS	1 FT.	3 FT.	6 FT.	12 FT.	18 FT.	24 FT.		HT.	WD.	LG.	
AC-4C-MD	1" FPT	1/2" MPT	1/12	150	1.3	840	740	660	495	250	0	9.3	5-5/8"	5-1/8"	10 10 1/8"	10 LBS.
BC-4C-MD	1" FPT	13/16" O.D.	1/10	200	1.65	840	740	660	495	250	0	9.3	5-5/8"	5-1/8"	10 10 1/8"	10 LBS.

PUMP CONSTRUCTION & SERVICING

March "Orbital" Magnetic Drive Pumps eliminate the conventional shaft seals found in most pumps. This means that there is no rotating seal to wear and allow the liquid being pumped to leak out. The pumping action may eventually fail, however the liquid can never leak out. The Model AC-4C-MD has an open air fan cooled, moisture protected motor, allowing the pump to be run continuously. Totally enclosed blast cooled motors are used on the BC pumps.

All pumps can be serviced with the use of screwdriver. The only moving part in the pump other than the motor is the impeller-magnet assembly. This assembly rotates on a stationary spindle and up against a thrust washer. These are the only parts that can wear, and may need to be replaced. See the Repair Parts List for replacement parts.

ELECTRICAL CONNECTIONS

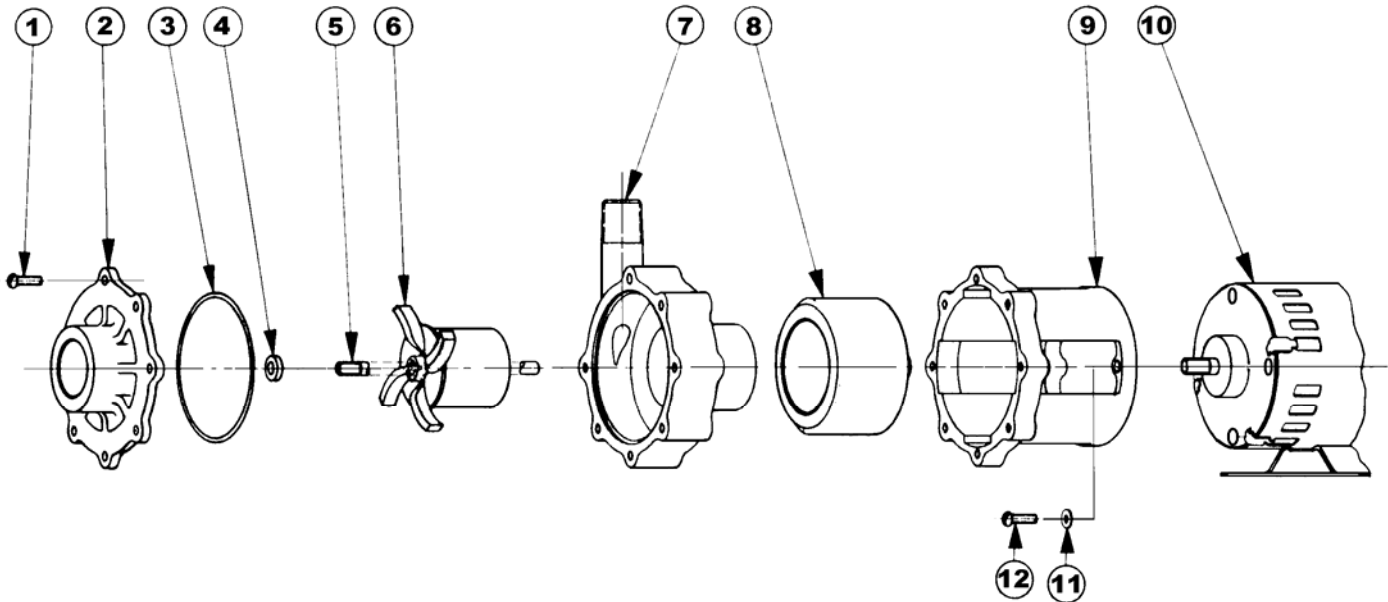
All models are standard in 115 volt, 50/60 cycle, 1 phase, A.C. The motors are thermal overload protected, and the motor and overload combinations are U.L. and C.S.A. listed. All cords sets are U.L. approved 18/3 wire, SJO or SJT cords. The AC & BC style pumps have 3 foot long cords with no plug attached.

RUNNING DRY

We rely on the liquid being pumped to lubricate the impeller-magnet assembly spinning on the stationary spindle. The pump is not to run dry as the plastic may "freeze" onto the spindle. Teflon and Carbon bushings are available if needed. Contact the factory for special applications.

PUMP MATERIALS

All screws are type 18-8 stainless.
The "O" ring gasket is Buna-N rubber on AC and Viton on BC.
All stationary spindles are ceramic.
All wetted plastic parts are Glass Filled Polypropylene Plastic.
Motor Bracket is Glass Filled Noryl.
The impeller magnet is encapsulated in Polypropylene on the BC pump.
The thrust washers are ceramic.
Other materials are available, contact the factory for other than standard parts.



MODEL AC & BC-4C-MD REPAIR PARTS LIST			
ITEM	DESCRIPTION	QTY.	PART NO.
1	Screws, #8-32 x 1¼ Lg.	7	0150-0021-1000
2	Cover	1	0150-0032-1000
3	"O" Ring, Buna-N, standard on AC	1	0135-0007-1000
3A	"O" Ring, Viton, Standard on BC	1	0135-0023-1000
4	Thrust Washer	1	0130-0028-1000
5	Shaft	1	0130-0024-1000
6	Impeller-Magnet Ass'y. Bare Magnet on AC	1	0145-0011-0100
6A	Impeller-Magnet Ass'y. Encapsulated Magnet on BC	1	0145-0033-0200
7	Pump Housing	1	0150-0031-0100
8	Drive Magnet Ass'y.	1	0145-0027-0100
9	Motor Bracket	1	0145-0010-1000
10	Motor, 115 Volt on AC	1	0145-0012-1000
10A	Motor, 115 Volt on BC	1	0145-0035-1000
11	Washer Flat, #8	4	0858-0004-1000
12	Screws, #8-32 x 5/8" Lg.	4	0618-0027-1000

Contact factory for other materials and/or parts not listed.

LIMITED WARRANTY

March pumps are guaranteed only against defects in workmanship or materials for a period of one year from date of manufacture pumping water. On all other solutions, contact the factory for application assistance. March Pump Application Worksheet 750-130-10 is available for additional warranty information.