

SERIES 4

Seal-less Magnetic Drive Pumps

The Series 4 is widely used in chemical, OEM, industrial applications including electronic medical equipment, etching copper plates, photo solution recirculation and regeneration, and hospital thermal blankets. Other materials, including carbon bushings for dry running, and voltages in addition to those shown are available.

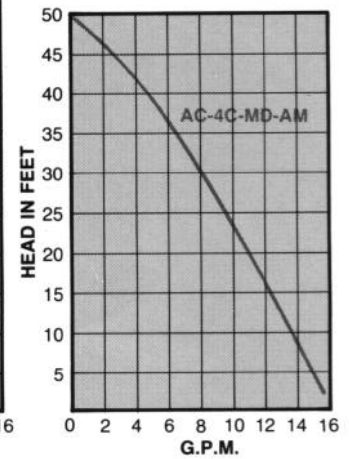
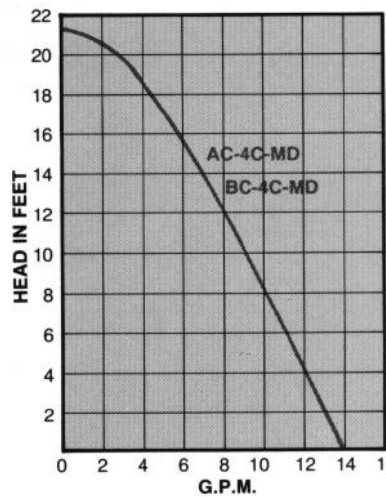
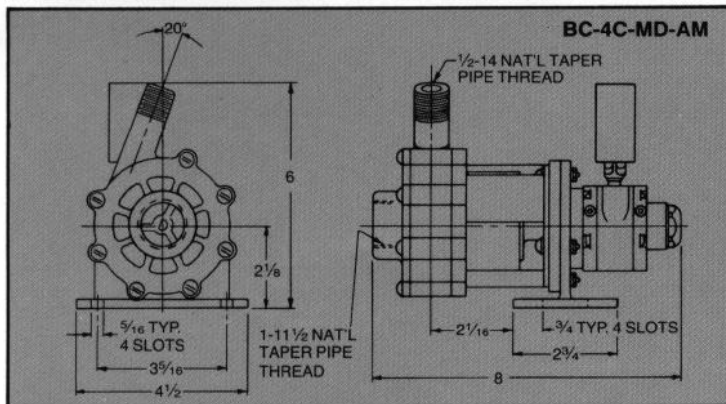
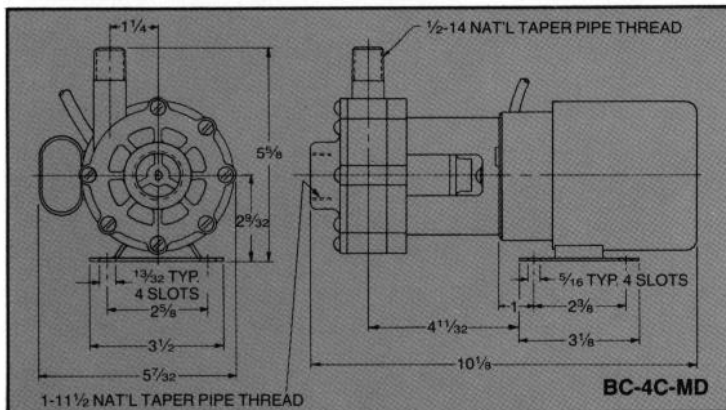
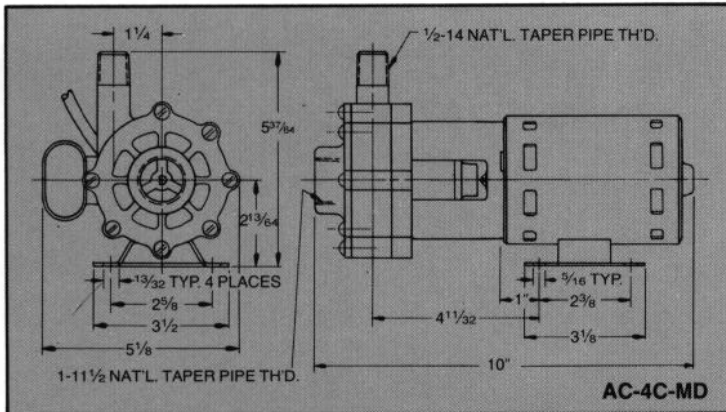


AC-4C-MD-AM

BC-4C-MD

AC-4C-MD

MADE IN USA



MODEL 750 PRIMING RESERVOIR

Material in contact with solution:
Polypropylene and Viton

Reservoir can be attached to:	Suction Lift – Max. length of inlet pipe
All Series 4 models, AC-5C-MD, TE-5C-MD, AC-5C-MD-AM	10 ft.
AC-5, 5C-MD, TE-5.5C-MD	7 ft.
DP-6T-MD, TE-6T-MD	6 ft.



Photographs, dimensional drawings and flow curves may vary depending on the current motors being used. Contact your local distributor for accurate current data for layout purposes.

ELECTRIC MOTORS

Model	Max. Flow GPM	Max. Head Ft.	Inlet	Outlet	HP	RPM	Volts*	PH	Hz	Watts	Amp	Motor Type	Electrical Connection	Materials* in Contact with Solution	Max. Int. Press PSI	Max. Liquid Temp. °F	Wt. Packed Lbs.
AC-4C-MD	14	21.5	1" FPT	1/2" MPT	1/12	3450	115	1	50/60	150	1.3	AC	3 ft. SJO	Polypropylene, Ceramic, Ceramic magnet, Buna N.	50	190	8 1/2
AC-4A-MD	14	21.5	1" OD	3/4" OD													
BC-4C-MD	14	21.5	1" FPT	1/2" MPT	1/10	3450	115	1	50/60	200	1.65	BC		Polypropylene, Ceramic, Viton®	50	190	10
BC-4A-MD	14	21.5	1" OD	3/4" OD													

AIR MOTORS

Model	Max. Flow GPM	Max. Head Ft.	Inlet	Outlet	HP	RPM	Max Air Pressure PSI	Max. CFM Req'd	Motor Type	Materials* in Contact with Solution	Max. Int. Press PSI	Max. Liquid Temp. °F	Wt. Packed Lbs.
AC-4C-MD-AM	16	49	1" FPT	1/2" MPT					AM	Polypropylene, Ceramic, Ceramic magnet, Buna N.	50	190	5
AC-4A-MD-AM	16	49	1" OD	3/4" OD									
BC-4C-MD-AM	16	49	1" FPT	1/2" MPT	1/8	3550	65	8	AM	Polypropylene, Ceramic, Viton®	50	190	5
BC-4A-MD-AM	16	49	1" OD	3/4" OD									

* Other materials and voltages available on special order.
◆ RPM at wide open flow and 0 head, RPM increases as head is increased.

Carbon bushing available for dry running.
Other bushing materials available for various chemical solutions.