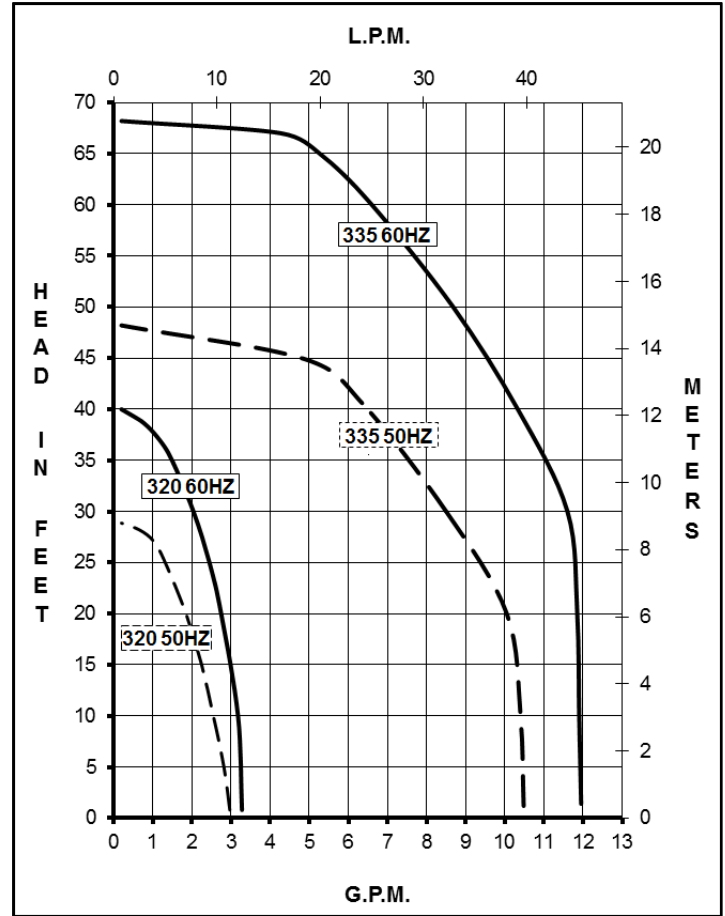
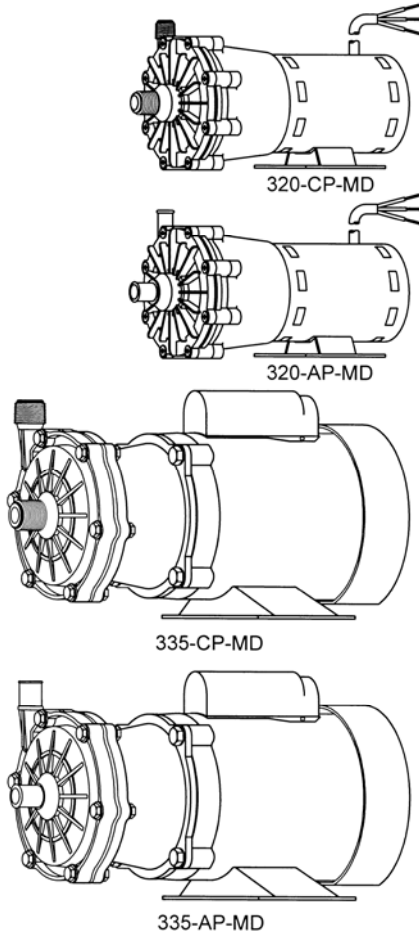




MARCH PUMPS

1819 PICKWICK AVE., GLENVIEW, IL 60026-1306, U.S.A
 PHONE: (847) 729-5300 - FAX: (847) 729-7062
 WWW.MARCHPUMP.COM

320-AP-MD, 335-AP-MD
320-CP-MD, 335-CP-MD



MODEL ABBREVIATIONS:

A = Smooth Inlet/Outlet, C = Threaded Inlet/Outlet
 MD = Magnetic Drive

DESCRIPTION: Series 320 & 335 pumps are centrifugal magnetic drive pumps, eliminating the need for a shaft seal. These pumps can be serviced with a screwdriver or adjustable wrench. See the repair parts list for a breakdown of replacement parts.

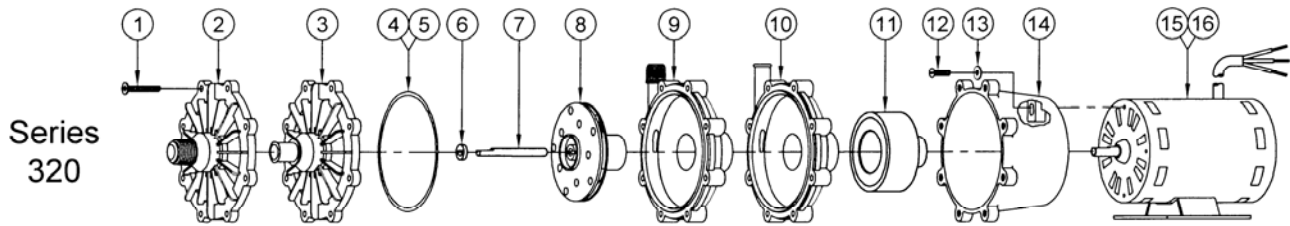
OPERATION:

These pumps are not self-priming, lack a suction lift, and thus require a **flooded suction**. These pumps **cannot be run dry** because the impeller requires the liquid being pumped for lubrication. The direction of motor rotation should be clockwise when facing the inlet of the pump. For liquids with a specific gravity greater than water, have a higher viscosity, or for elevated temperatures, a trimmed impeller may be necessary. For application assistance, contact March Pump.

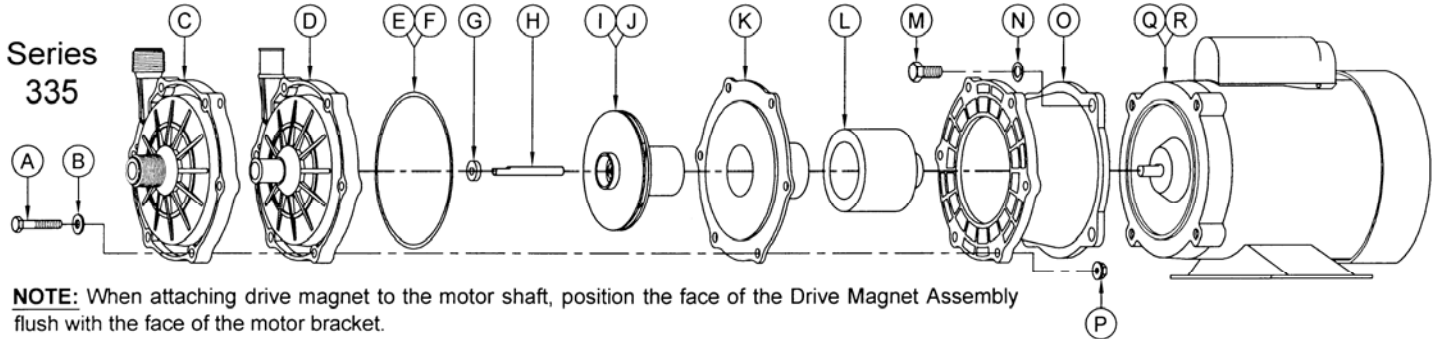
ELECTRICAL:

320 motors are available in different electrical configurations such as 115V 50/60Hz, and 230V 50/60Hz, 1 phase, air cooled. 335 pumps are 115/230V 50/60Hz, 1 phase or 230/460V 50/60Hz, 3 phase, TEFC. The motors are U.L. listed and rated as continuous duty. Explosion proof and special voltage motors are available on the 335 upon special order.

SPECIFICATIONS			320-AP-MD	320-CP-MD	335-AP-MD	335-CP-MD
Max Flow	50Hz	lpm	11.3		37.8	
	60Hz	gpm	3.3		12	
Max Head	50Hz	m	8.8		14.6	
	60Hz	ft (psi)	40 (17.3)		68 (29.4)	
Inlet			5/8" OD	1/2" MPT	3/4" OD	3/4" MPT
Outlet			1/2" OD	3/8" MPT	3/4" OD	3/4" MPT
Max Internal Pressure	psi		50		50	
	bar		3.4		3.4	
Max Liquid Temperature	°F		190		190	
	°C		87		87	
Packed Weight		kg/lbs	4.5/10		9.5/21	
Motor Type			Air Cooled 1 Phase		TEFC 1 Phase	
50Hz	115V	Watts - Amps	121 - 1.75		290 - 4.4	
	230V	Watts - Amps			290 - 2.2	
	Kw - Rpm		0.062 - 2850		0.248 - 2850	
60Hz	115V	Watts - Amps	172 - 1.75		452 - 4.4	
	230V	Watts - Amps			452 - 2.2	
	Hp - Rpm		1/12 - 3450		1/3 - 3450	
Electrical Connection			3 ft (0.9m) Cord		Conduit Box	
Overall Pump Dimensions in Inches / cm	Height		5.01 - 12.7		7.79 / 19.7	
	Width		5.33 / 13.5		7.74 / 19.6	
	Length		9.99 / 25.3		13.67 / 34.7	
Motor Type			Air Cooled 1 Phase		TEFC 3 Phase	
50Hz	190V	Watts - Amps			350 - 1.2	
	230V	Watts - Amps	126 - 0.75			
	380V	Watts - Amps			350 - 0.6	
Kw - Rpm		0.062 - 2850		0.186 - 2850		
60Hz	230V	Watts - Amps	165 - 0.75		425 - 1.2	
	460V	Watts - Amps			425 - 0.6	
	Hp - Rpm		1/12 - 3450		1/3 - 3450	
Electrical Connection			3 ft (0.9 m) Cord		Conduit Box	
Overall Pump Dimensions in Inches / cm	Height		5.01 / 12.7		7.44 / 18.8	
	Width		5.32 / 13.5		9.25 / 23.4	
	Length		10.30 / 26.1		14.49 / 36.8	



NOTE: When attaching drive magnet to the motor shaft, position the face of the drive magnet 3/32 inch below the face of the motor bracket.



NOTE: When attaching drive magnet to the motor shaft, position the face of the Drive Magnet Assembly flush with the face of the motor bracket.

REPAIR PARTS LIST

ITEM	320	DESCRIPTION	MATERIAL	SIZE (Inches)	QTY	PART #	320-AP-MD	320-CP-MD
1	Screw		Stainless	#8-32 x 1-1/4 Lg	8	0320-0008-1000	S	S
2	Cover		Polypropylene	1/2" MPT Inlet	1	0320-0011-1000	O	S
3	Cover		Polypropylene	5/8" OD Inlet	1	0320-0003-1000	S	O
4	"O" Ring		Viton	0.118 CS x 3.622 ID	1	0320-0006-1000	S	S
5	"O" Ring		EPDM	0.118 CS x 3.622 ID	1	0320-0012-1000	O	O
6	Thrust Washer		Ceramic		1	0130-0028-1000	S	S
7	Shaft		Ceramic		1	0130-0024-1000	S	S
8	Impeller		Polypropylene		1	0320-0004-0300	S	S
9	Rear Housing w/Thrust Washer		Polypropylene/Ceramic	3/8" MPT Outlet	1	0320-0010-0100	O	S
10	Rear Housing w/Thrust Washer		Polypropylene/Ceramic	1/2" OD Smooth	1	0320-0002-0100	S	O
11	Drive Magnet				1	0130-0043-0200	S	S
12	Screw		Stainless	#8-32 x 5/8 Lg	4	0618-0027-1000	S	S
13	Washer		Stainless	#8	4	0135-0016-1000	S	S
14	Motor Bracket		Plastic		1	0320-0007-0100	S	S
15	Motor 115V, 50/60Hz				1	0145-0012-1000	S	S
16	Motor 230V, 50/60Hz				1	0145-0029-1000	S	S
ITEM	335	DESCRIPTION	MATERIAL	SIZE (Inches)	QTY	PART #	335-AP-MD	335-CP-MD
A	Screw		Stainless	1/4-20 x 1-1/2 Lg	6	0153-0011-1000	S	S
B	Washer		Stainless	1/4 ID x 5/8 OD	6	0157-0023-1000	S	S
C	Front Housing		Polypropylene	3/4" MPT Inlet/Outlet	1	0335-0002-1000	O	S
D	Front Housing		Polypropylene	3/4" OD Inlet/Outlet	1	0335-0003-1000	S	O
E	"O" Ring		Viton	1/8 CS x 5 OD	1	0335-0009-1000	S	S
F	"O" Ring		Viton/Teflon	1/8 CS x 5 OD	1	0335-0016-1000	O	O
G	Thrust Washer		Ceramic		1	0821-0079-1000	S	S
H	Shaft		Ceramic		1	0130-0024-1000	S	S
I	Impeller		Polypropylene		1	0335-0005-0200	S	S
J	Impeller w/Carbon Bushing		Polypropylene/Carbon		1	0335-0005-0400	O	O
K	Rear Housing w/Thrust Washer		Polypropylene/Ceramic		1	0335-0004-0100	S	S
L	Drive Magnet				1	0151-0061-0200	S	S
M	Screw		Stainless	3/8-16 x 1 Lg	4	0155-0017-1000	S	S
N	Washer		Stainless	3/8 ID x 5/8 OD	4	0155-0019-1000	S	S
O	Motor Bracket		Plastic		1	0335-0010-1000	S	S
P	Hex Nut		Stainless	1/4-20	6	0156-0053-1000	S	S
Q	Motor, TEFC, 115/230V, 50/60Hz, 1 Phase				1	0151-0015-1000	S	S
R	Motor, TEFC, 230/460V, 50/60Hz, 3 Phase*				1	0151-0039-1000	S	S

NOTE: Contact Factory for other materials and/or parts not listed.

*Note Shown

Legend: S = Standard, O = Optional

MATERIALS IN CONTACT WITH SOLUTION:

320: Polypropylene, Ceramic, & Viton.

335: Polypropylene, Ceramic, & Viton.

NOTES:

All specifications & data are based on pumping water & are intended as a guideline only. Specifications may vary with different motors.

LIMITED WARRANTY:

March pumps are guaranteed only against defects in workmanship or materials for a period of one year from date of manufacture pumping water. For the complete warranty and to register online go to www.marchpump.com/warranty-registration