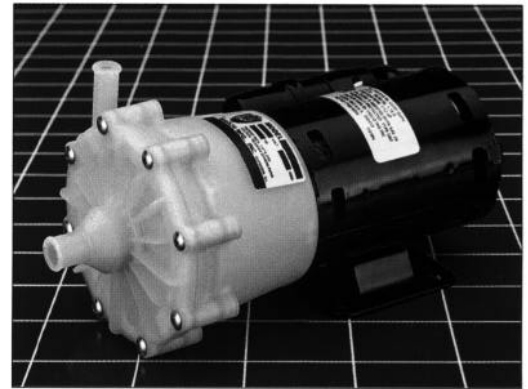
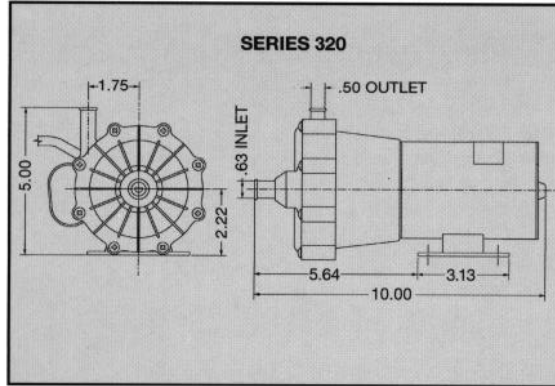
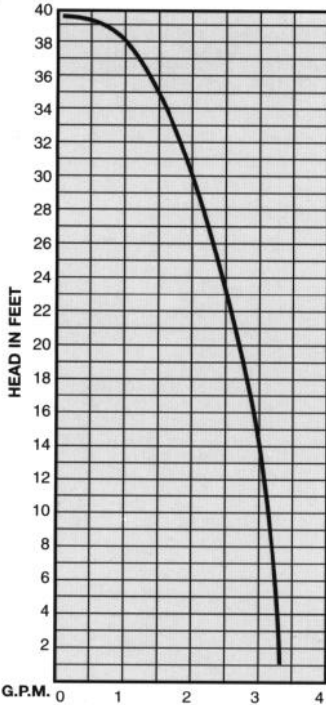


# SERIES 320 Seal-less Magnetic Coupled Corrosion Resistant Centrifugal Pump

For applications requiring low flow, but when it's necessary to develop pressure. This compact sized corrosion resistant pump has the durability of a centrifugal pump

for continuous duty. It's ideally suited for use in:  
 • Electronic Industry • Laser Cooling • Medical Systems  
 • Filter Systems • Computer Chip Processing

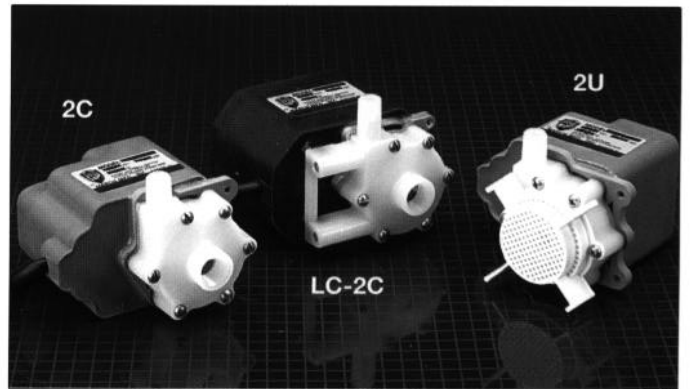
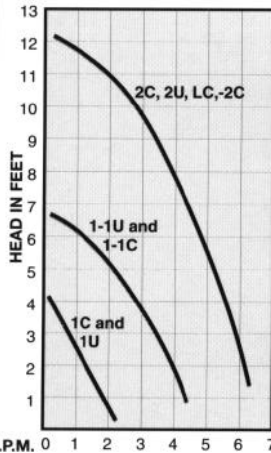
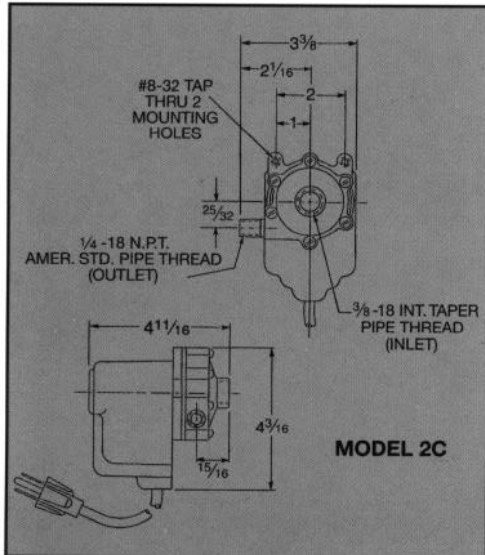


## CENTRIFUGAL PUMPS.

Model	Max. Flow GPM	Max. Head Ft.	Max. Internal Pressure Inlet	Max. Liquid Temp	Inlet	Outlet	HP	RPM	Volts	PH	Hz	Amp	Watts	Materials in Contact with Solution	Wt. Packed Lbs.
320-AP-MD	3.3	40	50	190°F	5/8" OD Smooth	1/2" OD Smooth	1/12	3450	115	1	50/60	1.3	150	Glass filled polypropylene, Ceramic spindle and thrust washers, Viton® O Ring	10
320-CP-MD	3.3	40	50	190°F	1/2"-14 MPT	3/8"-18 MPT	1/12	3450	115	1	50/60	1.3	150	Glass filled polypropylene, Ceramic spindle and thrust washers, Viton® O Ring	10

# SEALTYPE PUMPS

These inexpensive seal-type pumps are used in a wide variety of applications including advertising displays, ice flakers, ice makers, and machine oiling.



## ELECTRIC MOTORS

Model	Max. Flow GPM	Max. Head Ft.	Inlet	Outlet	HP	RPM	Volts	PH	Hz	Watts	Amp	Motor Type	Electrical Connection	Materials in Contact with Solution	Max. Int. Press PSI	Max. Liquid Temp. F°	Wt. Packed Lbs.
<b>SEAL TYPE PUMPS</b>																	
1C	2.3	4.2	3/8" MPT	1/4" MPT	1/75					40	.75	TE/SUB		Nylon, Stainless Steel Viton®, Cork & Neoprene Gaskets, Aluminum bracket	20	130	3
1U	2.3	4.2	SCREEN	1/4" MPT	1/75					40	.75	SUB		Nylon, Delrin®, Noryl®, Stainless Steel, Viton®, Cork & Neoprene	20	130	3
1-1C	4.5	7	3/8" FPT	1/4" MPT	1/75	3200	115	1	60	40	.75	TE/SUB	6 ft. SJT w/plug	Same as 1C	20	130	3
1-1U	4.5	7	SCREEN	1/4" MPT	1/75					40	.75	SUB		Same as 1U	20	130	3
2C	6.5	12.5	3/8" FPT	1/4" MPT	1/35					67	1.2	SUB		Same as 1C	20	130	4
2U	6.5	12.5	SCREEN	1/4" MPT	1/35					67	1.2	SUB		Same as 1U	20	130	4
LC-2C	6.5	12.5	3/8" FPT	1/4" MPT	1/35					67	1.2	TE/SUB		Same as 1C	20	130	4 1/2