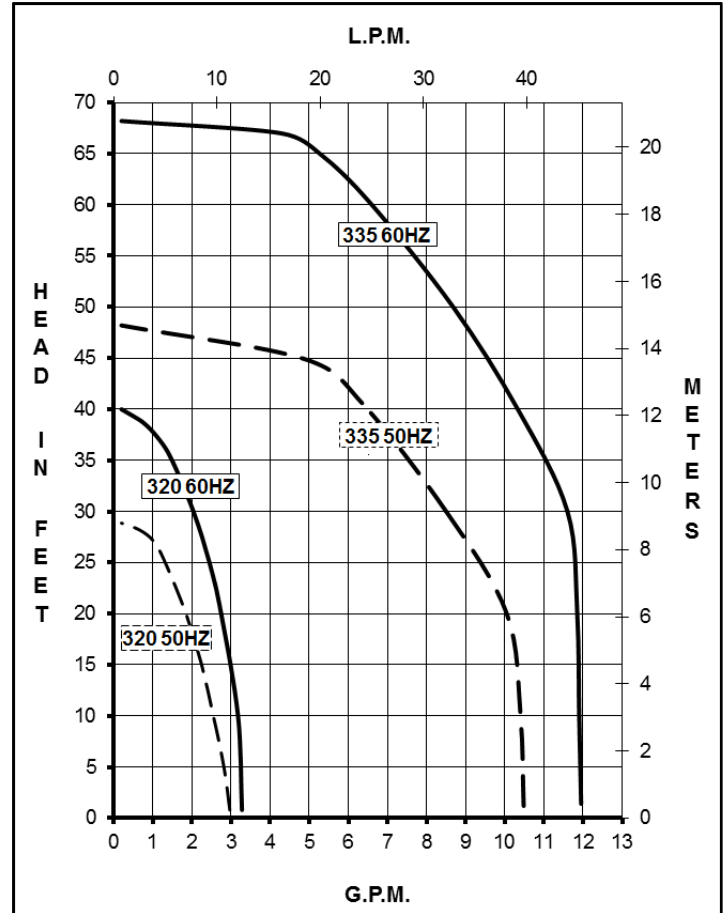
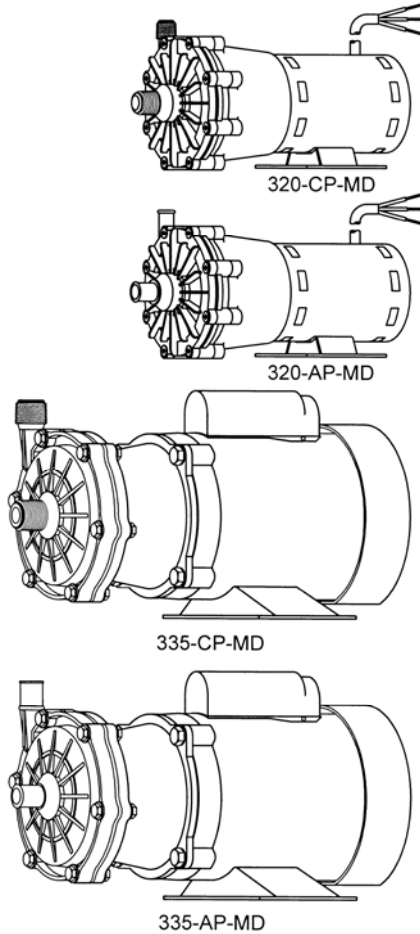




# MARCH PUMPS

1819 PICKWICK AVE., GLENVIEW, IL 60026-1306, U.S.A  
 PHONE: (847) 729-5300 - FAX: (847) 729-7062  
 WWW.MARCHPUMP.COM

## 320-AP-MD, 335-AP-MD 320-CP-MD, 335-CP-MD



### MODEL ABBREVIATIONS:

A = Smooth Inlet/Outlet, C = Threaded Inlet/Outlet  
 MD = Magnetic Drive

**DESCRIPTION:** Series 320 & 335 pumps are centrifugal magnetic drive pumps, eliminating the need for a shaft seal. These pumps can be serviced with a screwdriver or adjustable wrench. See the repair parts list for a breakdown of replacement parts.

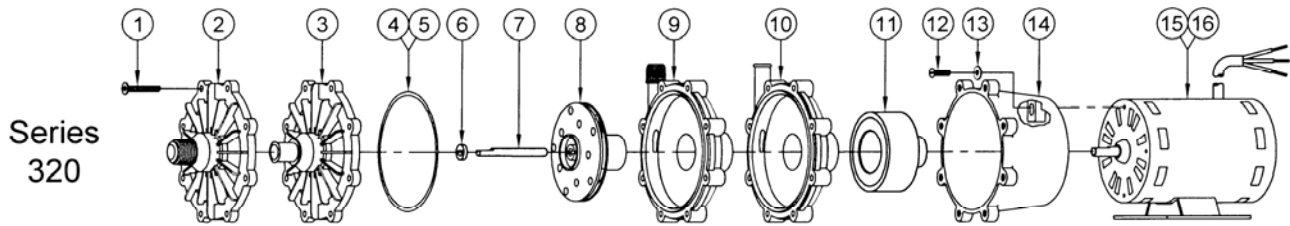
### OPERATION:

These pumps are not self-priming, lack a suction lift, and thus require a **flooded suction**. These pumps **cannot be run dry** because the impeller requires the liquid being pumped for lubrication. The direction of motor rotation should be clockwise when facing the inlet of the pump. For liquids with a specific gravity greater than water, have a higher viscosity, or for elevated temperatures, a trimmed impeller may be necessary. For application assistance, contact March Pump.

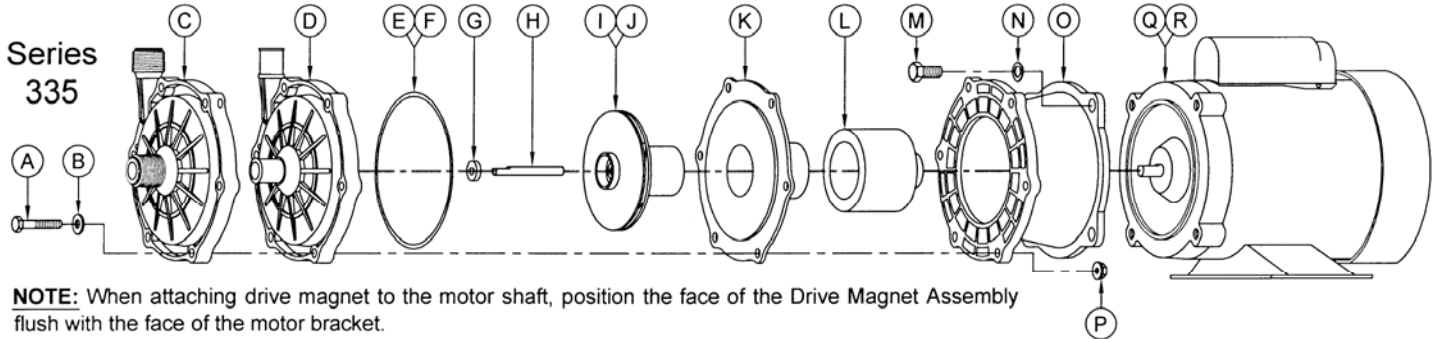
### ELECTRICAL:

320 motors are available in different electrical configurations such as 115V 50/60Hz, and 230V 50/60Hz, 1 phase, air cooled. 335 pumps are 115/230V 50/60Hz, 1 phase or 230/460V 50/60Hz, 3 phase, TEFC. The motors are U.L. listed and rated as continuous duty. Explosion proof and special voltage motors are available on the 335 upon special order.

SPECIFICATIONS			320-AP-MD	320-CP-MD	335-AP-MD	335-CP-MD
Max Flow	50Hz	lpm	11.3		37.8	
	60Hz	gpm	3.3		12	
Max Head	50Hz	m	8.8		14.6	
	60Hz	ft (psi)	40 (17.3)		68 (29.4)	
Inlet			5/8" OD	1/2" MPT	3/4" OD	3/4" MPT
Outlet			1/2" OD	3/8" MPT	3/4" OD	3/4" MPT
Max Internal Pressure	psi		50		50	
	bar		3.4		3.4	
Max Liquid Temperature	°F		190		190	
	°C		87		87	
Packed Weight		kg/lbs	4.5/10		9.5/21	
Motor Type			Air Cooled 1 Phase		TEFC 1 Phase	
50Hz	115V	Watts - Amps	121 - 1.75		290 - 4.4	
	230V	Watts - Amps			290 - 2.2	
	Kw - Rpm		0.062 - 2850		0.248 - 2850	
60Hz	115V	Watts - Amps	172 - 1.75		452 - 4.4	
	230V	Watts - Amps			452 - 2.2	
	Hp - Rpm		1/12 - 3450		1/3 - 3450	
Electrical Connection			3 ft (0.9m) Cord		Conduit Box	
Overall Pump Dimensions in Inches / cm	Height		5.01 - 12.7		7.79 / 19.7	
	Width		5.33 / 13.5		7.74 / 19.6	
	Length		9.99 / 25.3		13.67 / 34.7	
Motor Type			Air Cooled 1 Phase		TEFC 3 Phase	
50Hz	190V	Watts - Amps			350 - 1.2	
	230V	Watts - Amps	126 - 0.75			
	380V	Watts - Amps			350 - 0.6	
Kw - Rpm		0.062 - 2850		0.186 - 2850		
60Hz	230V	Watts - Amps	165 - 0.75		425 - 1.2	
	460V	Watts - Amps			425 - 0.6	
	Hp - Rpm		1/12 - 3450		1/3 - 3450	
Electrical Connection			3 ft (0.9 m) Cord		Conduit Box	
Overall Pump Dimensions in Inches / cm	Height		5.01 / 12.7		7.44 / 18.8	
	Width		5.32 / 13.5		9.25 / 23.4	
	Length		10.30 / 26.1		14.49 / 36.8	



**NOTE:** When attaching drive magnet to the motor shaft, position the face of the drive magnet 3/32 inch below the face of the motor bracket.



**NOTE:** When attaching drive magnet to the motor shaft, position the face of the Drive Magnet Assembly flush with the face of the motor bracket.

### REPAIR PARTS LIST

ITEM	320	DESCRIPTION	MATERIAL	SIZE (Inches)	QTY	PART #	320-AP-MD	320-CP-MD
1	Screw		Stainless	#8-32 x 1-1/4 Lg	8	0320-0008-1000	S	S
2	Cover		Polypropylene	1/2" MPT Inlet	1	0320-0011-1000	O	S
3	Cover		Polypropylene	5/8" OD Inlet	1	0320-0003-1000	S	O
4	"O" Ring		Viton	0.118 CS x 3.622 ID	1	0320-0006-1000	S	S
5	"O" Ring		EPDM	0.118 CS x 3.622 ID	1	0320-0012-1000	O	O
6	Thrust Washer		Ceramic		1	0130-0028-1000	S	S
7	Shaft		Ceramic		1	0130-0024-1000	S	S
8	Impeller		Polypropylene		1	0320-0004-0300	S	S
9	Rear Housing w/Thrust Washer		Polypropylene/Ceramic	3/8" MPT Outlet	1	0320-0010-0100	O	S
10	Rear Housing w/Thrust Washer		Polypropylene/Ceramic	1/2" OD Smooth	1	0320-0002-0100	S	O
11	Drive Magnet				1	0130-0043-0200	S	S
12	Screw		Stainless	#8-32 x 5/8 Lg	4	0618-0027-1000	S	S
13	Washer		Stainless	#8	4	0135-0016-1000	S	S
14	Motor Bracket		Plastic		1	0320-0007-0100	S	S
15	Motor 115V, 50/60Hz				1	0145-0012-1000	S	S
16	Motor 230V, 50/60Hz				1	0145-0029-1000	S	S
ITEM	335	DESCRIPTION	MATERIAL	SIZE (Inches)	QTY	PART #	335-AP-MD	335-CP-MD
A	Screw		Stainless	1/4-20 x 1-1/2 Lg	6	0153-0011-1000	S	S
B	Washer		Stainless	1/4 ID x 5/8 OD	6	0157-0023-1000	S	S
C	Front Housing		Polypropylene	3/4" MPT Inlet/Outlet	1	0335-0002-1000	O	S
D	Front Housing		Polypropylene	3/4" OD Inlet/Outlet	1	0335-0003-1000	S	O
E	"O" Ring		Viton	1/8 CS x 5 OD	1	0335-0009-1000	S	S
F	"O" Ring		Viton/Teflon	1/8 CS x 5 OD	1	0335-0016-1000	O	O
G	Thrust Washer		Ceramic		1	0821-0079-1000	S	S
H	Shaft		Ceramic		1	0130-0024-1000	S	S
I	Impeller		Polypropylene		1	0335-0005-0200	S	S
J	Impeller w/Carbon Bushing		Polypropylene/Carbon		1	0335-0005-0400	O	O
K	Rear Housing w/Thrust Washer		Polypropylene/Ceramic		1	0335-0004-0100	S	S
L	Drive Magnet				1	0151-0061-0200	S	S
M	Screw		Stainless	3/8-16 x 1 Lg	4	0155-0017-1000	S	S
N	Washer		Stainless	3/8 ID x 5/8 OD	4	0155-0019-1000	S	S
O	Motor Bracket		Plastic		1	0335-0010-1000	S	S
P	Hex Nut		Stainless	1/4-20	6	0156-0053-1000	S	S
Q	Motor, TEFC, 115/230V, 50/60Hz, 1 Phase				1	0151-0015-1000	S	S
R	Motor, TEFC, 230/460V, 50/60Hz, 3 Phase*				1	0151-0039-1000	S	S

NOTE: Contact Factory for other materials and/or parts not listed.

\*Note Shown

Legend: S = Standard, O = Optional

### MATERIALS IN CONTACT WITH SOLUTION:

320: Polypropylene, Ceramic, & Viton.

335: Polypropylene, Ceramic, & Viton.

### NOTES:

All specifications & data are based on pumping water & are intended as a guideline only. Specifications may vary with different motors.

### LIMITED WARRANTY:

March pumps are guaranteed only against defects in workmanship or materials for a period of one year from date of manufacture pumping water. For the complete warranty and to register online go to [www.marchpump.com/warranty-registration](http://www.marchpump.com/warranty-registration)