

SERIES 3

Seal-less Magnetic Drive Pumps

The Series 3 is used in a wide range of industrial, OEM, and chemical applications including film processing, ice makers, laboratory equipment, medical equipment, and vapor degreasing machines. Other materials and voltages in addition to those shown are available.

AC-3CP-MD-AM

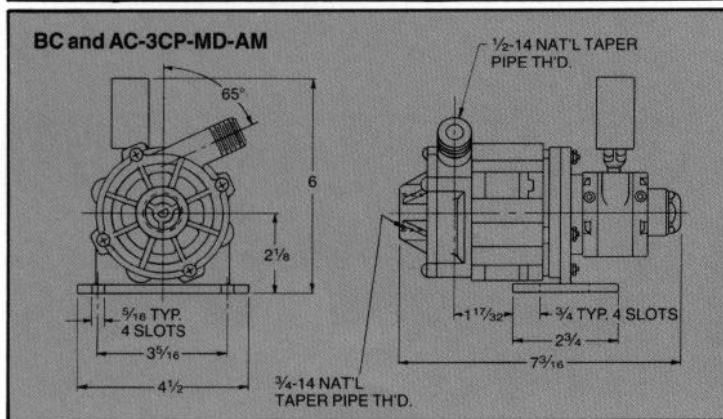
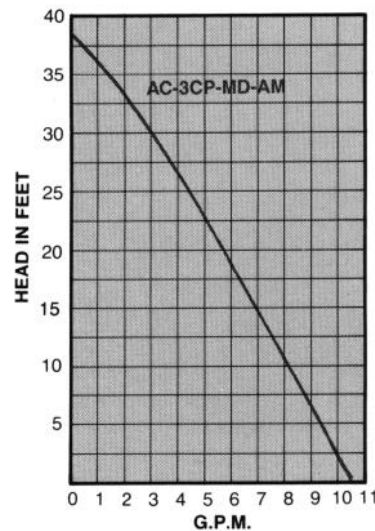
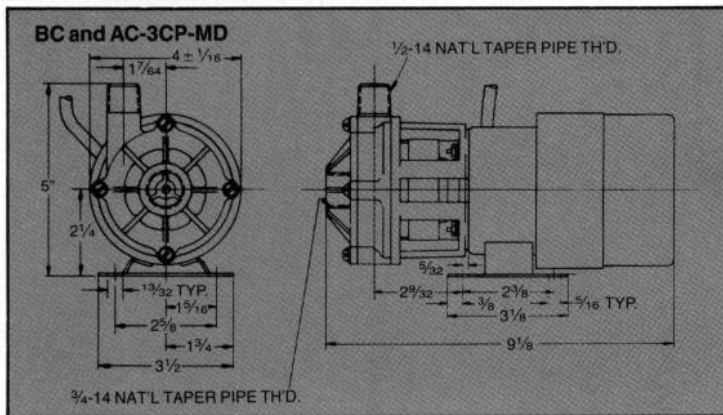
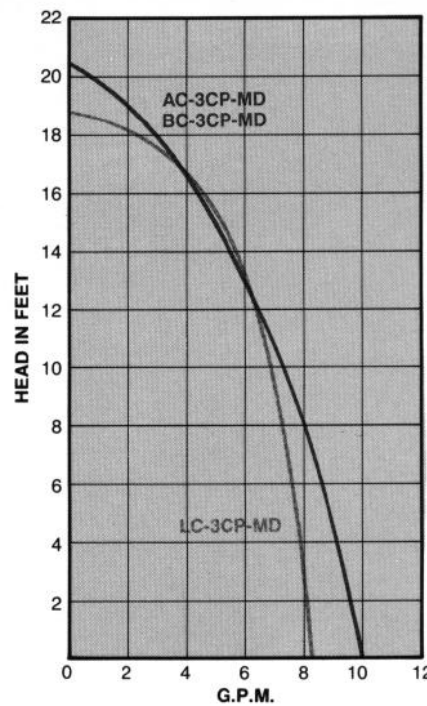
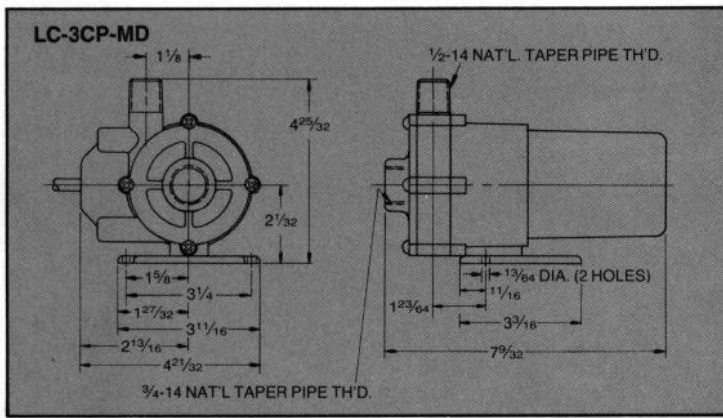
AF350

LC-3CP-MD

BC-3CP-MD



MADE IN USA



Photographs, dimensional drawings and flow curves may vary depending on the current motors being used. Contact your local distributor for accurate current data for layout purposes.

ELECTRIC MOTORS

Model	Max. Flow GPM	Max. Head Ft.	Inlet	Outlet	HP	RPM	Volts*	PH	Hz	Watts	Amp	Motor Type	Electrical Connection	Materials* in Contact with Solution	Max Int. Press PSI	Max. Liquid Temp. °F	Wt. Packed Lbs.
LC-3CP-MD	8.5	19	3/4" FPT	1/2" MPT	1/20	3200	115	1	60	120	2.35	TE/SUB Maroon△	6 ft. SJT	Polypropylene, Epoxy Cupric Nickel, Buna N, Ceramic; when submerged, Sulfil	25	130	8 1/2
AC-3CP-MD	10	20.5	3/4" FPT	1/2" MPT	1/15	3200	115	1	60	150	2.1	AC	3 ft. SJO	Polypropylene, Ceramic magnet, Ceramic, Buna N	50	190	7
AC-3AP-MD	10	20.5	3/4" OD	3/4" OD													
BC-3CP-MD	10	20.5	3/4" FPT	1/2" MPT	1/15	3450	115	1	50/60	120	1.7	BC	3 ft. SJO	Polypropylene, Ceramic, Viton®	50	190	8
BC-3AP-MD	10	20.5	3/4" OD	3/4" OD													

AIR MOTORS

Model	Max. Flow GPM	Max. Head Ft.	Inlet	Outlet	HP	RPM♦	Max. Air Press PSI	Max. CFM Req'd	Motor Type	Materials* in Contact with Solution	Max Int. Press PSI	Max. Liquid Temp. °F	Wt. Packed Lbs.
AC-3CP-MD-AM	10.5	39	3/4" FPT	1/2" MPT	1/8	3150	29	4	AM	Polypropylene, Ceramic magnet, Ceramic, Buna N	50	190	4 1/2
AC-3AP-MD-AM	10.5	39	3/4" OD	3/4" OD									
BC-3CP-MD-AM	10.5	39	3/4" FPT	1/2" MPT	1/8	3150	29	4	AM	Polypropylene, Ceramic, Viton®	50	190	4 1/2
BC-3AP-MD-AM	10.5	39	3/4" OD	3/4" OD									

★ Other materials and voltages available on special order.
 ♦ RPM at wide open flow and 0 head, RPM increases as head is increased.
 ▲ Blue color epoxy indicates that pump must be run fully submerged.
 △ Maroon color epoxy indicates pump can be run in open air or submerged.