

SERIES 2

Seal-less Magnetic Drive Pumps

The Series 2 includes submersible pumps as well as models that can be used either submerged or in open air. They're used in a wide variety of chemical, OEM and industrial applications including etching equipment, degreasers, garden fountains, ice flakers, plate processors, and slush drink machines. Other materials and voltages in addition to those shown are available.

AC-2CP-MD-AM

LC-2CP-MD

AC-2CP-MD

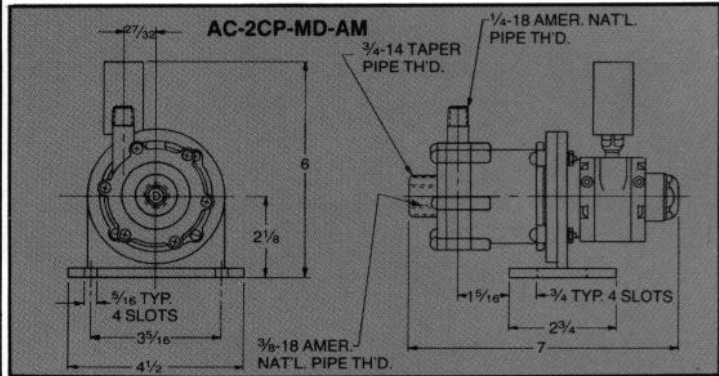
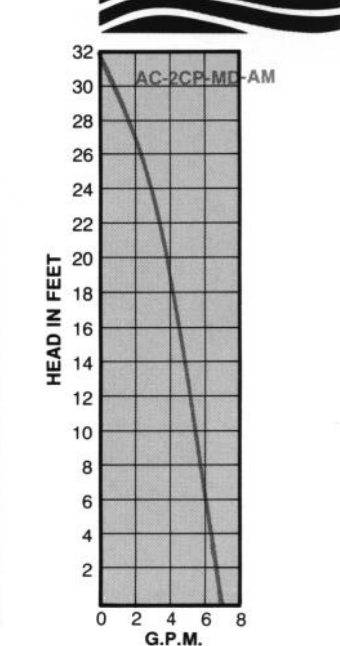
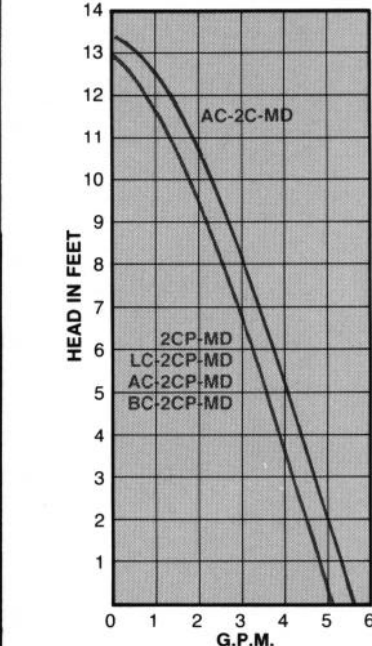
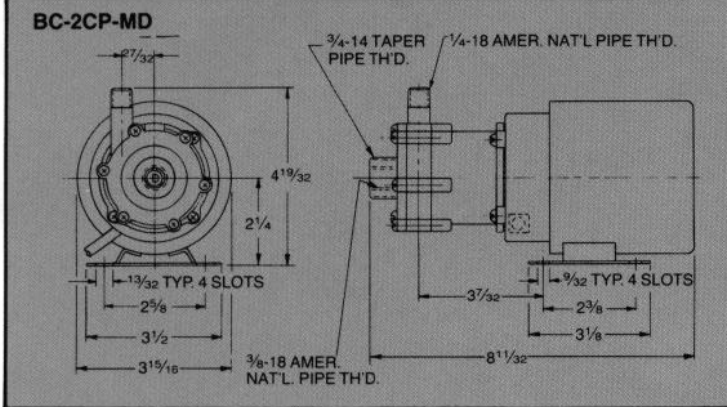
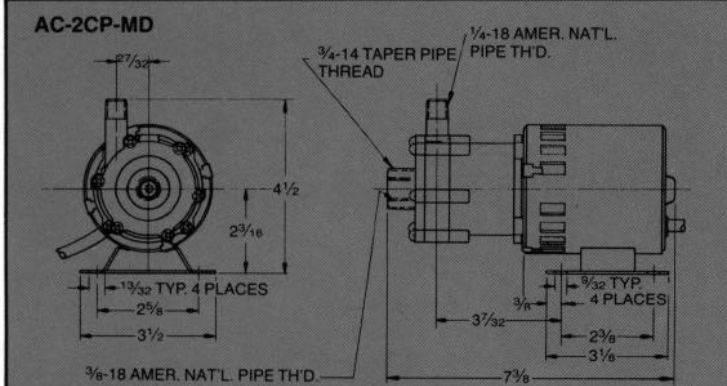
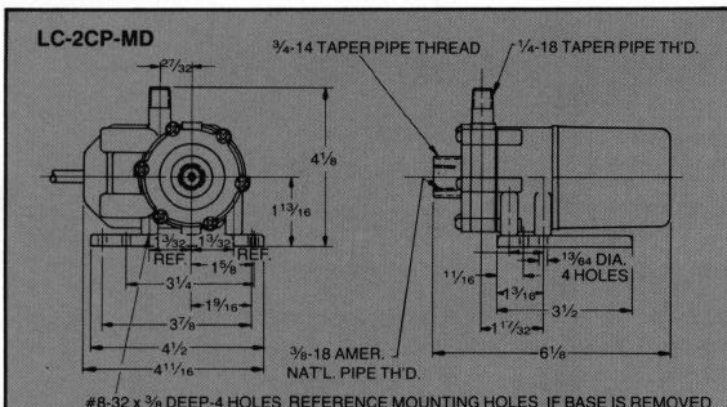
AC-2C-MD

2CP-MD



MADE IN USA

Photographs, dimensional drawings and flow curves may vary depending on the current motors being used. Contact your local distributor for accurate current data for layout purposes.



ELECTRIC MOTORS

Model	Max. Flow GPM	Max. Head Ft.	Inlet	Outlet	HP	RPM	Volts*	PH	Hz	Watts	Amp	Motor Type	Electrical Connection	Materials* in Contact with Solution	Max. Int. Press PSI	Max. Liquid Temp. °F	Wt. Packed Lbs.
2CP-MD	5	13			1/35	3200	115	1	50/60	54	1.0	SUB Blue ▲	6 ft. SJT	Epoxy, Polypropylene, Ceramic, Viton,* SJT cord, Stainless Steel	50	130	5
LC-2CP-MD	5	13			1/35	3200	115	1	50/60	54	1.0	TE/SUB Maroon △		Polypropylene, Ceramic, Viton,* 316 Stainless Steel	25	130	5
AC-2C-MD	5.5	13.5	3/8" FPT and 3/4" MPT	1/4" MPT	1/40	3450	115	1	50/60	70	1.0	AC		Polypropylene, Ceramic, Buna N, 316 Stainless Steel, Ceramic magnet	50	190	4 1/2
AC-2CP-MD	5	13			1/40	3450	115	1	50/60	70	1.0	AC	3 ft. SJO	Polypropylene, Ceramic, Viton,* Ceramic magnet	50	190	4 1/2
AC-2AP-MD	5	13	3/4" OD Smooth	1/2" OD Smooth	1/40	3450	115	1	50/60	70	1.0	AC		Polypropylene, Ceramic, Viton,* Ceramic magnet	50	190	4 1/2
BC-2CP-MD	5	13	3/8" FPT and 3/4" MPT	1/4" MPT	1/40	3450	115	1	50/60	70	1.0	BC		Polypropylene, Ceramic, Viton,* Poly encased magnet	50	190	6 1/2
BC-2AP-MD	5	13	3/4" OD Smooth	1/2" OD Smooth	1/40	3450	115	1	50/60	70	1.0	BC		Polypropylene, Ceramic, Viton,* Poly encased magnet	50	190	6 1/2

AIR MOTORS

Model	Max. Flow GPM	Max. Head Ft.	Inlet	Outlet	HP	RPM	Max. Air Press. PSI	Max. CFM Req'd.	Motor Type	Materials* in Contact with Solution	Max. Int. Press PSI	Max. Liquid Temp. °F	Wt. Packed Lbs.
AC-2CP-MD-AM	6.2	32	3/8" FPT and 3/4" MPT	1/4" MPT	1/8	3950	23	4	AM	Polypropylene, Ceramic, Viton,* Ceramic magnet	50	190	4
BC-2CP-MD-AM	6.2	32	3/8" FPT and 3/4" MPT	1/4" MPT	1/8	3950	23	4	AM	Polypropylene, Ceramic, Viton,* Poly encased magnet	50	190	4

*Other materials and voltages available on special order.
 ♦ RPM at wide open flow and 0 head, RPM increases as head is increased.

▲ Blue color epoxy indicates that pump must be run fully submerged.
 △ Maroon color epoxy indicates pump can be run in open air or submerged.