

# SERIES 1 & 893

## Seal-less Magnetic Drive Pumps

These versatile pumps are widely used in a broad range of applications including photographic equipment, refrigeration systems and ornamental displays. The series includes submersible models as well as models that can be used submerged or in open air. Other materials and voltages in addition to those shown are available on special order.

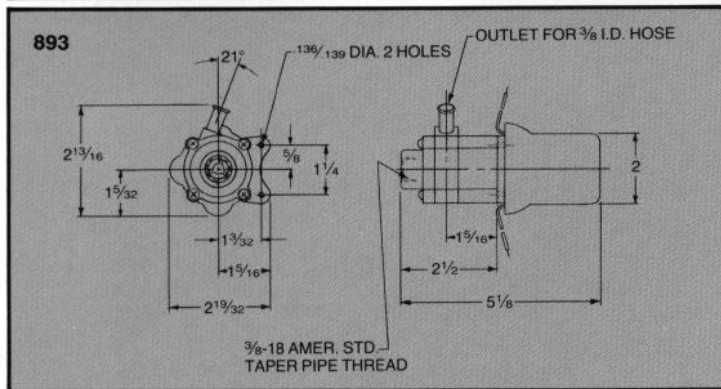
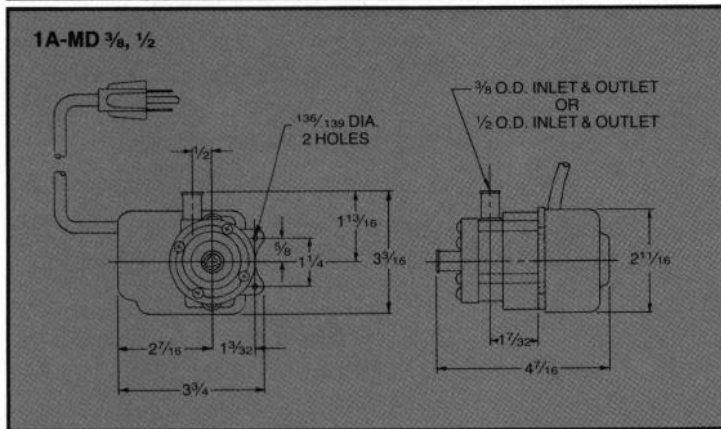
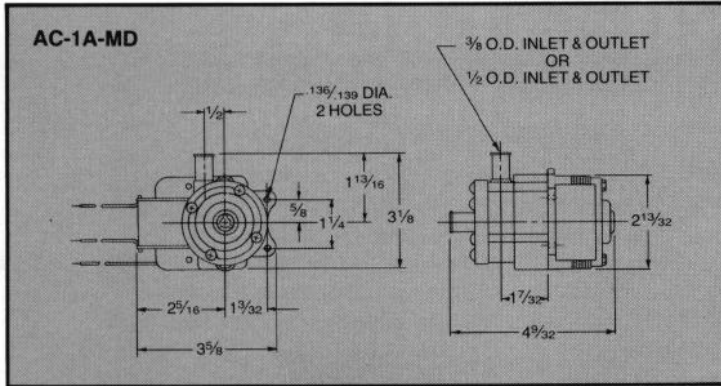
1A-MD

1U-MD

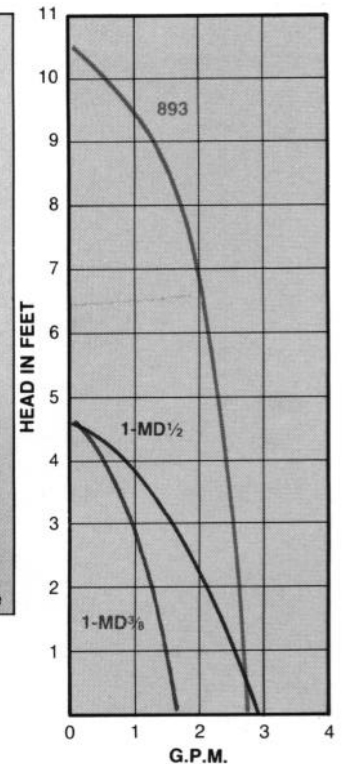
893-04

AC-1A-MD

893-03



Photographs, dimensional drawings and flow curves may vary depending on the current motors being used. Contact your local distributor for accurate current data for layout purposes.



ELECTRIC MOTORS														Max. Int. Press. PSI	Max. Liquid Temp. °F	Wt. Packed Lbs.	
Model	Max. Flow GPM	Max. Head Ft.	Inlet	Outlet	HP	RPM	Volts*	PH	Hz	Watts	Amp	Motor Type	Electrical Connection	Materials* in Contact with Solution			
AC-1A-MD	3.0	4.6	1/2"OD	1/2"OD								AC	16" loose leads	Polypropylene, Nylon, Buna N, 316 Stainless Steel, Ceramic magnet, Chemloy® washer.	50	190	2.3
AC-1C-MD	3.0	4.6	1/4"MPT	1/4"MPT													
1A-MD 3/8	1.7	4.6	3/8"OD	3/8"OD								TE/SUB		Same as above when pump is used in open air, when submerged, the Epoxy, Noryl® and SJT cord are also in contact with the solution.			
1A-MD 1/2	3.0	4.6	1/2"OD	1/2"OD								TE/SUB	6 ft. SJT w/plug		50	190 open air 160 sub	2.5
1C-MD	3.0	4.6	1/4"MPT	1/4"MPT								TE/SUB					
1U-MD	3.0	4.6	Screen	1/4"MPT								SUB					
893-03	2.7	10.6	3/8"FPT	3/8"OD								AC	Terminals		50	190	1.0
893-04	2.7	10.6	3/8"FPT	3/8"OD	1/150	4000	12	DC	—	12	1.0	SUB	18" loose leads	Noryl® Nylon, Buna N, 316 Stainless Steel, Ceramic magnet, Chemloy washer, plus Epoxy & PVC wire on the sub pump.	50	190 open air 160 sub	1.2
893-05	2.7	10.6	3/8"FPT	3/8"OD								AC	Terminals		50	190	1.0
893-06	2.7	10.6	3/8"FPT	3/8"OD	1/150	4000	24	DC	—	12	.5	SUB	18" loose leads		50	190 open air 160 sub	1.2

\* Other materials and voltages available on special order.