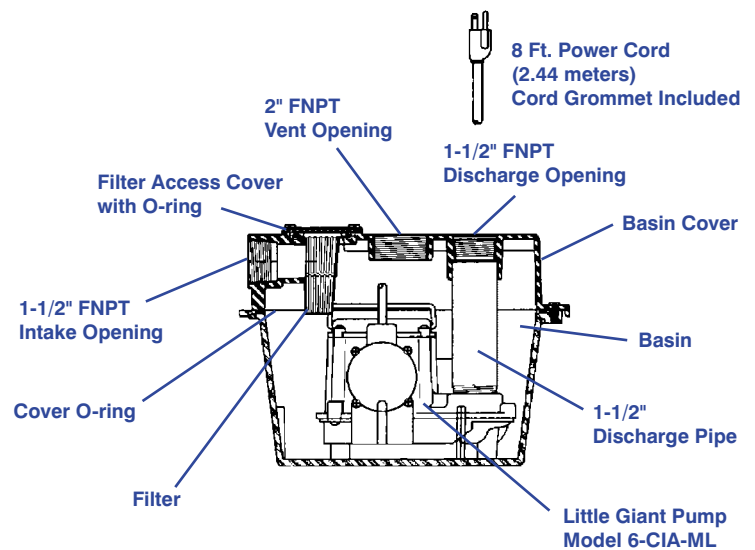


WRSC-6



Features

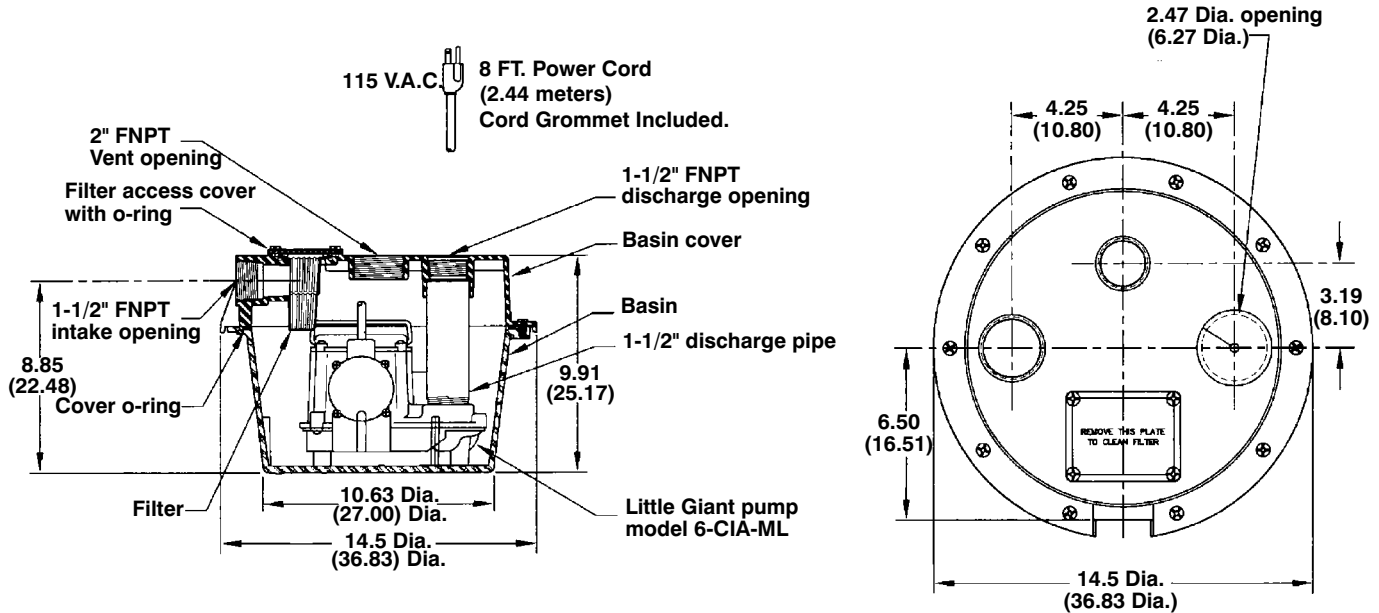
- Pump made of Cast Iron housing with protective epoxy coating for corrosion resistance
- Screened intake
- 3/10 HP motor with thermal overload protection
- Automatic diaphragm pressure switch enclosed in nylon housing with "on" level at 4" - 7" and "off" level at 1" - 3"
- Compact design for limited space applications
- Basin made of polypropylene, light weight, and corrosion resistant
- Basin designed with o-rings to provided a water tight seal
- Basin cover comes with a removable filter screen for easy cleaning
- Cover comes with 1-1/2" FNPT discharge, a 1-1/2" FNPT intake opening, 2" FNPT vent opening and a rubber cord grommet to fit cord exit hole
- IAPMO listed basin
- Pre-assembled ready to be installed



The compact "DRAINOSAUR" removes water from laundry trays, lavatory sinks, wet bar sinks, dehumidifiers, air conditioners (condensate), water softeners, etc. Installs above floor, no need to dig a sump. Unit is pre-assembled and ready-to-install.

Little Giant Pump Co.

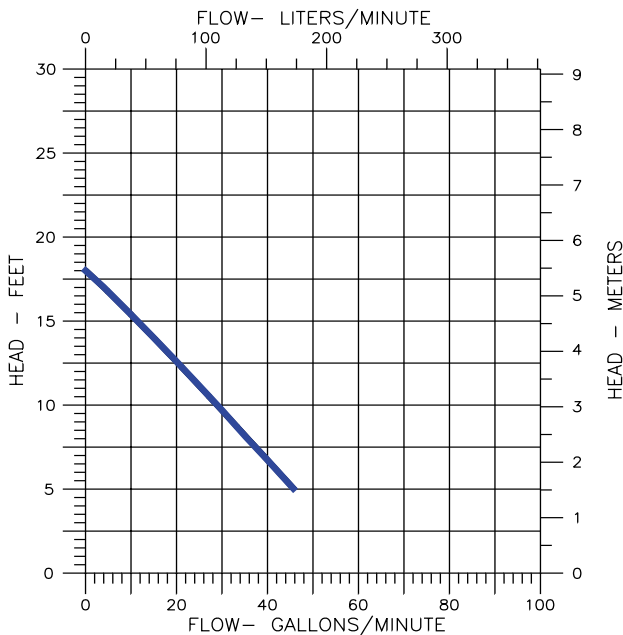
WRSC-6



Specifications

| Model No. | Item No. | Discharge | Listing | H.P. | Volts | Hz | Running Amps/Watts | Performance GPM @ head | | | | Weight | Dimensions (W x H.) |
|-----------|----------|-----------|--------------|------|-------|-------|--------------------|------------------------|-----|-----|---------|--------|---------------------|
| | | | | | | | | 5' | 10' | 15' | Shutoff | | |
| WRSC-6 | 506065 | 1-1/2" | UL/CSA/IAPMO | 3/10 | 115 | 60 | 9/720 | 45 | 29 | 12 | 18' | 25 | 14.50 x 9.91 |
| WRSC-6 | 506066 | 1-1/2" | UL/CSA/IAPMO | 3/10 | 230 | 50/60 | 5/720 | 45 | 29 | 12 | 18' | 25 | 14.50 x 9.91 |

UL/CSA Listing for Pump only



Pump Construction

| | |
|-----------------------|---|
| Motor Housing | Epoxy-coated cast iron |
| Impeller Material | Nylon |
| Impeller Type | Non-Clog |
| Volute | Epoxy-coated cast iron |
| Power Cord | SJTW |
| Mechanical Shaft Seal | Carbon and ceramic faces with nitrile bellows |
| Fasteners | Stainless steel |
| Shaft | CRS |
| Bearings | Upper and lower sintered sleeve bearings |

Basin Construction

| | |
|--------------------------------|---------------|
| Basin/Cover | Polypropylene |
| Basin Fluid Capacity (Approx.) | 3.5 gallons |
| Discharge Size | 1-1/2" FNPT |
| Intake Size | 1-1/2" FNPT |
| Vent Size | 2" FNPT |



ISO 9001 CERTIFIED

Little Giant Pump Co.

PO Box 12010

Okla. City, OK 73157

Phone: 405.947.2511

Fax: 405.951.5674

www.LittleGiantPump.com

Form No. 994349 - 11/99