

Little GIANT[®]

Pump Company

TE-7-MD-CK



Features

- Thermally Protected, Totally Enclosed, Fan Cooled, Capacitor Start Motor
- Ball Bearings
- Conduit Box (Must be field wired)
- Specific Gravity to 1.1
- Fluid Temperature to 200 Degrees F.
- Ambient Air Temperature to 77 Degrees F.
- NOTE: Consult your local distributor or the factory for applications with higher ambient temperatures, specific gravities and viscosities.

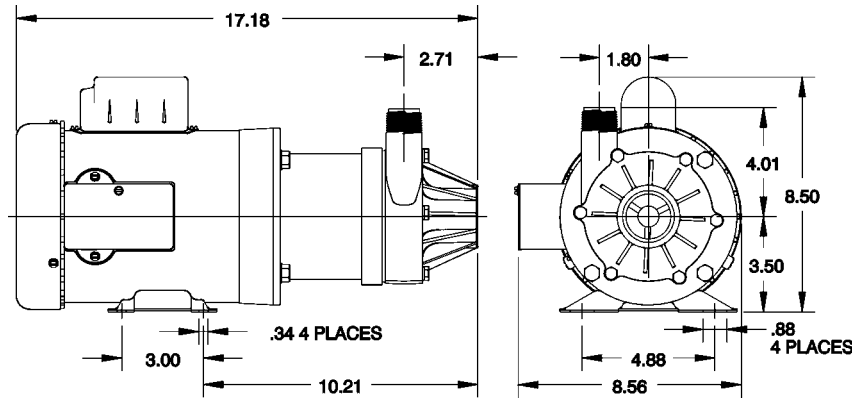
Construction

- Volute — Carbon-filled Kynar[®]
- Backplate — Carbon-filled Kynar[®]
- Impeller — Carbon-filled Kynar[®] w/Carbon-filled Teflon (Chemloy) Bushing
- Shaft — Ceramic (Silicon Carbide on 587639)
- Thrust Washers — Ceramic (Silicon Carbide on 587639)
- O-Ring — Viton[®] (Teflon on 587639)

The Little Giant MD-CK series features leakproof, seal-less magnetic drives and are designed for in-line, non submersible use. Volute, magnet housing and impeller are carbon-filled Kynar[®] for excellent chemical resistance. Ceramic shaft and thrust washers are 99.5% pure alumina (except 587639 which are Silicon Carbide). Pumping heads are easily rotated, cleaned or serviced with no special tools required. Spindle shaft is supported at both ends to prevent impeller damage during start-up and stop of pump.

Little Giant Pump Co.

TE-7-MD-CK



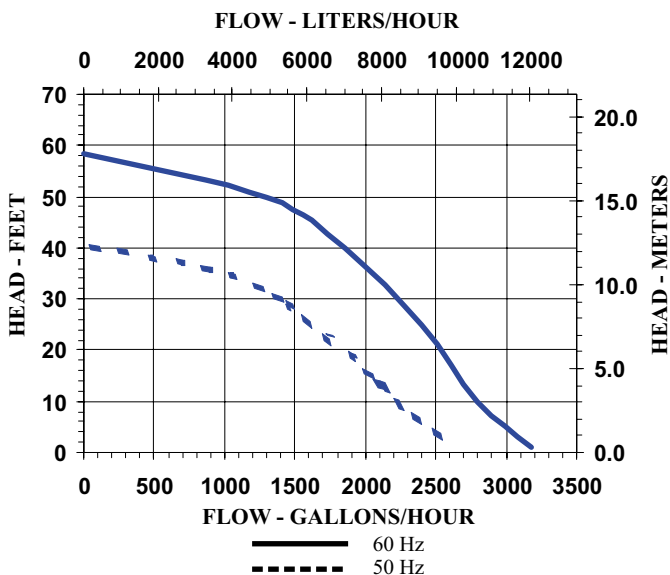
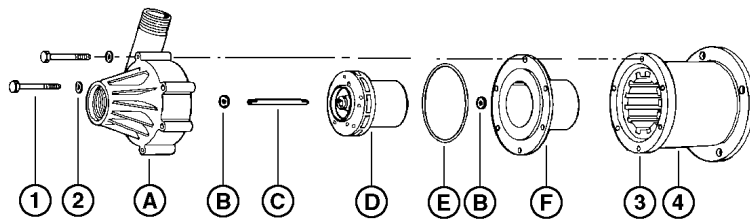
NOTE: Designs and dimensions may vary for various reasons (i.e. type of motor). This information should be used as general guide rather than an unqualified guarantee. Specifications are subject to change without prior notice.

Specifications

Model No.	Item No.	Intake	Discharge	Listing(s)	HP	Volts	Hertz	Amps	Watts	Performance (GPH @ Head)					Shut Off Feet	PSI	Pwr. Cord (ft)	Weight (Lbs.)
										1'	10'	25'	40'	50'				
TE-7-MD-CK	587600	1-1/2" FNPT	1" MNPT	UR/C-CSA	3/4	115	50/60	10.4/11.8	1080/1230	3150	2800	2400	1850	1300	58.5	25.3	N/A	40.00
TE-7-MD-CK	587639	1-1/2" FNPT	1" MNPT	UR/C-CSA	3/4	115	50/60	10.4/11.8	1080/1230	3150	2800	2400	1850	1300	58.5	25.3	N/A	40.00
TE-7-MD-CK	587603	1-1/2" FNPT	1" MNPT	UR	3/4	230	50/60	2.4/2.9	1080/1230	3150	2800	2400	1850	1300	58.5	25.3	N/A	40.00
3 PHASE						460	50/60	1.2/1.45	1080/1230									
7-MD-CK	587103	1-1/2" FNPT	1" MNPT															8.00

Replacement Parts

ITEM	PART NO.	DESCRIPTION
A	187015	Volute
B	187085	Thrust Washer, Ceramic
B	187058	Thrust Washer, Silicon Carbide for 587639
C	187056	Shaft, Ceramic
C	187057	Shaft, Silicon Carbide for 587639
D	187174	Impeller
E	924016	O-Ring, Viton
E	924019	O-Ring, Teflon, for 587639
F	187024	Backplate
1	903712	Bolt
2	921050	Washer
3	187121	Drive Magnet
4	187073	Mgt. Bracket



Little Giant Pump Co.
 PO Box 12010
 Okla. City, OK 73157
 Phone: 405.947.2511
 Fax: 405.228.1550
www.LittleGiantPump.com