

Little GIANT[®]

Pump Company

PES-120-PW SERIES



Features

- Energy efficient
- Corrosion resistant body
- Built-in flow control
- Bottom intake
- 6' power cord
- 4' maximum lift
- 8 watts
- Discharge accepts 3/8" or 1/2" I.D. tubing

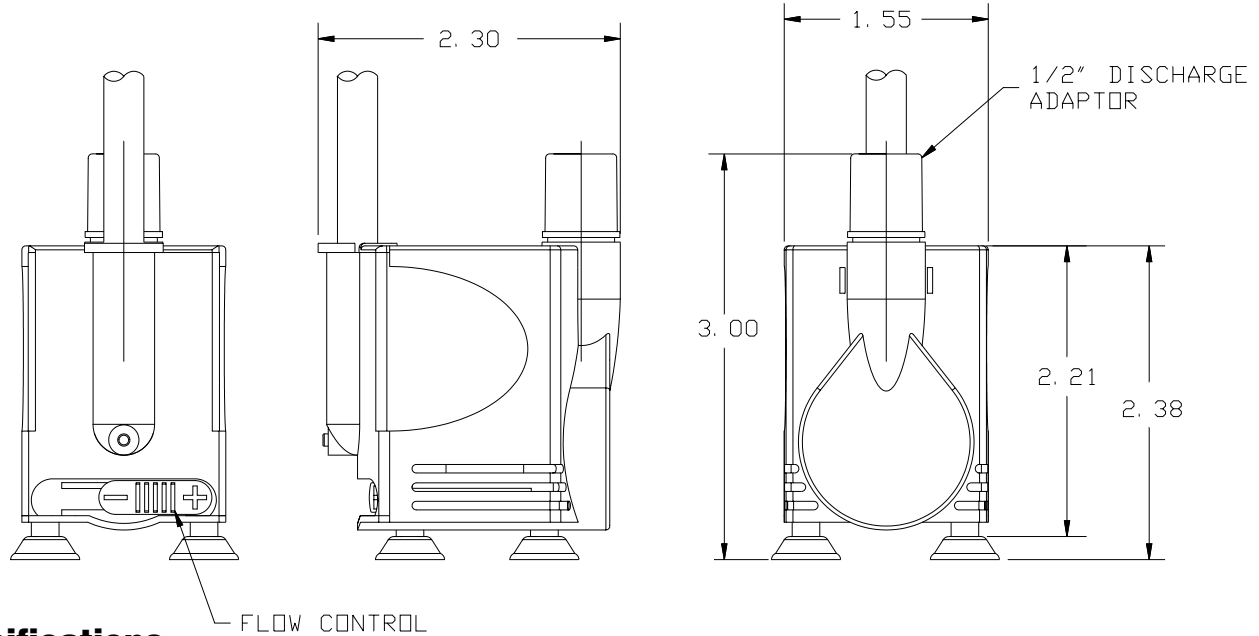
Construction

- Motor — Wet-Rotor (Hysteresis) Epoxy Encapsulated
- Intermittent Liquid Temp. up to — 120° F
- Discharge — 3/8" or 1/2" Slip
- Housing — ABS
- Cover — ABS
- Volute — ABS
- Impeller — Acetal
- Screen — ABS

This wet-rotor pump, often referred to as a magnetic-drive pump by other manufacturers, utilizes an epoxy-encapsulated motor and plastic housing. A permanent magnet is attached to the impeller. The magnet acts as the rotor would in a conventional motor. The water being pumped surrounds the rotor, thus the term "wet-rotor". It is seal-less and oil-less. This pump works well in water garden, statuary and some industrial applications. It is compact in design and is the most energy efficient type of pump Little Giant manufactures. The other side of this efficiency is very little starting torque. Therefore, the pump does not produce as much pressure and will not pump water as high as its epoxy-encapsulated, direct-drive counterpart.

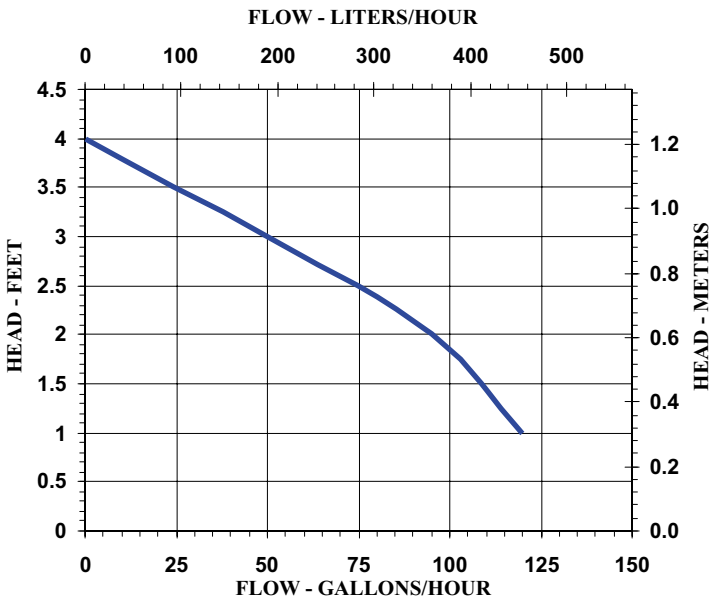
Little Giant Pump Co.

PES-120-PW SERIES



Specifications

Model No.	Item No.	Discharge	Listings	HP	Volts	Hertz	Amps	Watts	Performance (GPH @ Head)			Shut Off		Pwr. Cord (ft)	Weight (Lbs.)
									1'	2'	3'	Feet	PSI		
PES-120-PW	566606	3/8" or 1/2" Slip	UL/CSA	N/A	115	60	0.1	8	120	95	50	4	1.7	6	1.00
PES-120	519120	3/8" or 1/2" Slip	UL/CSA	N/A	115	60	0.1	8	120	95	50	4	1.7	6	1.00



Replacement Parts

Adapter, 1/2"	119114
Cover/Screen	119111
Impeller Assy.	599104
Feet/Discharge	119115

Little Giant Pump Co.
 PO Box 12010
 Okla. City, OK 73157
 Phone: 405.947.2511
 Fax: 405.228.1550
www.LittleGiantPump.com