

# Little GIANT<sup>®</sup>

## Pump Company

### 3E-12N SERIES



#### Features

- For submersed or in-line use
- Epoxy coated die-cast aluminum housing
- Oil-filled motor
- 17.3' maximum lift
- 200 watts
- 1/2" MNPT discharge
- Thermal overload protection

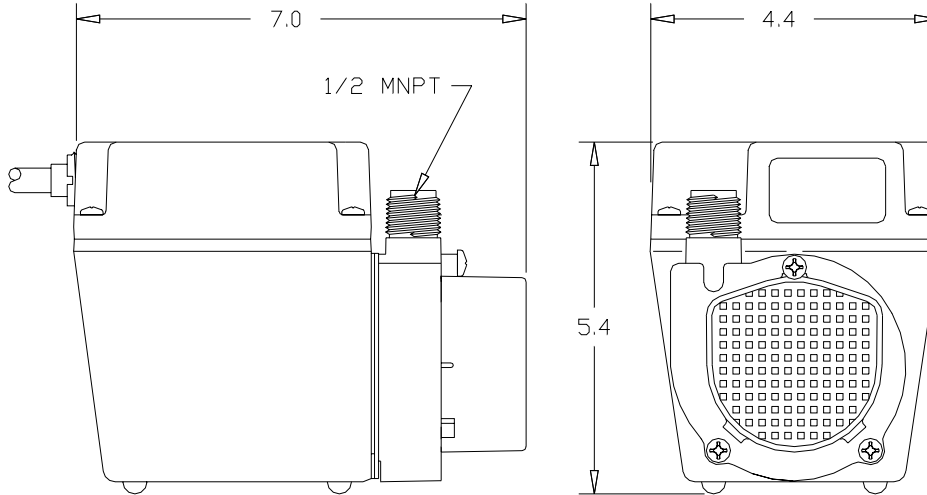
#### Construction

- Motor — 1/15 HP Oil Filled
- Maximum Flow Rate — 500 GPH @ 1'
- Maximum Head — 17.3'
- Intermittent Liquid Temp. up to — 120° F
- Intake — 1/2" FNPT
- Discharge — 1/2" MNPT
- Housing — Epoxy coated cast aluminum
- Cover — Epoxy coated cast aluminum
- Volute — Nylon
- Impeller — Nylon
- Shaft Seal — Viton<sup>®</sup>
- Screen — Polypropylene

Dual purpose oil-filled pump that may be used totally submersed or in-line (fed with pipe or hose). For commercial, industrial and home applications including statuary fountains, water displays, air conditioners, machine tool coolants, and many other applications where liquid must be transferred or recirculated. This compact 500 GPH pump features a 1/2" MNPT discharge and 17.3' shut-off head capability.

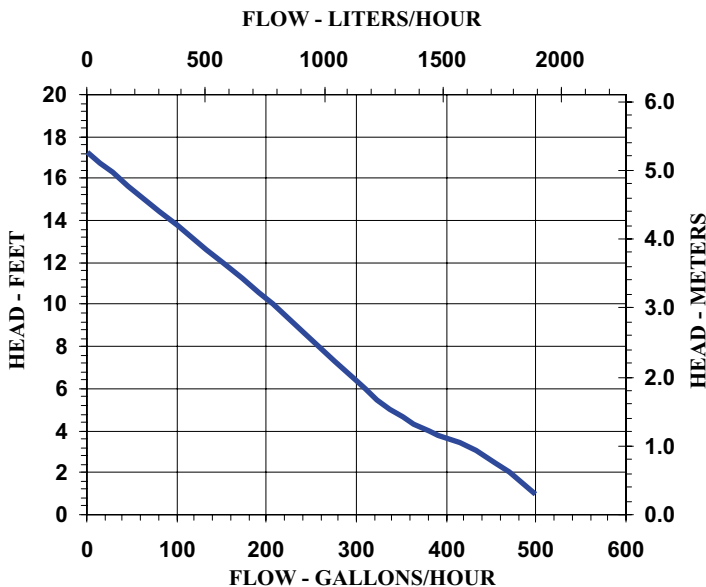
# Little Giant Pump Co.

## 3E-12N SERIES



### Specifications

Model No.	Item No.	Discharge	Intake	Listing(s)	HP	Volts	Hertz	Amps	Watts	Performance (GPH @ Head)				Shut Off		Pwr. Cord (ft)	Weight (Lbs.)
										1'	3'	5'	10'	Feet	PSI		
3E-12N	503103	1/2" MNPT	1/2" FNPT	UL	1/15	115	60	3.2	200	500	435	337	210	17.3	7.5	6	8.00
3E-12N	503403	1/2" MNPT	1/2" FNPT	UL	1/15	115	60	3.2	200	500	435	337	210	17.3	7.5	6	8.00
3E-12N	503500	1/2" MNPT	1/2" FNPT	UL	1/15	127	60	3.2	200	500	435	337	210	17.3	7.5	6	8.00
3E-12NT	503186	1/2" MNPT	1/2" FNPT	UL/CSA	1/15	115	60	3.2	200	500	435	337	210	17.3	7.5	10	8.25



### Replacement Parts

Volute	103330
Impeller	103437
Screen	102909
Gasket	103601

**Little Giant Pump Co.**  
 PO Box 12010  
 Okla. City, OK 73157  
 Phone: 405.947.2511  
 Fax: 405.228.1550  
[www.LittleGiantPump.com](http://www.LittleGiantPump.com)