

Little GIANT[®]

Pump Company

35-0M SERIES



Features

- High-pressure (35 PSIG)
- Nylon pump head
- Ryton[®] impeller
- Carbon/Ceramic shaft seal
- 3/8" Barbed intake & discharge
- 1/4" Barbed By-pass adapter
- Double-insulated motor

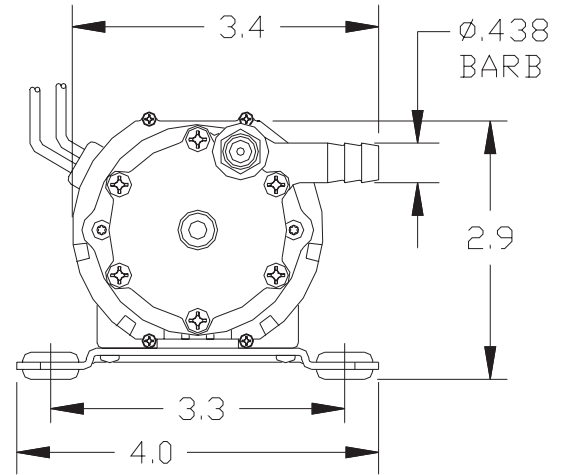
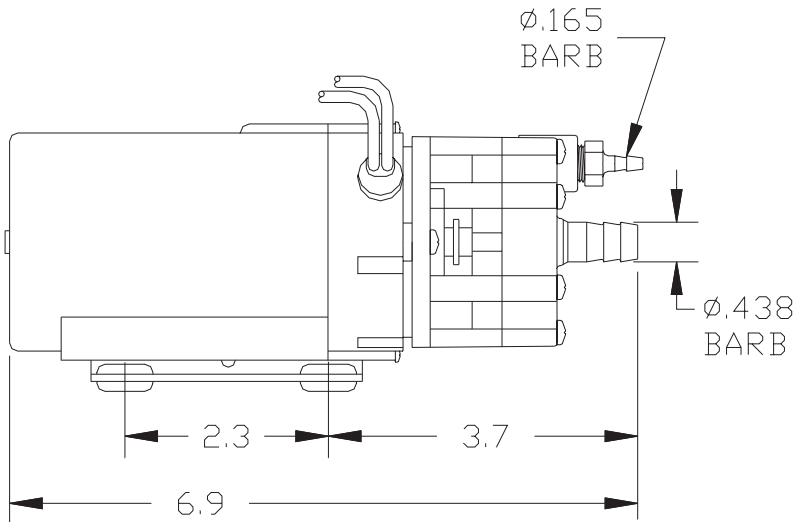
Construction

- Motor — 1/11 HP
- Intermittent Liquid Temp. up to — 120° F
- Intake — 3/8" O.D.
- Discharge — 3/8" O.D.
- Housing — Nylon
- Cover — N/A
- Volute — Nylon
- Impeller — Ryton[®]
- Shaft Seal — Carb/Ceram

Non-submersible, high pressure pump for carpet cleaners, dispenser-displays and pressure-washer applications. Nylon pump head, Ryton[®] impeller, 3/8" barbed O.D. intake and discharge connections. 1/4" barbed O.D. by-pass adapter included. Double-insulated motor (non-replaceable brushes last 500 to 1,000 hours) with 94-V-O thermoplastic housing.

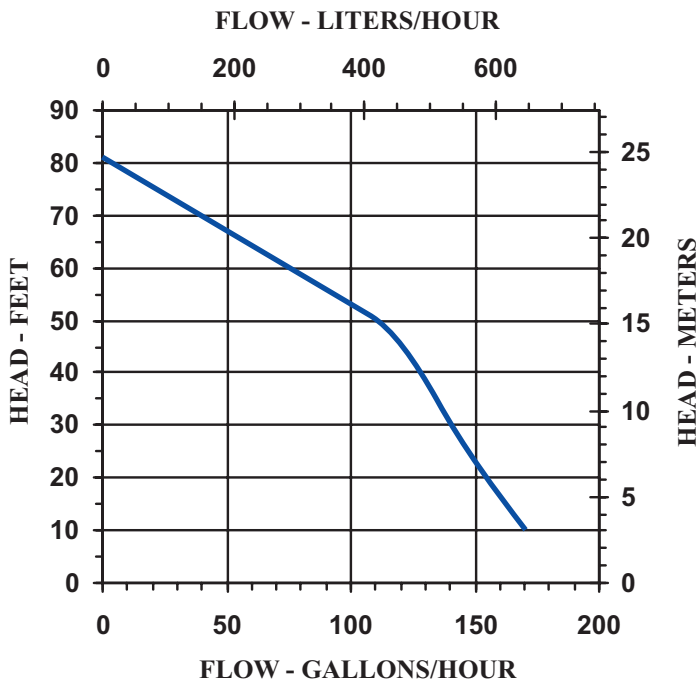
Little Giant Pump Co.

35-OM SERIES



Specifications

Model No.	Item No.	Discharge	Intake	Listings	HP	Volts	Hertz	Amps	Watts	Performance (GPH @ Head)			Shut Off		Pwr. Cord (ft)	Weight (Lbs.)
										10'	30'	50'	Feet	PSI		
35-OM	532002	3/8" Barbed	3/8" Barbed	UR	1/11	115	60	1.25	132	170	140	110	81	35.1	2	2.70
35-OM	532012	3/8" Barbed	3/8" Barbed		1/11	230	50/60	0.6	132	170	140	110	81	35.1	2	2.70



Replacement Parts

Volute	132101
Impeller	599106
Washer	921066
Hose Adaptor	941034
Bypass Cap	132410
Motor Base	132005
Grommet	925008

Little Giant Pump Co.
 PO Box 12010
 Okla. City, OK 73157
 Phone: 405.947.2511
 Fax: 405.228.1550
www.LittleGiantPump.com