

Little GIANT[®]

Pump Company

1-MA SERIES



Features

- Epoxy coated die-cast aluminum housing
- Oil-filled motor
- 7' maximum lift
- 70 watts
- 1/4" MNPT Discharge
- Thermal overload protection on 521500 and 521286
- For submersible use only

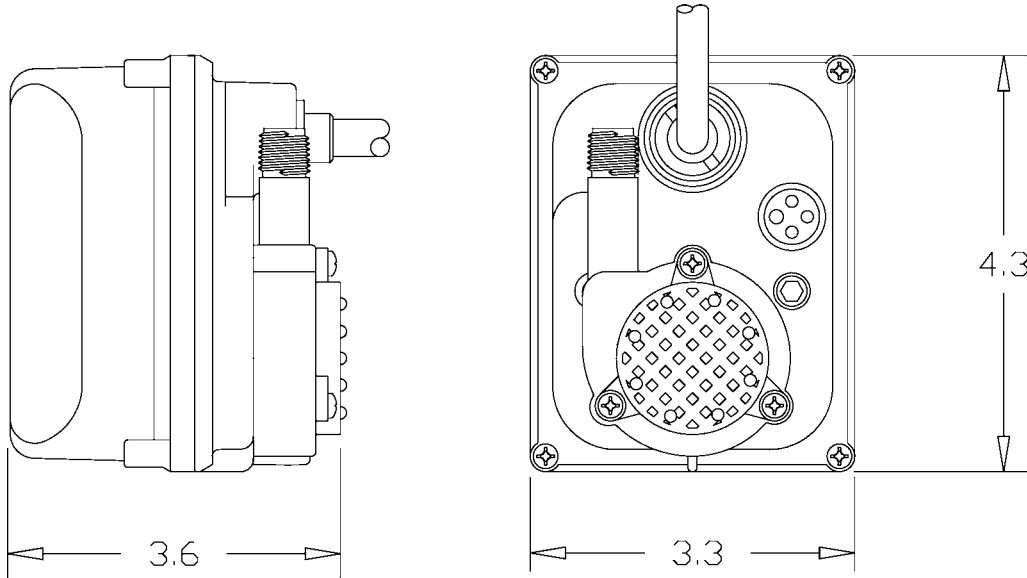
Construction

- Motor — 1/200 HP Oil Filled
- Intermittent Liquid Temp up to — 120° F
- Intake — N/A
- Discharge — 1/4" MNPT
- Housing — Epoxy coated cast aluminum
- Cover — Epoxy coated cast aluminum
- Volute — Polypropylene
- Impeller — Polypropylene
- Shaft Seal — Nitrile
- Screen — Polypropylene

Small submersible oil-filled pump with epoxy coated cast aluminum housing. For commercial, industrial and home applications including statuary fountains, water displays, air conditioners, machine tool coolants, and many other applications where liquid must be transferred or recirculated. This compact 170 GPH pump features a 1/4" MNPT discharge, 7' shut-off head capability, and screened inlet.

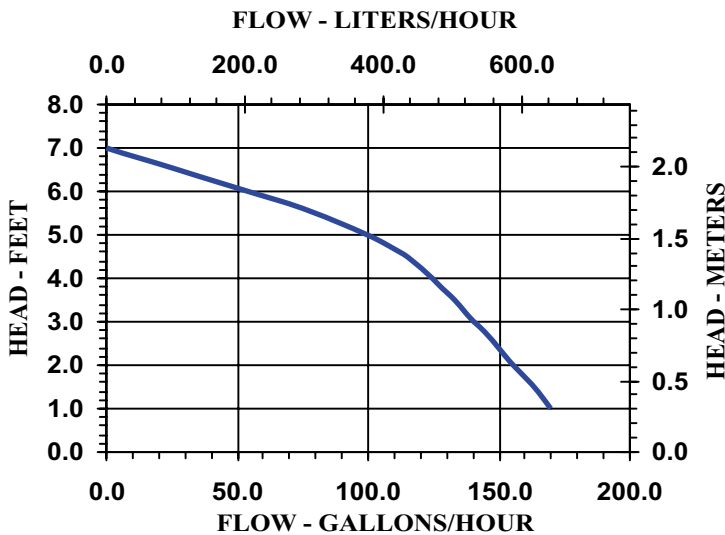
Little Giant Pump Co.

1-MA SERIES



Specifications

| Model No. | Item No. | Discharge Size | Listing(s) | HP | Volts | Hertz | Amps | Watts | Performance (GPH @ Head) | | | Shut Off | | Pwr. Cord (ft) | Weight (Lbs.) |
|-----------|----------|----------------|------------|-------|-------|-------|------|-------|--------------------------|-----|-----|----------|-----|----------------|---------------|
| | | | | | | | | | 1' | 3' | 5' | Feet | PSI | | |
| 1-MA | 521203 | 1/4" MNPT | UL | 1/200 | 115 | 60 | 1.1 | 70 | 170 | 140 | 100 | 7 | 3.0 | 6 | 3.17 |
| 1-MA | 521500 | 1/4" MNPT | | 1/200 | 127 | 60 | 1.1 | 70 | 170 | 140 | 100 | 7 | 3.0 | 6 | 3.17 |
| 1-MAT | 521286 | 1/4" MNPT | UL/CSA | 1/200 | 115 | 60 | 1.1 | 70 | 170 | 140 | 100 | 7 | 3.0 | 10 | 3.33 |



Replacement Parts

| | |
|----------|--------|
| Volute | 101350 |
| Impeller | 101441 |
| Screen | 122903 |

Little Giant Pump Co.

PO Box 12010
Okla. City, OK 73157

Phone: 405.947.2511
Fax: 405.228.1550

www.LittleGiantPump.com