

VIKING THRUDECK & BULKHEAD

FEATURES & BENEFITS

- Viking Thrudeck – For mounting through deck or through bulkhead
- Viking Bulkhead – For mounting on bulkhead or deck
- Dimensions:
 - Diameter - 6½" (164 mm)
 - Height - 5¼" (133 mm)
 - Handle length - 11¼" (285 mm)
- Connections for either 1½" or 1" hose
- Detachable lever
- Lever can be mounted in 8 different positions compared with the flow direction
- Inspection cover for easy cleaning
- Screws and shaft in stainless steel
- Nitrile rubber details

Always a working pump for your safety

When the power is out you can always depend on the Viking hand-operated diaphragm bilge pump from SPX FLOW Johnson Pump Marine. The pump is available in two models for various installation alternatives. It can be mounted behind walls, through deck and under bulkheads.

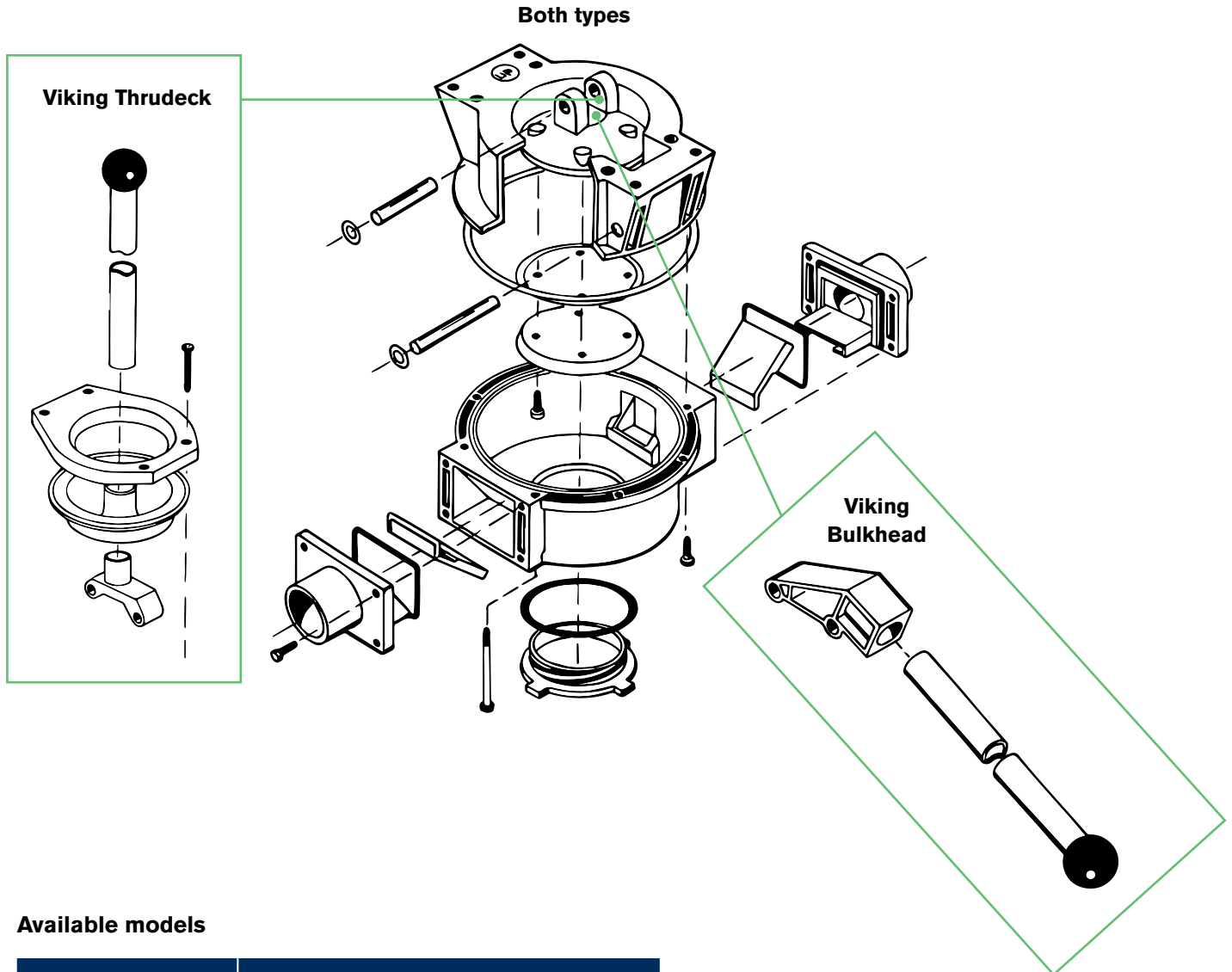
Viking Thrudeck and Viking Bulkhead are designed for the best pump efficiency using the slightest effort. Due to angled valves the pump resistance is very small. The capacity is approximately 24 GPM (95 l/min).

The diaphragm pump is easy to install. There are built-in nuts for mounting behind walls or through bulkheads. All you have to do is to drill a 3½" hole for the lever and four small holes for the screws.

The Viking Bilge Pump can also be used for pumping toilet waste due to the large valve openings. Since all elastomers are made of nitrile, the Viking pump is also suitable as a refueling pump for diesel.



TECHNICAL SPECIFICATIONS



Available models

PART NUMBER	DESCRIPTION
70-50005	Viking Hand Pump Thrudeck 1½"
70-50025	Viking Hand Pump Thrudeck 1"
70-50007	Viking Hand Pump Bulkhead 1½"
70-50027	Viking Hand Pump Bulkhead 1"

SPXFLOW®

SPX FLOW, Inc. reserves the right to incorporate our latest design and material changes without notice or obligation. Design features, materials of construction and dimensional data, as described in this bulletin, are provided for your information only and should not be relied upon unless confirmed in writing. Please contact your local sales representative for product availability in your region. The green "➤" is a trademark of SPX FLOW, Inc.

For more information, visit www.johnsonpumpmarine.com