

VIKING POWER 16

FEATURES & BENEFITS

- Specifically designed to pump wastewater
- Easy to install, even in tight spaces
- Quiet operation
- Easy, low-cost maintenance
- High-impact glass-fiber reinforced nylon body
- Ball-bearing supported transmission
- Non-choke valves – no filters required
- Self-priming up to 9.8 feet (3 meters)
- Can be run dry and can pump air/water mixture
- Robust single diaphragm
- KlickTite™ XL connectors standard
- 12V or 24V motors
- Low power consumption
- Complies with ISO 15083 small craft bilge pump standard for vessels up to 39.4 feet (12 meters)

Compact shower drain, bilge & wastewater pump

Viking Power 16 is a single-chamber, self-priming diaphragm pump that can be set up in several different pump/motor configurations. It is easy to install anywhere after the drain outlet in the wastewater system or as a bilge pump in any leisure craft — new or used.

Its non-choke valves mean that no in-line filters are necessary, and the pump can not only be run dry, it can also handle a mixture of air and water without difficulty. The Viking Power 16 is self-priming up to a height of 9.8 feet (3 meters).

With its low pulse and muffled rubber bracket, this pump offers quiet operation. Specifically designed to pump wastewater, the Viking Power 16 has been built to last, and engineered for easy maintenance.

When it comes time to replace the premium grade reinforced nitrile rubber diaphragm, you can put in a spare without even removing the pump from the system. Delivered with 1" hose and 3/4" hose 1/2" BSP KlickTite™ XL connectors.



Viking Power16

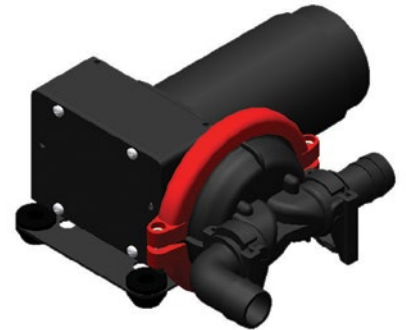
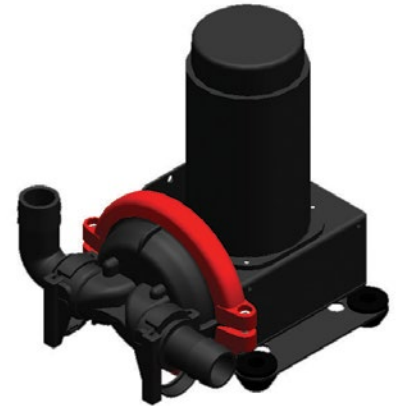
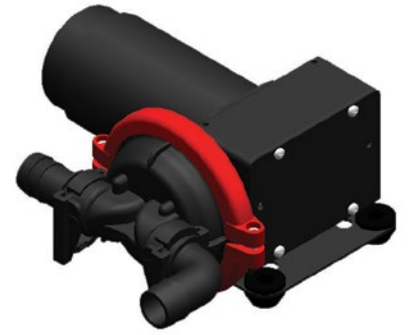
TECHNICAL SPECIFICATIONS

VIKING POWER 16 GENERAL INFORMATION

CAPACITY	4.5 GPM (16 l/min) open flow
	4 GPM at 1.5 psi (15 l/min at 0.1 bar)
MAX. HEAD	9.8 feet (3 meters)
MAX. LIFT	9.8 feet (3 meters)
MAX. HEAD AND LIFT	13.1 feet (4 meters)
DIMENSIONS	7.32" long x 9.25"/7.13" wide x 4.65"/8.03" high (186 mm long x 235/181 mm wide x 118/204 mm high)
CONNECTION	KlickTite™ XL connectors for 1" hose or 3/4" hose and 1/2" BSP threads; straight 90° available as extra accessory
WEIGHT	5.7 lbs (2.6 kg)
MOTOR	2.3 amp (12V) 1.2 amp (24V) at 1.5 psi (0.1 bar) 12/24V DC (with built-in thermal protection)
BODY	Nylon, glass-fiber reinforced
VALVES	Nitrile rubber
DIAPHRAGM	Nitrile rubber

Available models

ORDER NUMBER	DESCRIPTION
10-13350-03	Viking Power 16, 12 V
10-13350-04	Viking Power 16, 24 V



SPXFLOW®

SPX FLOW, Inc. reserves the right to incorporate our latest design and material changes without notice or obligation. Design features, materials of construction and dimensional data, as described in this bulletin, are provided for your information only and should not be relied upon unless confirmed in writing. Please contact your local sales representative for product availability in your region. The green "S" is a trademark of SPX FLOW, Inc.

For more information, visit www.johnsonpumpmarine.com