

HEAVY DUTY HIGH FLOW LIVEWELL 4000

FEATURES	BENEFITS	COMPETITIVE ADVANTAGES
Mechanical seal	Less service or repair necessary	Longer life expectancy
12-pole motor with double ball bearings	Less wear and tear on shaft	More stable and smoother running. Longer life expectancy
Hermetically welded	Water-proof design	No leakage and longer life expectancy
ABS plastic	Withstands a higher impact	No corrosion – longer life expectancy
180 cm (70 in) wires	To connect over long distance	Keep connection dry
Water cooled motor	Keeps the motor cool	Longer life-expectancy of motor
Heavy-duty plastic pedestal	Vibration tough	Long-lasting design in tough conditions
CE certified	ISO8849 @ ISO8846 approved	Ignition protection
12V & 24V available	Available in necessary voltage	Cover many applications
Heavy-duty, double barb connector	Reliable in heavy duty application	Crack-resistant when tightening hose clamps in heavy duty applications

AVAILABLE SIZES

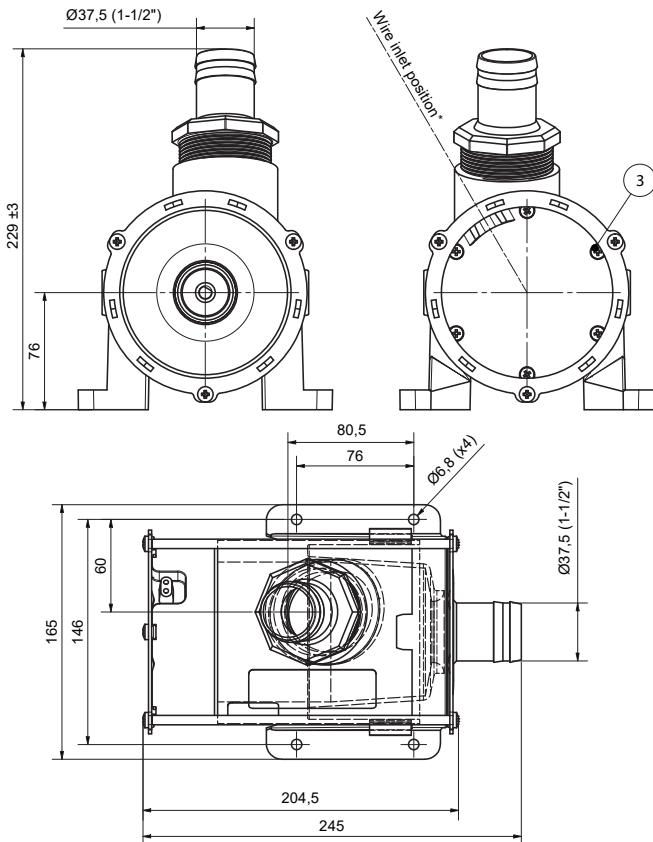
4000 GPH 12V DC, Fuse size: 20 A
 4000 GPH 24V DC, Fuse size: 15 A
 245mm x 165 mm x 229 mm (L x W x H)
 1 1/2" full hose barb connections



Livewell 4000

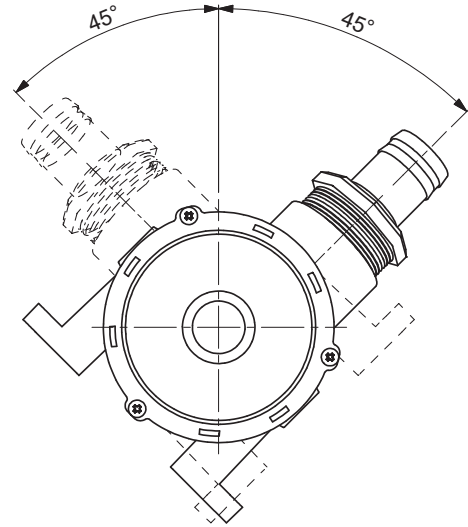
TECHNICAL SPECIFICATIONS

Pump Dimensions



Installation Positions

±45° allowed from upright position.



Part Numbers

MODEL NUMBER	PART NUMBER
12V Pump	32-4003-01
12V 2-way ON-OFF Panel	820004
24V Pump	32-4003-02
24V 2-way ON-OFF Panel	820004-24V

Standard Features:

BODY	Thermoplastic	FUSE SIZE	12V – 20 A 24V – 15 A
SHAFT	SS2343	SHAFT SEAL	Nitrile Rubber
SHAFT SEAL	Mechanical seal, carbon/ceramic	WIRE SIZE	2 mm ² /14 GA
HOSE SIZE	1½" (38mm)	WEIGHT	2,8 kg (6.2 lbs)
CAPACITY	Straight: 250 l/min (4000 GPH) 1 m (3.3 ft) head: 164 l/min (2599 GPH)	VOLTAGE	13,6/27,2 VDC



SPX FLOW, Inc. reserves the right to incorporate our latest design and material changes without notice or obligation. Design features, materials of construction and dimensional data, as described in this bulletin, are provided for your information only and should not be relied upon unless confirmed in writing. Please contact your local sales representative for product availability in your region. The green "S" is a trademark of SPX FLOW, Inc.

For more information, visit www.spxflow.com/johnson-pump-marine