

CM10 AND CM30 - DC DRIVEN CIRCULATING PUMP

FEATURES & BENEFITS

- Maximum flow @ 1.5 psi (0.1 bar)
CM10:
4 GPM (15 l/min) with connection 5/8" (Ø 16 mm)
5 GPM (18.5 l/min) with connection 3/4" (Ø 20 mm)
CM30:
5.3 GPM (20 l/min) with connection 5/8" (Ø 16 mm)
6.9 GPM (26 l/min) with connection 3/4" (Ø 20 mm)
- Enclosed (as per IP67) permanent magnet, ball bearing mounted motor, designed for continuous operation
- Ambient operational temperature range: -40°F to +158°F (-40°C to +70°C)
- Liquid temperature range: -40°F to +212°F (-40°C to +100°C)
- 12V or 24V motors
- High torque for safe starts under difficult conditions
- Compact, low-weight design
- Easy, low-cost maintenance and long service life
- CE-marked
- Complies with Recreational Craft Directive 94/25/EEC: (ISO 8846), (ISO 10133)
- Complies with Electromagnetic Compatibility Directive 2004/108/EC: (EN55014-1: 2006), (EN55014-2: 1997 +A1: 2001), (EN61000-6-3: 2007) (2004/104/EC: 2004 Annex1; paragraph 6.5, 6.6, 6.8 and 6.9)
- RoHS and REACH compliant

Hot or cold, dirty or wet – The CM10 and CM30 gets the job done

Extreme operational reliability, compact, leak-proof design and the capability of pumping water, antifreeze or coolants under hostile operating conditions are three of the advantages which distinguish the CM10 and CM30 magnetic drive, seal-less pumps from conventional alternatives.

Weather-proof as well as dust-proof, both the CM10 and CM30 can be used in dirty or high humidity situations in vehicles or outdoor applications where the pump may be regularly subjected to road spray, adverse weather conditions or a profuse hosing down during routine maintenance.

The CM10 and CM30 is well adapted for a wide range of demanding applications and operates without problem over a wide range of temperatures while reliably pumping coolants or water over extended periods of time.

Low friction impeller bearings prolong service life and make it possible for the CM10 and CM30 to withstand dry running for up to 30 minutes. The permanently lubricated ball bearing motor also contributes to the up to 5000 hour uninterrupted service rating of this high-tech pump.

For customized OEM solutions, such as motor vehicle heating and cooling, fresh water circulation, or closed circuit solar panels, customers can count on the SPX FLOW Johnson Pump Marine engineering staff for specially tailored CM10 and CM30 packages.

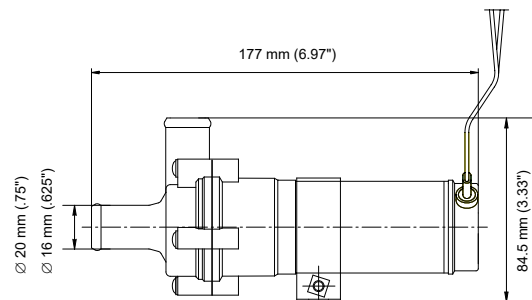


CM10 and CM30

TECHNICAL SPECIFICATIONS

GENERAL INFORMATION

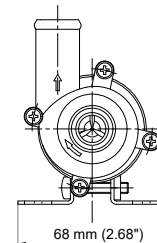
CAPACITY	CM10	5/8" (16 mm) port	4 GPM (15 l/min) at 1.5 psi (0.1 bar)
		3/4" (20 mm) port	5 GPM (18.5 l/min) at 1.5 psi (0.1 bar)
	CM30	5/8" (16 mm) port	5.3 GPM (20 l/min) at 1.5 psi (0.1 bar)
		3/4" (20 mm) port	6.9 GPM (26 l/min) at 1.5 psi (0.1 bar)
IMPELLER		PPS thermoplastic	
O-RING		EPDM	
SHAFT		Stainless steel	
MAGNET HOUSING		PSU	
MOTOR		12/24V D C enclosed (as per IP67) permanent magnet, ball bearing mounted motor, designed for continuous operation	
LIQUID TEMPERATURE		Min -40°F (-40°C), Max +212°F (+100°C)	
PORTS		5/8" (Ø16 mm) or 3/4" (20 mm). *Note: CM30P7-1 available standard with 3/4" (20 mm) hose connection; 5/8" (Ø16 mm) hose connection by request only.	
WEIGHT		CM10: 1.2 lb (0.53 kg), CM30: 1.3 lb (0.6 kg)	
BODY:		PPA thermoplastic	



Directives:

Recreational Craft Directive 94/25/EEC (ISO 8846), (ISO 10133)

Electromagnetic Compatibility Directive 2004/108/EC (EN5501 4-1: 2006), (EN55014-2: 1997 +A1: 2001), (EN61000-6-3: 2007), (2004/104/EC: 2004 Annex1; paragraph 6.5, 6.6, 6.8 and 6.9)



ORDER NUMBER	DESCRIPTION	HOSE CONNECTION	BACK PRESSURE			FLOW	
			BAR	kPA	FT	L/MIN	GPM
10-24501-03/-04	CM10P7-1, 12V/24V	5/8" (16 mm)	0.1	10	3.3	15.0	4.0
			0.15	15	4.9	12.0	3.2
10-24502-03/-04	CM10P7-1, 12V/24V	3/4" (20 mm)	0.1	10	3.3	18.5	5.0
			0.15	15	4.9	14.5	3.9
10-24503-03/-04	CM30P7-1, 12V/24V	5/8" (16 mm)	0.1	10	3.3	20.0	5.3
			0.15	15	6.6	17.5	4.2
10-24504-03/-04	CM30P7-1, 12V/-24V	3/4" (20 mm)	0.1	10	3.3	26.0	6.9
			0.15	15	6.6	22.5	5.2

ORDER NUMBER	DESCRIPTION
10-24501-03	CM10P7-1 12V D IA16
10-24501-04	CM10P7-1 24V D IA16
10-24502-03	CM10P7-1 12V D IA20
10-24502-04	CM10P7-1 24V D IA20
10-24504-03	CM30P7-1 12V D IA20
10-24504-04	CM30P7-1 24V D IA20



SPX FLOW, Inc. reserves the right to incorporate our latest design and material changes without notice or obligation. Design features, materials of construction and dimensional data, as described in this bulletin, are provided for your information only and should not be relied upon unless confirmed in writing. Please contact your local sales representative for product availability in your region. The green "➤" is a trademark of SPX FLOW, Inc.

For more information, visit www.johnsonpumpmarine.com