

## STAINLESS STEEL DECK WASH QUICK CONNECTOR

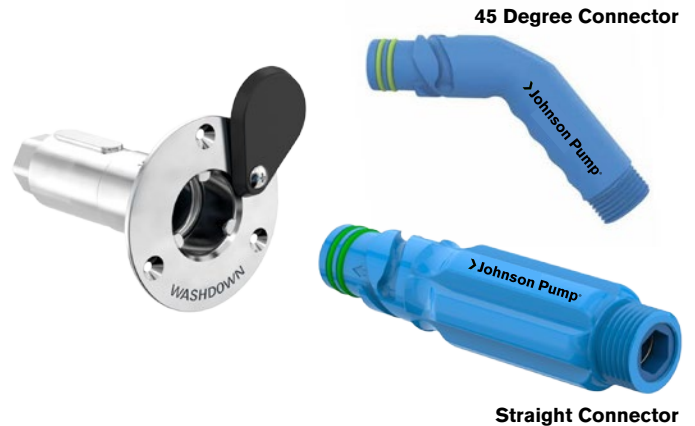
### FEATURES & BENEFITS

- Can be connected and disconnected without shutting off the pump
- Instant water access with a simple push & twist
- Dual check valves for reliable backflow prevention
- Install as an inlet or an outlet, horizontally or vertically, on your boat
- To configure outlet as an intake, remove the check valve
- Lead-free and corrosion resistant 316L stainless steel, leak-proof Viton® O-rings
- Spray hose connects via bayonet coupling
- Dual Viton O-rings for enhanced sealing
- Deck-mounted fitting with 1/2" BSP or NPT female thread
- Nylon bayonet coupling with 3/4" BSP or GHT male thread
- Ideal for any marine vessel or washdown application
- Polished stainless steel faceplate with "WASHDOWN" marking embossed and painted

### Durable, Marine-Grade Quick Connector for Tool-Free Hose Attachment

This high-quality quick connector provides a fast and secure connection point for your boat's deck wash hose. Designed for convenience and durability in marine environments, it allows you to attach or detach the washdown hose in seconds without shutting of the pump—no tools required.

Constructed from corrosion-resistant materials like 316L stainless steel and Acetal Resin Polymer, it ensures reliable performance even in saltwater conditions. A spring-loaded locking mechanism keeps the connection firm under pressure. In connection with a Johnson Pump Washdown pump, this quick connector is ideal for rinsing off gear, flushing decks, or general cleaning. This connector streamlines maintenance and keeps your vessel shipshape.

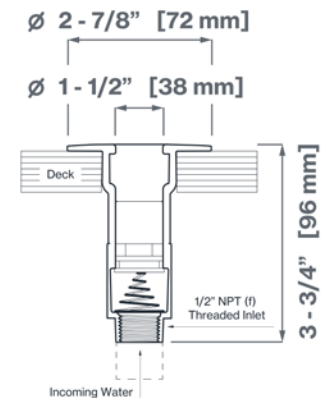
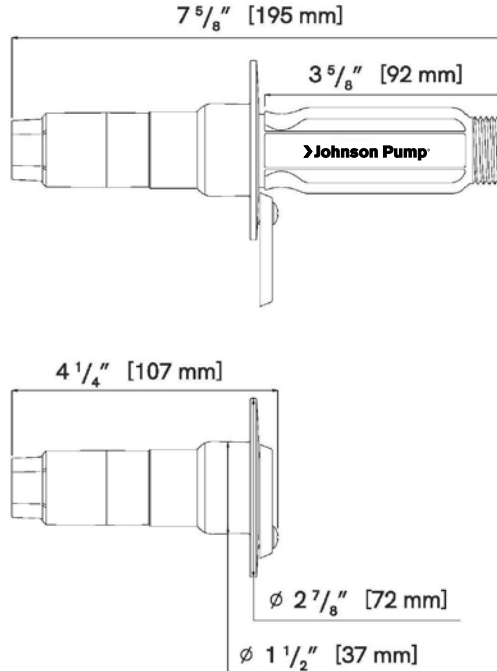
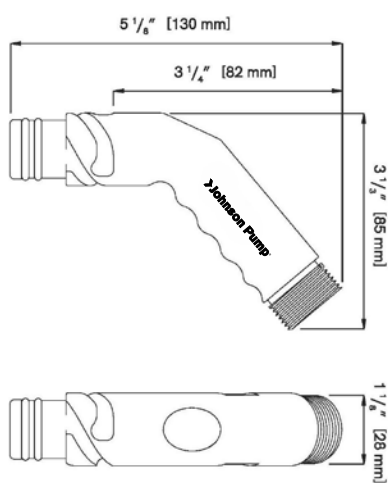


REGION	PART NUMBER	DESCRIPTION
EMEA/APAC	32-61121BSP	Deck Wash Quick Connector Kit - Straight Connector
EMEA/APC	32-61145BSP	Deck Wash Quick Connector Kit - 45 Degree Connector
AMER	JP-61121	Deck Wash Quick Connector Kit - Straight Connector
AMER	JP-61145	Deck Wash Quick Connector Kit - 45 Degree Connector

# TECHNICAL SPECIFICATIONS

## GENERAL INFORMATION

	P/N 32-61121BSP	P/N JP-61121	P/N 32-61145BSP	P/N JP-61145
	DECK WASH QUICK CONNECTOR KIT - STRAIGHT CONNECTOR		DECK WASH QUICK CONNECTOR KIT - 45 DEGREE CONNECTOR	
<b>COMMON USE</b>	Boats and Yachts			
<b>BACKFLOW PREVENTION</b>	Yes, Built-in Check Valve			
<b>ENTRY HOLE</b>	25.4 mm	1.5"	25.4 mm	1.5"
<b>INLET</b>	1/2" BSP (f)	1/2" NPT (f)	1/2" BSP (f)	1/2" NPT (f)
<b>OUTLET</b>	3/4" BSP (m)	3/4" GHT (m)	3/4" BSP (m)	3/4" GHT (m)
<b>OPERATING TEMPERATURE</b>	0.6-60°C	33-140°F	0.6-60°C	33-140°F
<b>OPERATING WATER PRESSURE</b>	1.7-8.6 bar	25-125 psi	1.7-8.6 bar	25-125 psi
<b>FLOW RATE</b>	25 lpm @ 3.59 bar	6.8 gpm @ 52 psi	25 lpm @ 3.59 bar	6.8 gpm @ 52 psi
<b>PLUMBING COMPATIBILITY</b>	All (PEX recommended)			
<b>HYDRANT MATERIAL</b>	316L Stainless Steel			
<b>CONNECTOR MATERIAL</b>	Acetal Resin Polymer			
<b>O-RING MATERIAL</b>	Fluorocarbon Rubber			
<b>COVER MATERIAL</b>	ASA Thermoplastic			
<b>WARRANTY</b>	5 years			



SPX FLOW, Inc. reserves the right to incorporate our latest design and material changes without notice or obligation. Design features, materials of construction and dimensional data, as described in this bulletin, are provided for your information only and should not be relied upon unless confirmed in writing. Please contact your local sales representative for product availability in your region. The green "➤" is a trademark of SPX FLOW, Inc.

For more information, visit [www.johnsonpumpmarine.com](http://www.johnsonpumpmarine.com).