

Aqua Void Ultima Combo Pumps



MODELS: 10-13635-01, 10-13635-02, 10-13636-01, 10-13636-02

FORM NO.: 96-36490-01

REVISION: 12/12/2023

For more information about our worldwide locations, approvals, certifications, and local representatives, please visit www.spxflow.com. SPX FLOW, Inc. reserves the right to incorporate our latest design and material changes without notice or obligation. Design features, materials of construction and dimensional data, as described in this bulletin, are provided for your information only and should not be relied upon unless confirmed in writing.

Applicable standards

ISO 8846, ISO 8849, ISO 55014, ABYC-H22

Warranty Information US: SPX FLOW Inc. 5885 11th Street Rockford, IL 61109-3699 warrants to the original consumer purchaser that this product will be free from defects in material and workmanship, providing that the case is not opened or the pump otherwise abused for a period of three (3) year from the date originally purchased. The exclusive remedy of the consumer purchaser in the event the product does not meet this express Limited Warranty is to return the pump to ORIGINAL LOCATION OF PURCHASE or THE AUTHORIZED SPX FLOW JOHNSON PUMP RETAILER with your sales receipt. IMPORTANT: FOR THIS WARRANTY TO BE EFFECTIVE, THE SPX FLOW JOHNSON PUMP AUTHORIZED RETAILER MUST BE SUPPLIED WITH THE ORIGINAL PURCHASE DATE OF THE PRODUCT. THE ACCEPTANCE BY SPX FLOW JOHNSON PUMP AUTHORIZED RETAILER OF ANY PRODUCT RETURNED SHALL NOT BE DEEMED AN ADMISSION THAT SUCH PRODUCT IS DEFECTIVE OR IN VIOLATION OF ANY WARRANTY. THE COMPANY RESERVES THE RIGHT TO REPAIR OR REPLACE THE PRODUCT. NO REPRESENTATIVE OR OTHER PERSON IS AUTHORIZED TO ASSUME FOR SPX FLOW JOHNSON PUMP ANY ADDITIONAL LIABILITY IN CONNECTION WITH THE SALE OF ITS PRODUCTS OR TO ALTER THIS WARRANTY IN ANY WAY. IN NO EVENT WILL SPX FLOW JOHNSON PUMP BE LIABLE FOR MORE THAN THE SALES PRICE OF THE PRODUCT. UNDER NO CIRCUMSTANCES WILL SPX FLOW JOHNSON PUMP BE LIABLE FOR ANY LOST PROFITS, INCIDENTAL OR CONSEQUENTIAL COSTS, EXPENSES, OR DAMAGES. THE LIMITATION ON LIABILITY FOR LOST PROFITS, INCIDENTAL OR CONSEQUENTIAL COST EXPENSES OR DAMAGES SHALL SURVIVE ANY FAILURE OF ESSENTIAL PURPOSE OF THIS LIMITED WARRANTY. Some states do not allow the exclusive or limitation of incidental or consequential damages, so the above limitation may not apply to you. NO EXPRESS OR LIMITED WARRANTY, INCLUDING WARRANTY OF MERCHANTABILITY AND FITNESS SHALL EXTEND FOR ANY PERIOD OF TIME GREATER THAN THREE (3) YEARS FROM THE DATE OF ORIGINAL PURCHASE OF THIS PRODUCT. Some states do not allow limitation on how long an implied warranty lasts so the above limitation may not apply to you. CAUTION - Warranty void if seal on product is broken, if any electric cord is cut, if electric splices become submerged, or if product is installed contrary to instructions or warnings.



Designed by SPX FLOW Johnson Pump®
Assembled in Poland

RELIABILITY ON BOARD
-SINCE 1968-

Submersible Bilge Pump with Ultima Switch

Submersible bilge pump for pumping bilge water in marine environment. To be installed in the bilge.

Security

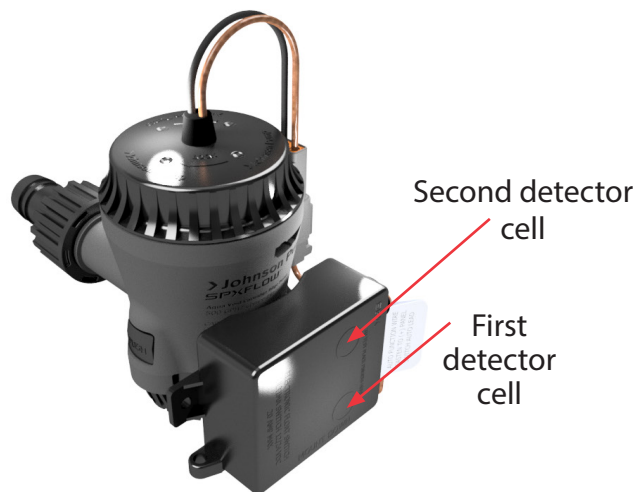
- The pump may not be used for other liquid than water / bilge water,
- Always install the pump according to wiring diagram,
- Always use the fuse required,
- The wire connections must be sealed with a marine sealant,
- Insulation or cable sheathings must be placed above the highest bilge water level,
- Do not run dry

Operation

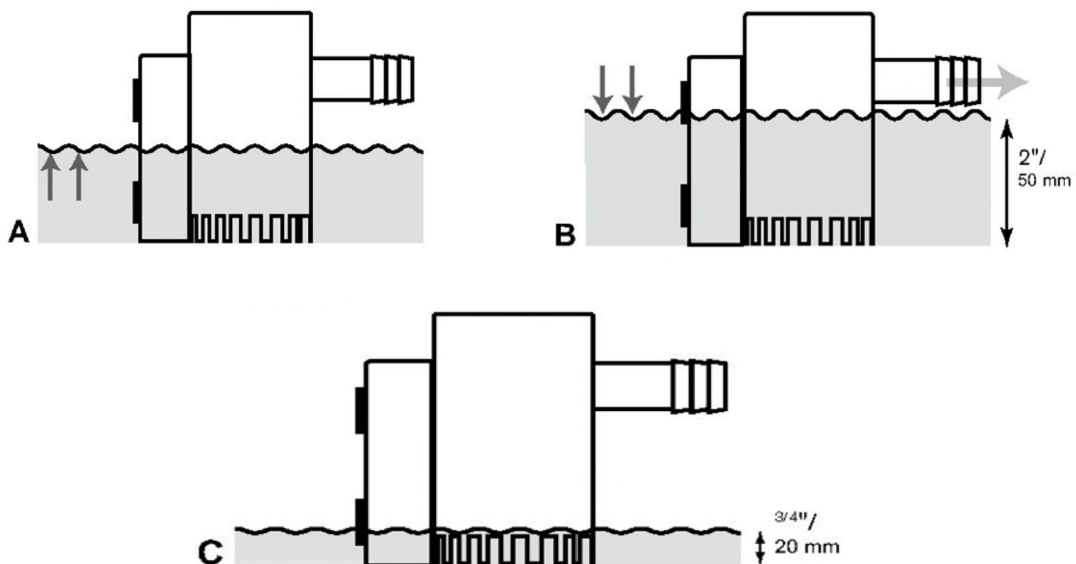
See illustration below:

1. When the bilge water rises and reaches the second detector cell at 50 mm the switch starts the pump with a 3 seconds delay

2. When the water level has sunk to a level of 20mm and the first detector cell is above the water level, the pump is stopped.

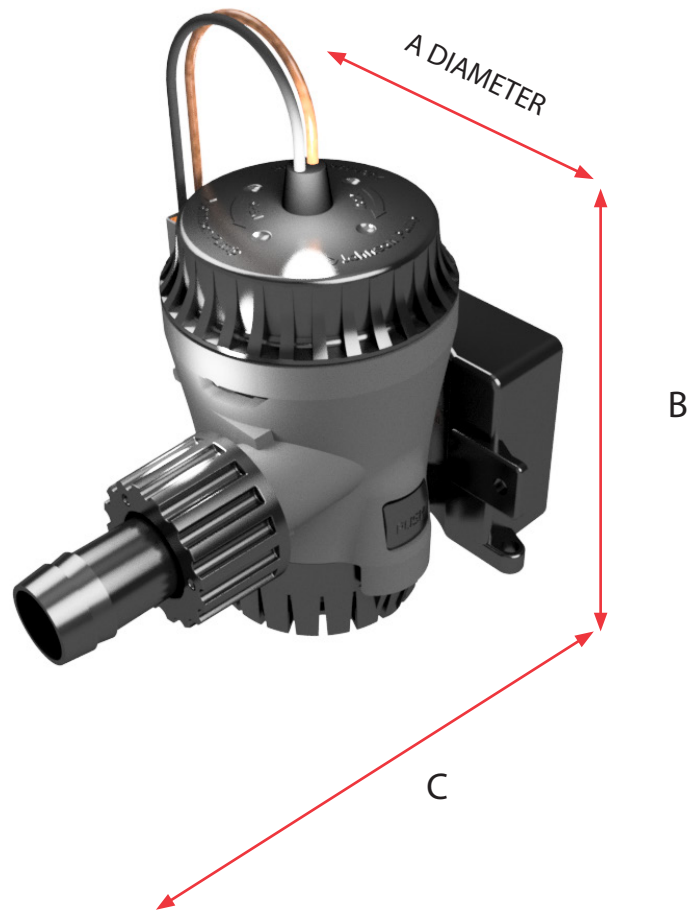


Aqua Void Ultima Combo - Pump operation



Aqua Void Ultima Combo - Basic data

	500 GPH	800 GPH	Description
1.	19 mm/ 3/4"	19 mm/ 3/4"	Hose size
2.	ISO: 38 l/min, 600 GPH	ISO: 50 l/min, 795 GPH	Capacity, straight (12V, ISO 8849)
	ABYC: 38 l/min, 600 GPH	ABYC: 50 l/min, 795 GPH	Capacity, straight (ABYC H-22)
3.	ISO: 26 l/min, 410 GPH	ISO: 35 l/min, 560 GPH	Capacity, 1m head (12V, ISO 8849)
	ABYC: 23 l/min, 365 GPH	ABYC: 32 l/min, 510 GPH	Capacity, 1m head (ABYC H-22)
4.	ISO: 16 l/min, 250 GPH	ISO: 26 l/min, 405 GPH	Capacity, 2m head (12V, ISO 8849)
	ABYC: 14 l/min, 225 GPH	ABYC: 24 l/min, 375 GPH	Capacity, 2m head (ABYC H-22)
5.	3,0 m / 9.9 ft	4,4 m / 14.5 ft	Capacity, MAX head (12V, ISO 8849, ABYC H-22)
6.	12V	12V	Voltage
7.	2,7 A	3,7 A	Amperage
8.	3,5 A	5 A	Fuse size
9.	(B) 119 mm/4.69"	(B) 119 mm/4.69"	Height
10.	(A) 69,8 mm/2.75"	(A) 69,8 mm/2.75"	Max. diameter
	(C) 151 mm/5.94"	(C) 151 mm/5.94"	
11.	0,32 kg/ 11.2 oz	0,36kg/ 12.6 oz	Weight
12.	16GA /1,3 mm ²	16GA /1,3 mm ²	Wire cross section area



Aqua Void Ultima Combo - Materials

ITEM	MATERIAL
Pump Housing	ABS
Filter Basket	ABS
Dura-Port Nut	PA66/GF - Nylon
Dura-Port Sleeves	PA66/GF - Nylon
Gasket	Nitrile Rubber
Check Valve	Nitrile Rubber
Motor Cartridge	PC-ABS
Motor Shaft	316 Stainless Steel
Shaft (Lip) Seal	Nitrile Rubber
O-ring	Nitrile Rubber
Cable	Tinned Anticapillary Wire

Aqua Void Ultima Combo - Installation instructions

INSTALLATION

Please follow the installation instructions carefully to assure maximum efficiency in your bilge pump operation.

1. Mount the pump in the lowest point of the bilge by securing it with screws mounted in appropriate holes in basket and ultima switch,
2. Select a discharge point where the bilge water is to be pumped overboard as high as possible above the water line and at the shortest distance from the pump. Install a 19mm/3/4" thru-hull fitting,
3. Fasten a 19mm/3/4" internal diameter fuel resistant hose from the pump outlet to the thru-hull discharge fitting. Avoid any sharp bends, sags or loops. Support the hose if necessary.

Electrical installation

See electrical diagram on page 9. Any type of marine peripherals can be used, but wiring order needs to be followed strictly in order to make product work properly.

For motor cartridge installation see page 7.

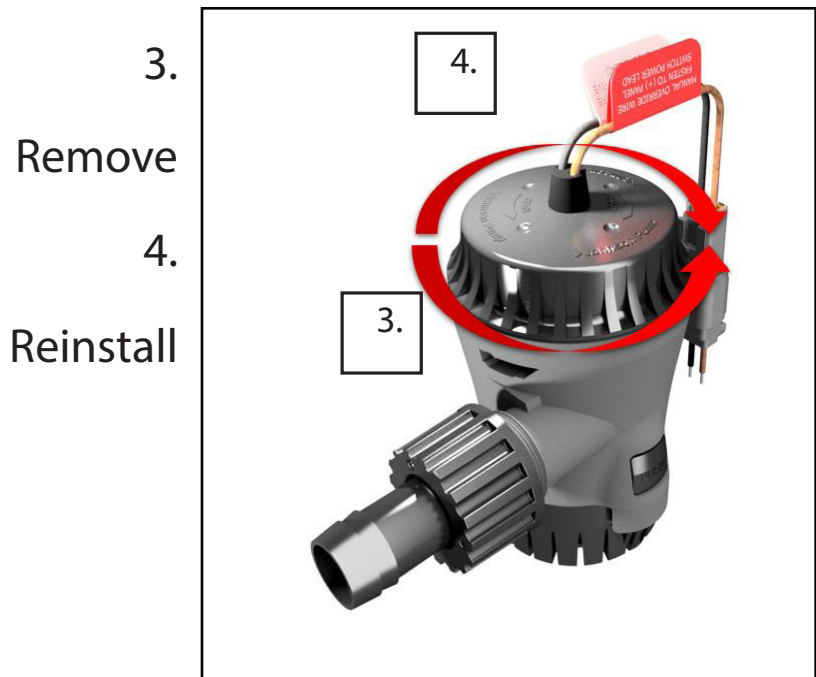
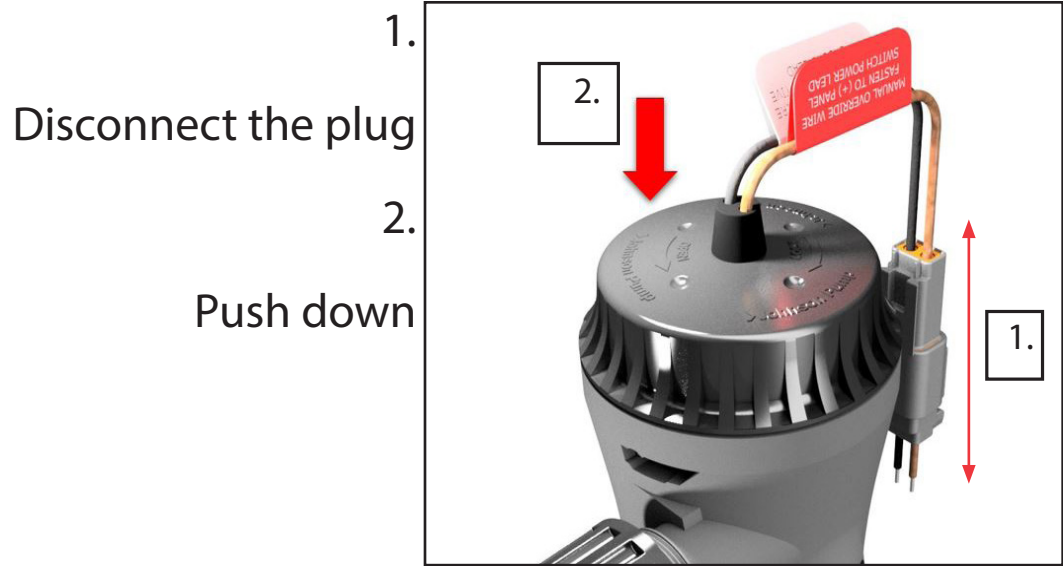
1. Disconnect male and female plug part from each other,
2. Push down and rotate the top cover in a counter clockwise direction and lift out.
3. To reinstall, first make sure that the o-ring seal is properly located. Coat the o-ring seal with Food Grade Synthetic Grease (NSF H1), then align the two cams on either side of the motor cartridge with the two slots in the outer housing.
4. Press down firmly and twist in a clockwise rotation until the lock-notch clicks securely into the lock groove position.

To remove or replace filter basket follow instructions from page 8.

1. Push both retention tabs inward.
2. Pull pump housing and filter basket apart while retention tabs are depressed.

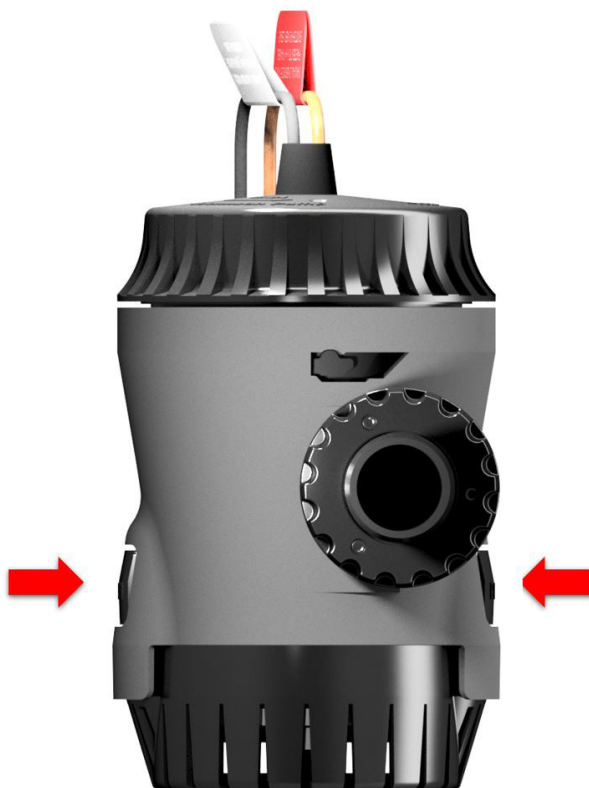
INFORMATION: Bilge pump is equipped with anti-air lock feature.

Aqua Void Ultima Combo - Cartridge motor replacement



Aqua Void Ultima Combo - Pump installation

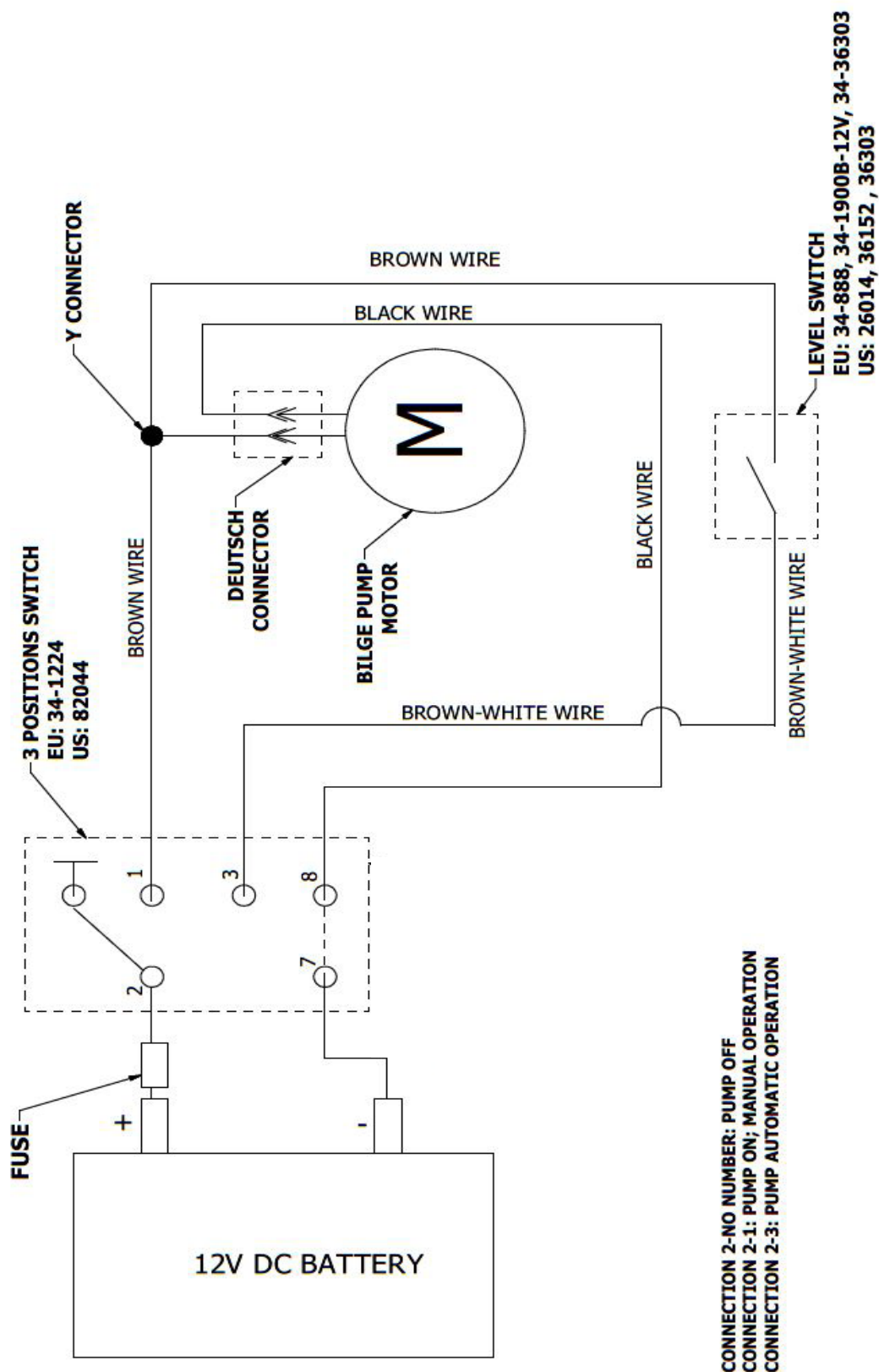
1.
Push Tabs Inwards



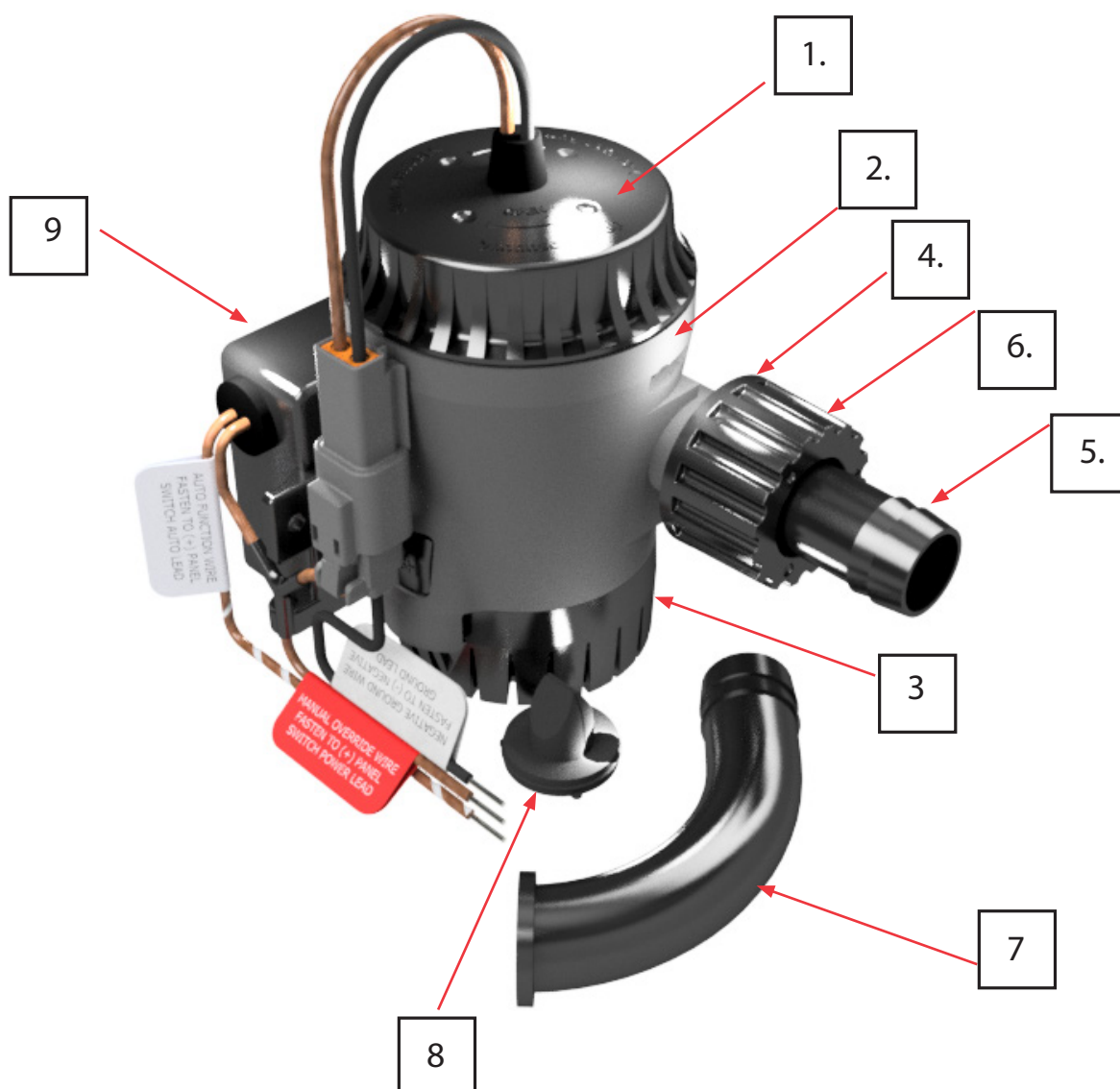
2.
Pull Apart



Aqua Void Ultima Combo - Pump electrical installation



Aqua Void Ultima Combo - Assembly breakdown



ITEM	QTY	DESCRIPTION
1	1	PUMP CARTRIDGE MOTOR
2	1	PUMP HOUSING LF
3	1	BILGE PUMP BASKET
4	1	SMALL DURAPORT GASKET
5	1	DURAPORT SLEEVE SMALL
6	1	DURAPORT NUT SMALL
7	1	SMALL DURAPORT SLEEVE - 90 DEG.
8	1	CHECKVALVE
9	1	ULTIMA SWITCH

Aqua Void Ultima Combo - Accessories

CHECK VALVE

The check valve is used to reduce repetitive pump on/off cycling by preventing back-flow of water from returning to the bilge. When the check valve is installed, the gasket is not required. The check valve is installed between the pump housing and duraport nut/sleeve. The protruding shape of the valve can be inserted into the duraport sleeve in the direction of water flow, which is then fastened to the pump using the duraport nut. The flat face of the valve will seal against the face of the pump threaded region when fastened together.

NOTE

Installation of the check valve can reduce performance of the pump up to 30% as it creates additional flow restriction.



ACCESSORIES

It is possible to order accessories for bilge pump. Mentioned accessories extend functions and add new possibilities for the pump. Good example of an accessory is a check valve described earlier. All available accessories sets are presented in table below:

PRODUCT	CONTAINS	PART NUMBER.
Straight Dura Port Assembly	6 + 5 + 4	09-36422
90 Degree Dura Port Assembly	6 + 7 + 4	09-36423
Check Valve	8	09-36426



Straight Dura Port Assembly



90 Degree Dura Port Assembly



Check Valve

› Johnson Pump®



INSTRUCTION
MANUALS



DOWNLOADS



Aqua Void Ultima Combo

Models: 10-13635-01, 10-13636-02. 10-13636-01, 10-13636-02

SPXFLOW

Sweden +46 19 21 83 10
johnson-pump.marine@spxflow.com

United States +1 847 671-7867
jp-customerservice@spxflow.com

Australia +61 03 9589 9222
ft.aus.cs@spxflow.com

www.spxflow.com

Improvements and research are
continuous at SPX FLOW, Inc.
Specifications may change
without notice.

ISSUED 12/2023
Form No.: 96-36490-01
Revision: R03

Copyright ©2022 SPX FLOW, Inc.